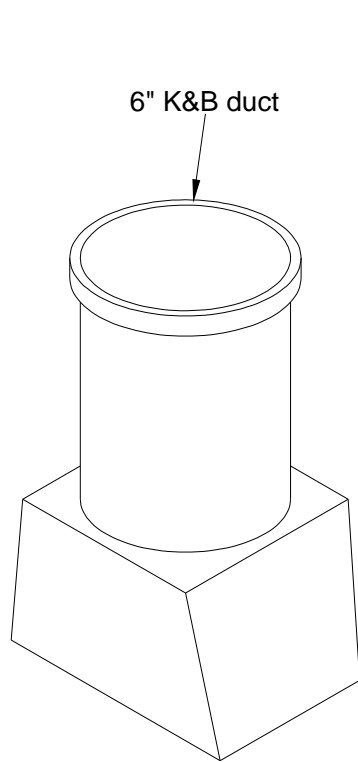
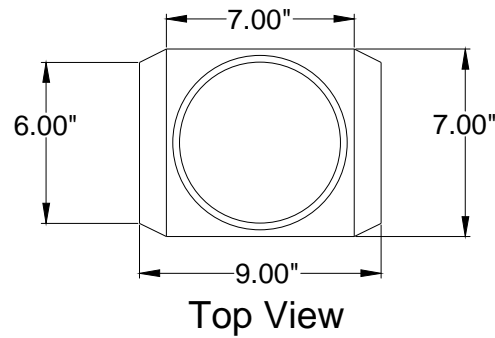


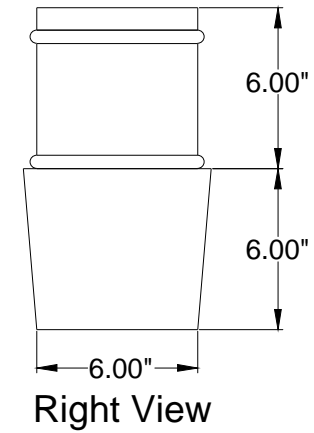
# Bristol 6" x 9" Hood



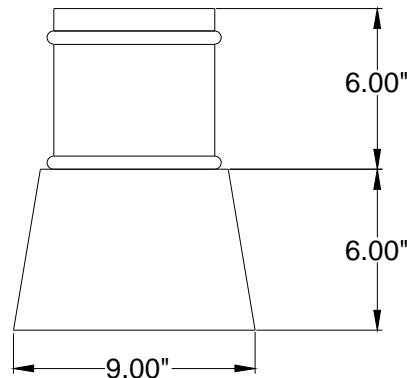
Isometric View



Top View



Right View



Side View

Notes:

1. Airtight hood
2. Outlet to be 6" K&B duct

Avani Environmental Intl.  
 95 Cypress Drive  
 Youngsville, NC 27596  
 P# 919-570-2862 F# 919-570-2863

**Avani**

Project: Bristol Hot Header

Drawing: 6" x 9" Hood

Date: 12/26/12

Drawn by:MDT

Sheet No: 1 Of 1

Rev.: 0