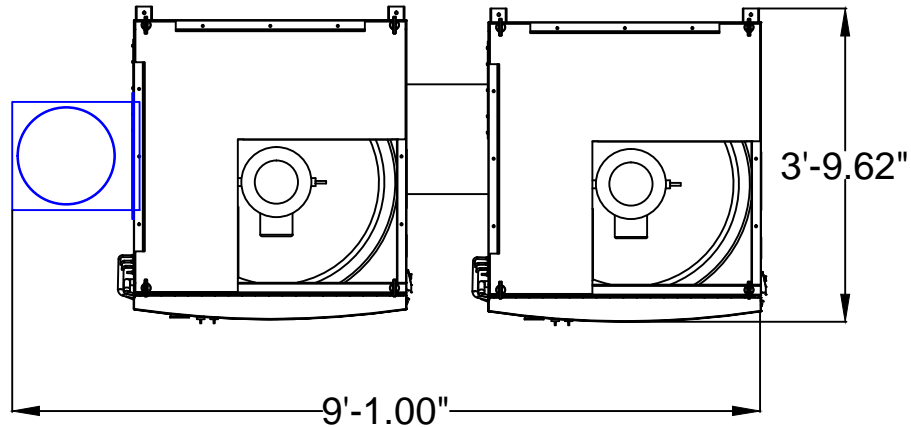
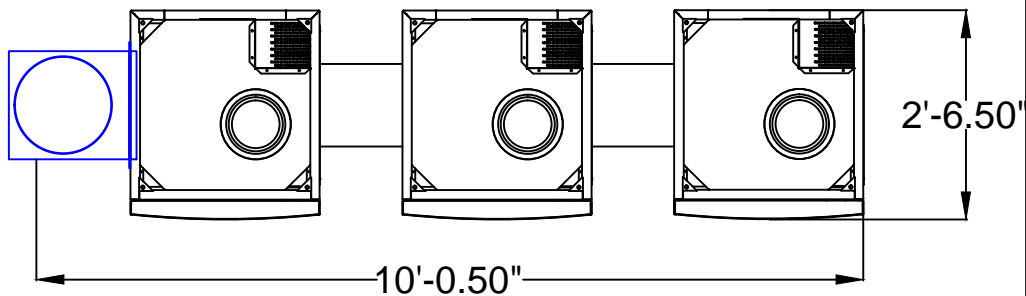


IAF Truform Collector Footprints



(2) ODR-3000 (A-mist 40)



(3) ODR-2000 (A-mist 20)

Avani Environmental Intl.
95 Cypress Drive
Youngsville, NC 27596
P# 919-570-2862 F# 919-570-2863

Avani

Project: IAF Truform

Drawing: Collector Footprints

Date: 3/7/2013

Drawn by:MDT

Sheet No: 1 Of 1