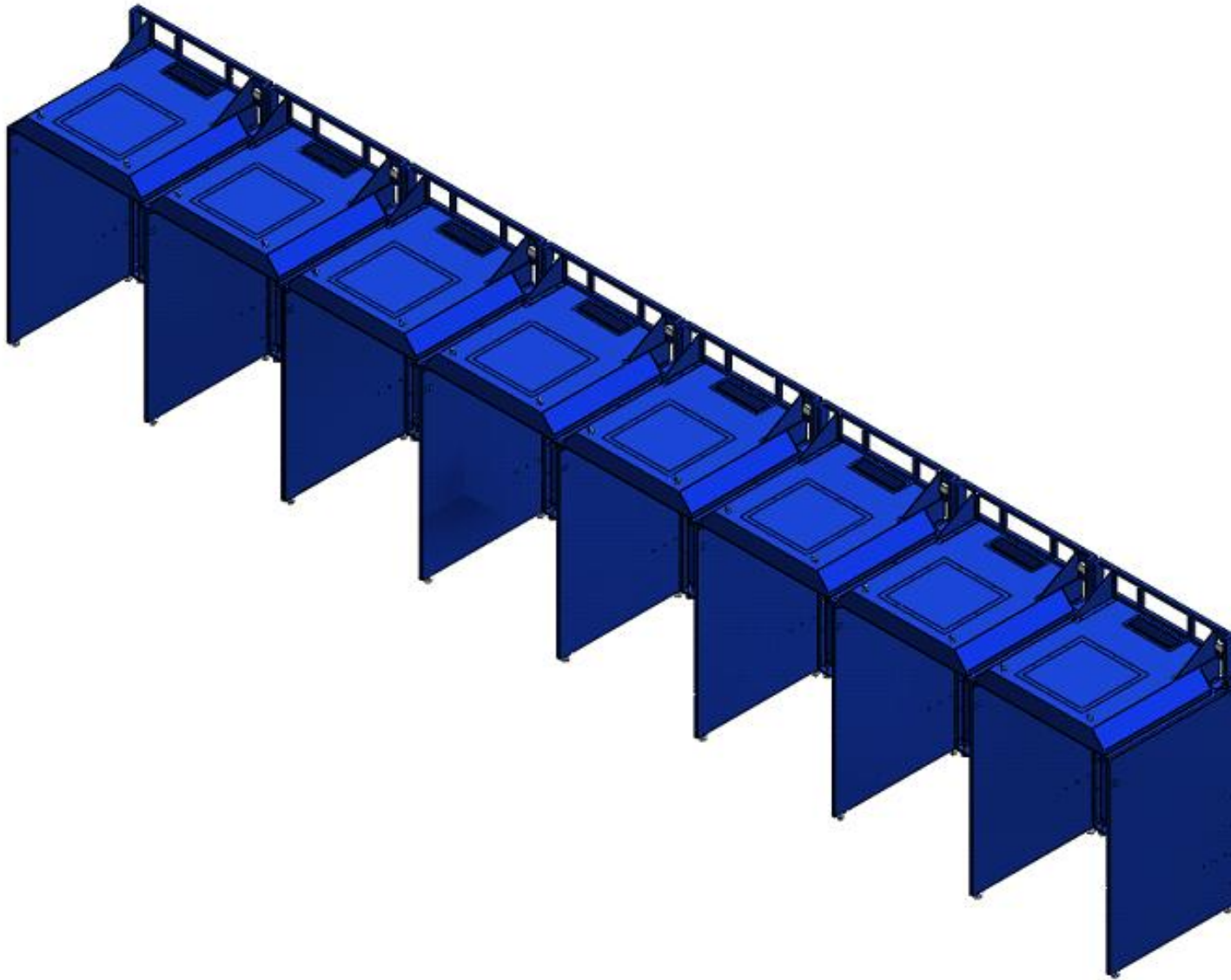




**✚ Installations for WB-5055 (8 booths side by side).**



## ✦ Installations for WB-5055 (8 booths side by side).

- Take out **Upper Part of the Backdraft** and **Lower Part of the Backdraft**.
- Join **Upper Part of the Backdraft** and **Lower Part of the Backdraft** together with:

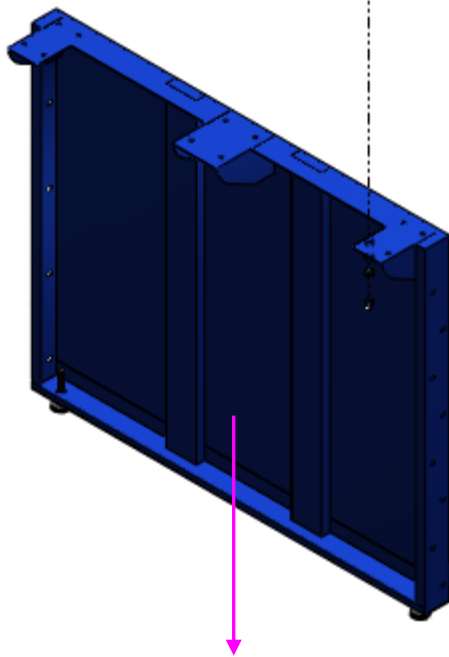
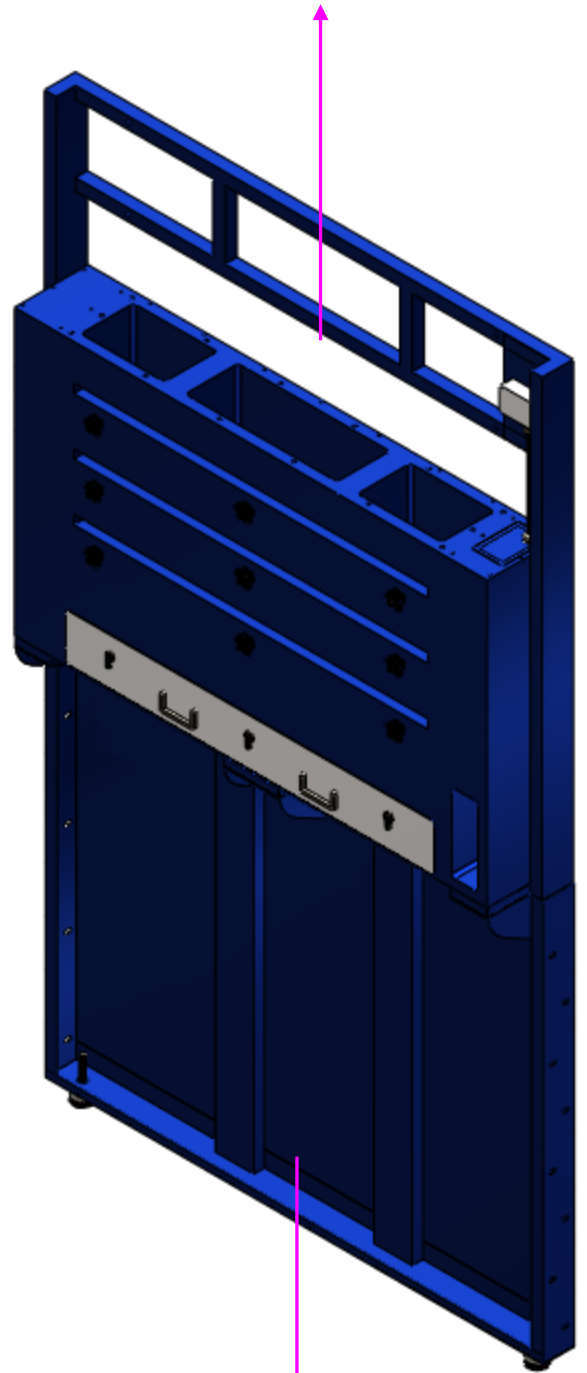
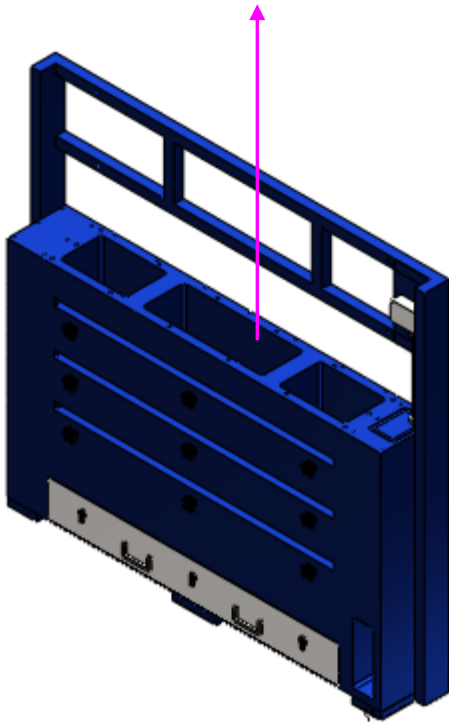
Hardware R				
Part name	Description	Photos	Q'ty	Grainger Model #
Hex Screw	5/16 x 3/4"		96	1YU33
Flat Washer	5/16" x OD23 x 2T		128	*1JY31

(\*) Hardware item at similar spec available locally.

# ✦ Installations for WB-5055 (8 booths side by side).

Upper Part of the Backdraft

Upper Part of the Backdraft

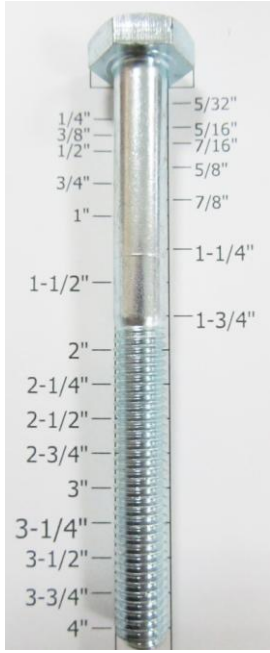




Lower Part of the Backdraft

Lower Part of the Backdraft

## ✦ Installations for WB-5055 (8 booths side by side).

- Take out **Left Side Panel**.
- Fasten **Left Side Panel** to **Upper Part of the Backdraft** and **Lower Part of the Backdraft** together with:

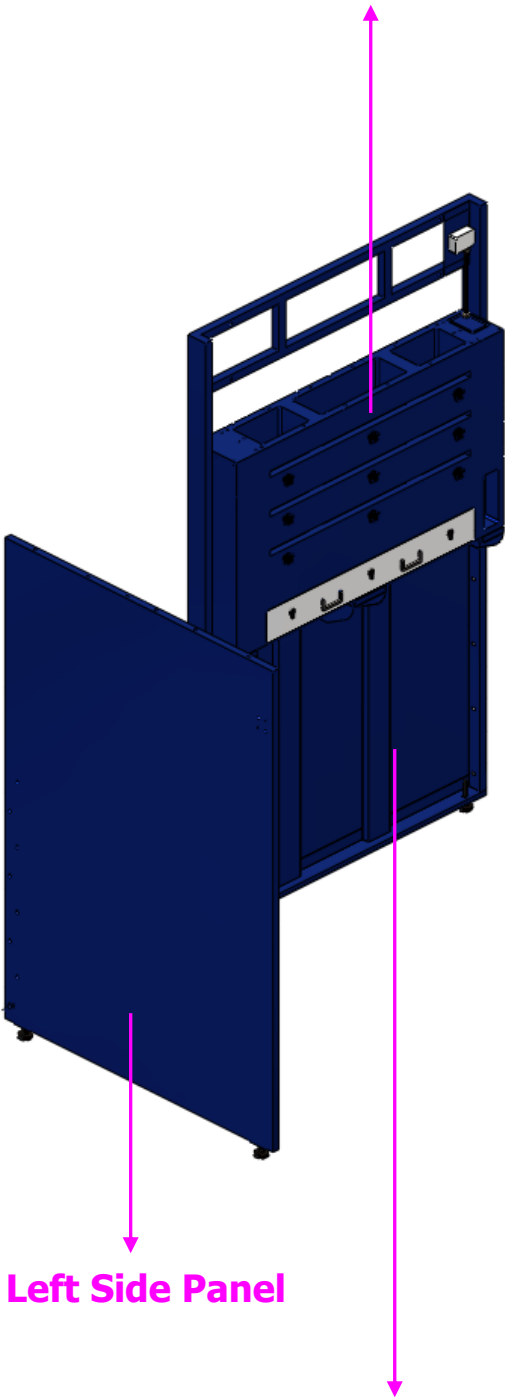
Hardware C				
Part name	Description	Photos	Q'ty	Grainger Model #
Hex Screw (Partially Threaded)	3/8 x 4"		8	1KA62
Flat Washer	3/8" x OD23 x 2T		16	*1JY33
Nylon Hex Nut	3/8"		8	3H DU4

(\* Hardware item at similar spec available locally.

# ✦ Installations for WB-5055 (8 booths side by side).


Upper Part of the Backdraft

Upper Part of the Backdraft



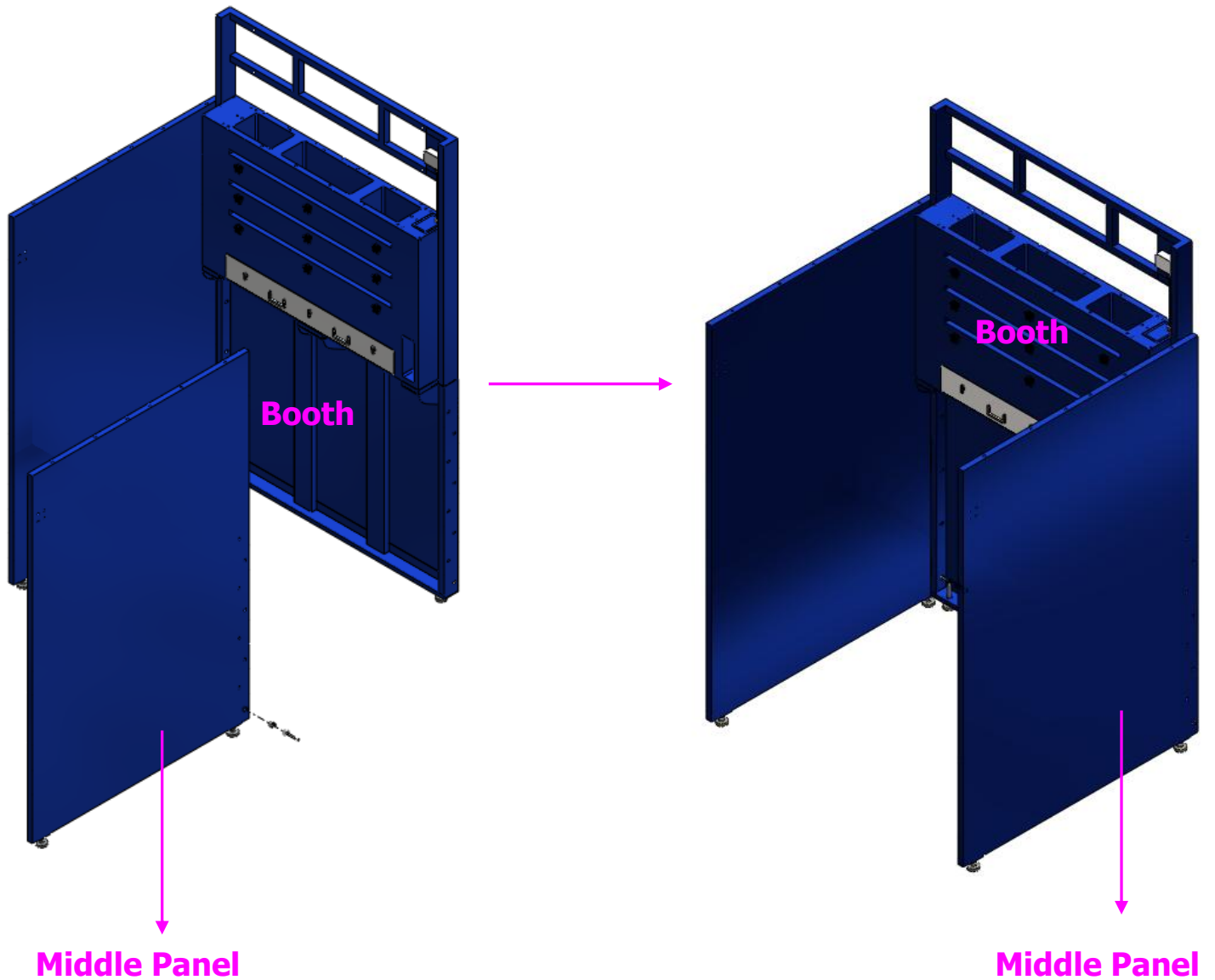
## ✦ Installations for WB-5055 (8 booths side by side).

- Take out **Middle Panel** and **booth**.
- Join **Middle Panel** and **Booths** together with :

Hardware E				
Part name	Description	Photos	Q'ty	Grainger Model #
Half-thread Screw	3/8 x 5-1/2"		70	1KA68
Flat Washer	3/8" x OD23 x 2T		140	*1JY33
Nylon Hex Nut	3/8"		70	3HDU4

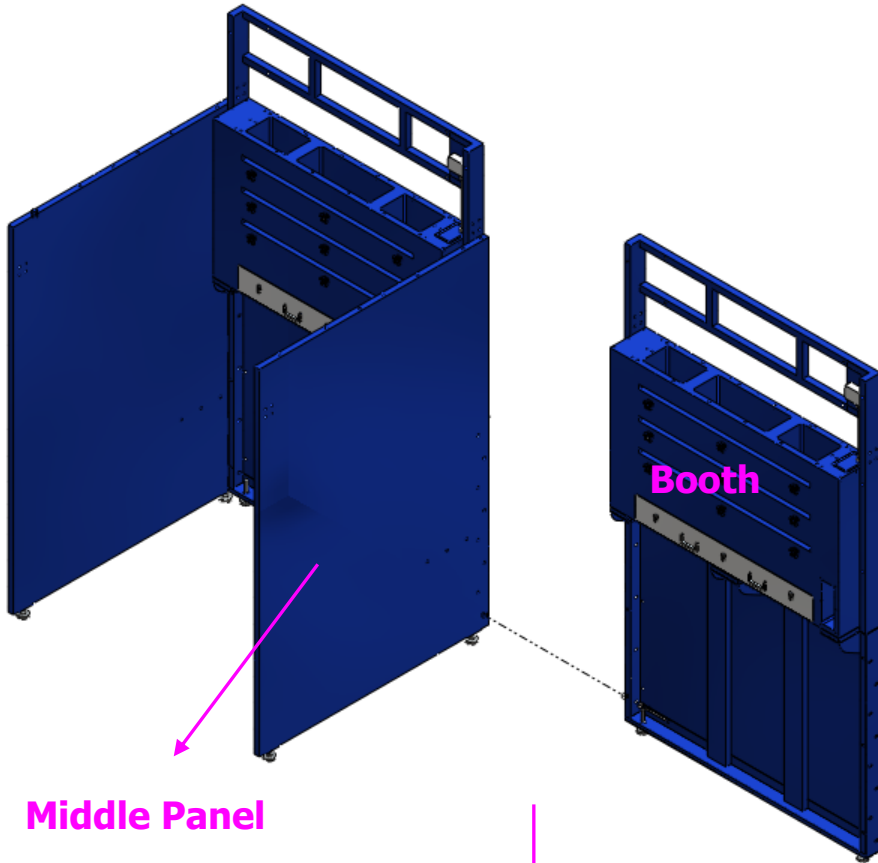
(\* Hardware item at similar spec available locally.

## ✦ Installations for WB-5055 (8 booths side by side).



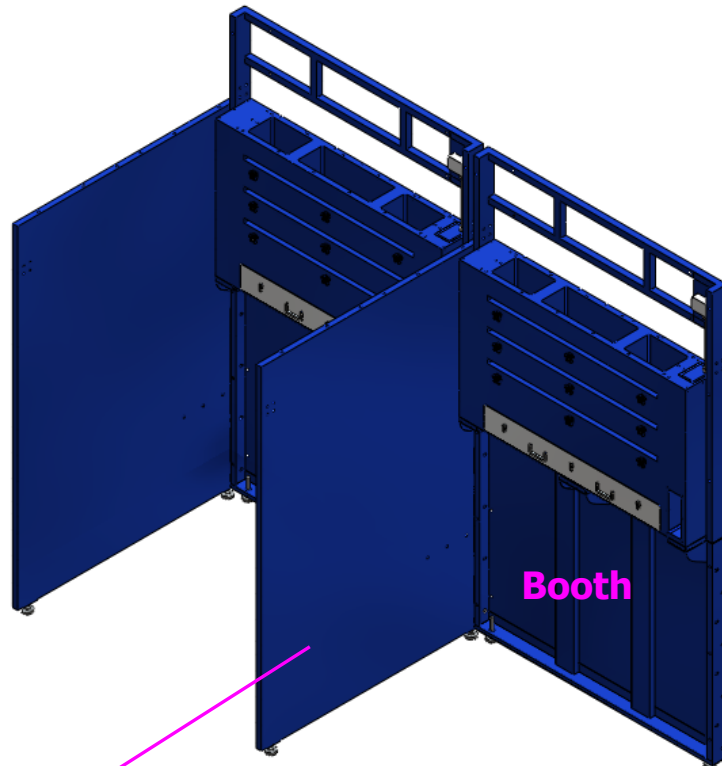
Ⓢ **Note: do not completely tighten the hardware at this time. After all Middle Panels are in position, ensure all holes patterns match. Then, proceed fastening.**

**✦ Installations for WB-5055 (8 booths side by side).**



**Middle Panel**

**Booth**



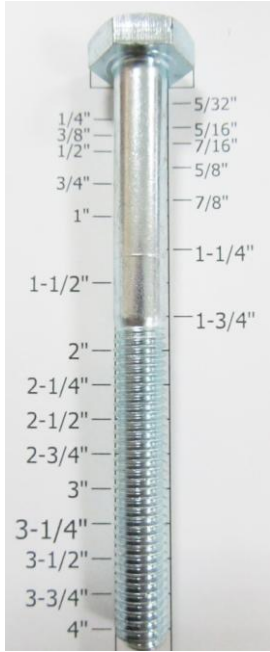


**Middle Panel**

**Booth**



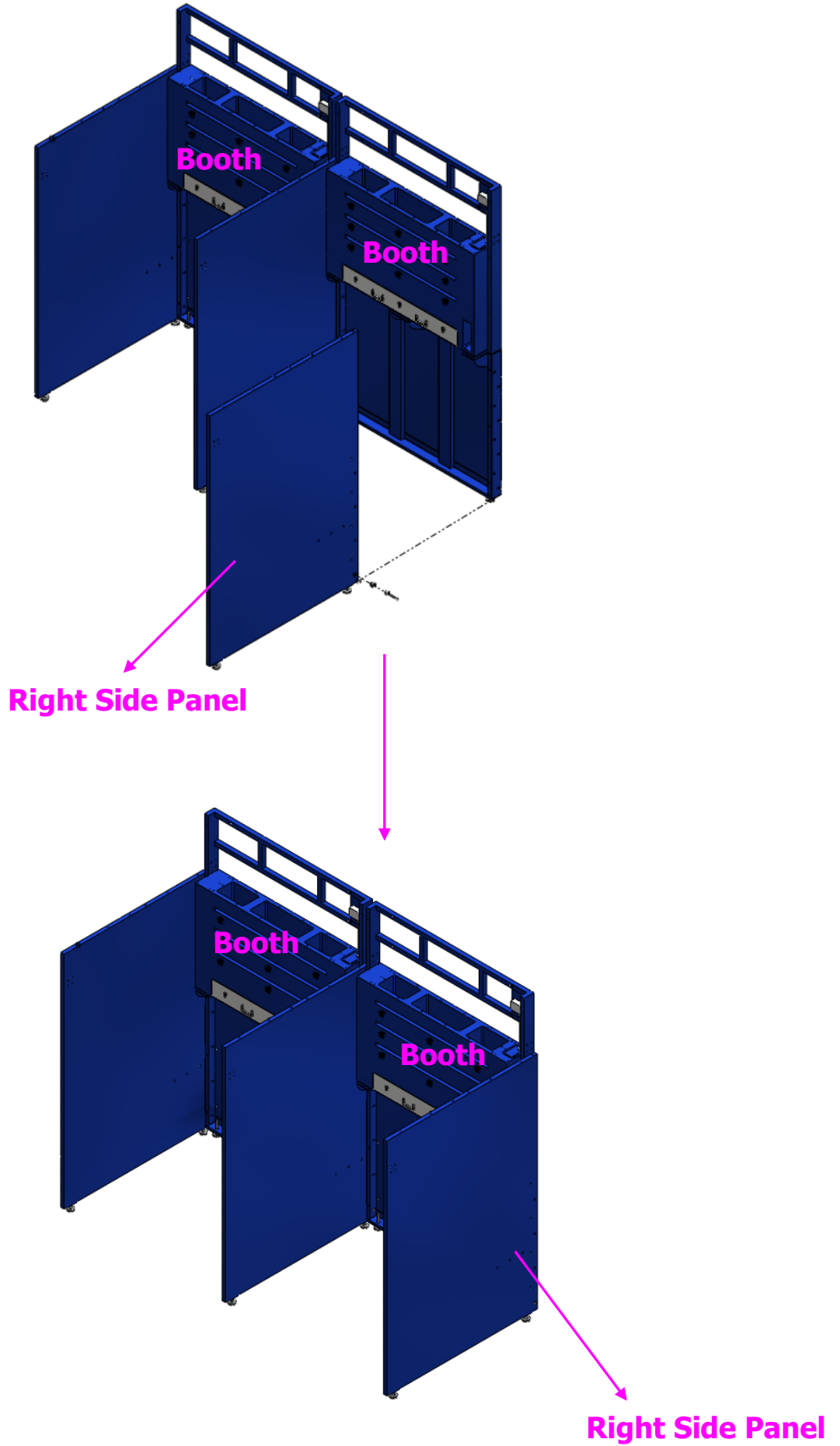
## ✚ Installations for WB-5055 (8 booths side by side).

- Take out **Right Side Panel**.
- Fasten **Right Side Panel** adjacent to **Booth** with:

Hardware D				
Part name	Description	Photos	Q'ty	Grainger Model #
Half-thread Screw	3/8 x 4"		8	1KA62
Flat Washer	3/8" x OD23 x 2T		16	*1JY33
Nylon Hex Nut	3/8"		8	3HDU4

(\* Hardware item at similar spec available locally.

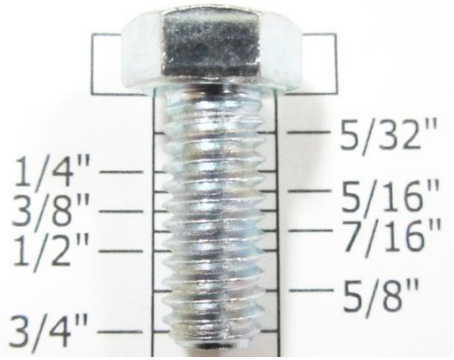

**✦ Installations for WB-5055 (8 booths side by side).**



## ✦ Installations for WB-5055 (8 booths side by side).

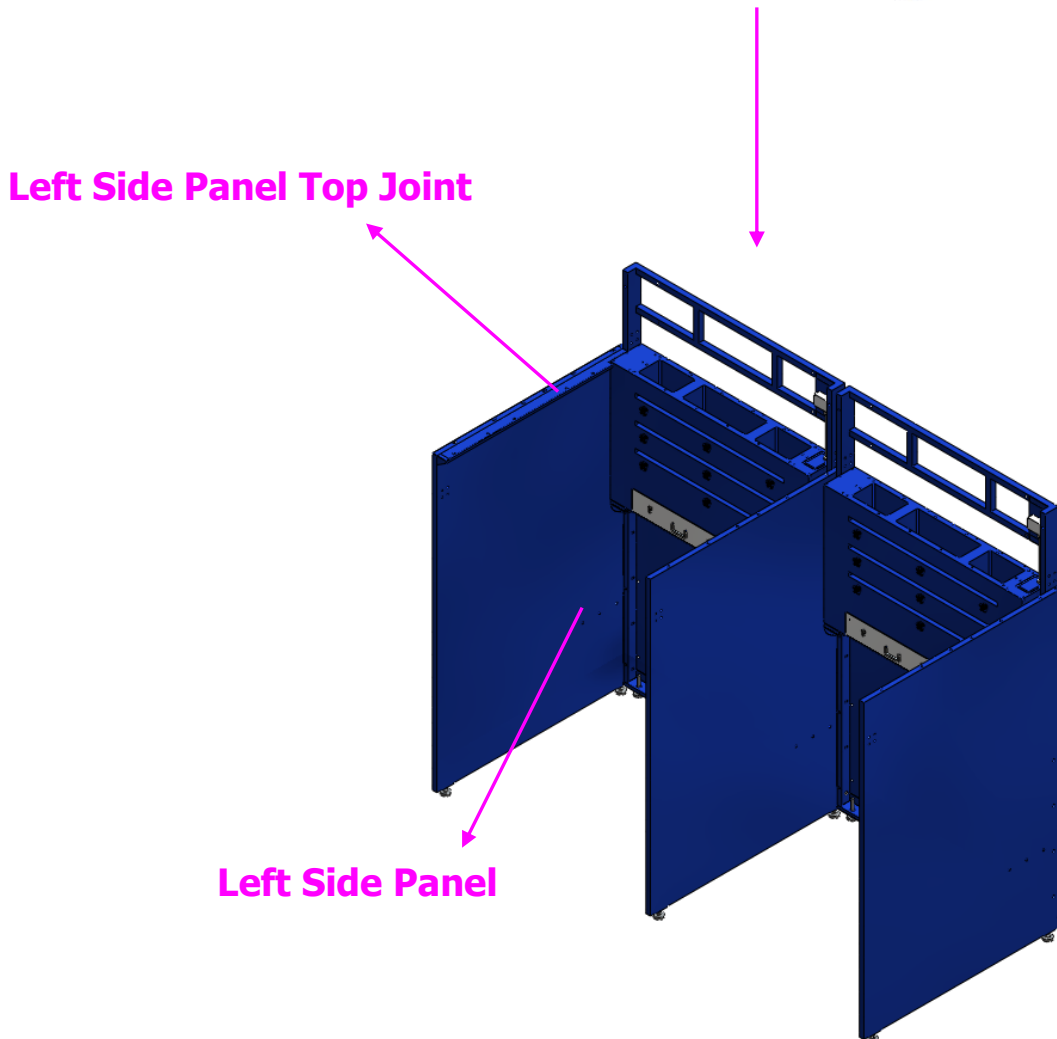
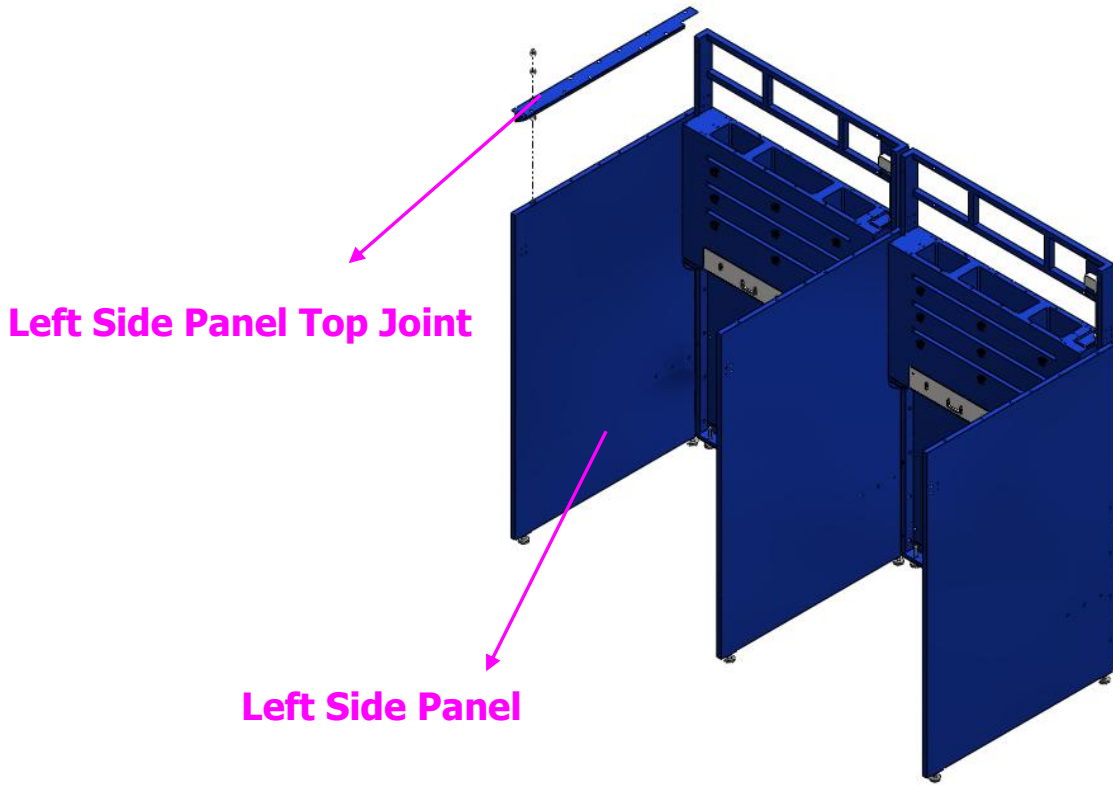
- Take out **Left Side Panel Top Joint**.
- Fasten **Left Side Panel Top Joint** adjacent to **Left Side**

**Panel** with:

Hardware J				
Part name	Description	Photos	Q'ty	Grainger Model #
Hex Screw	5/16 x 3/4"		6	1YU33
Flat Washer	5/16" x OD23 x 2T		6	*1JY31

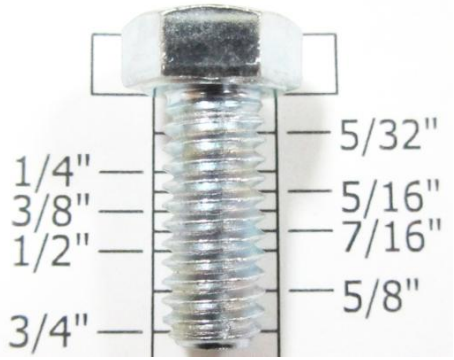

(\* Hardware item at similar spec available locally.

# ✦ Installations for WB-5055 (8 booths side by side).



## ✦ Installations for WB-5055 (8 booths side by side).

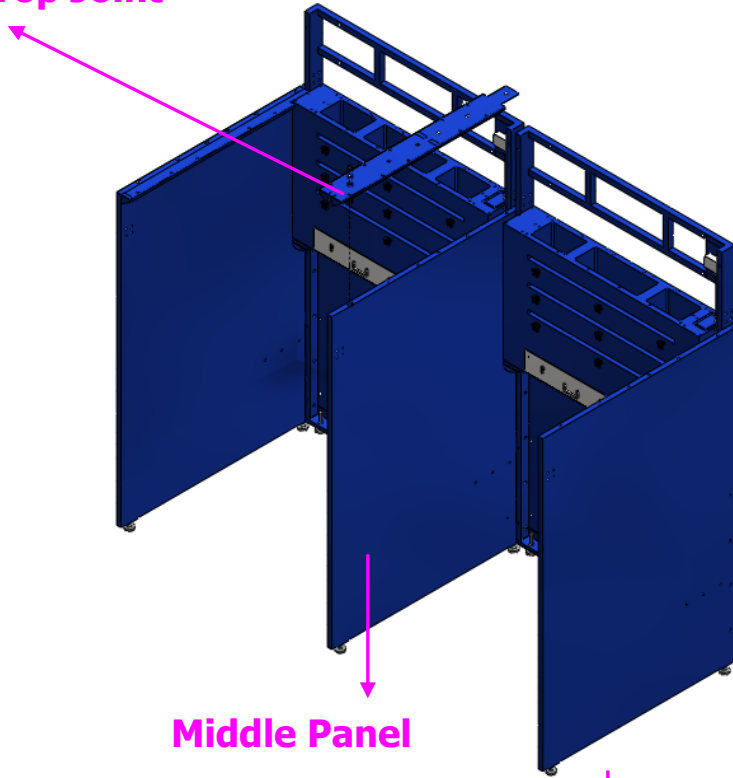
- Take out **Middle Panel Top Joint**.
- Fasten **Middle Panel Top Joint** adjacent to **Middle Panel** with:

Hardware K				
Part name	Description	Photos	Q'ty	Grainger Model #
Hex Screw	5/16 x 3/4"		42	1YU33
Flat Washer	5/16" x OD23 x 2T		42	*1JY31

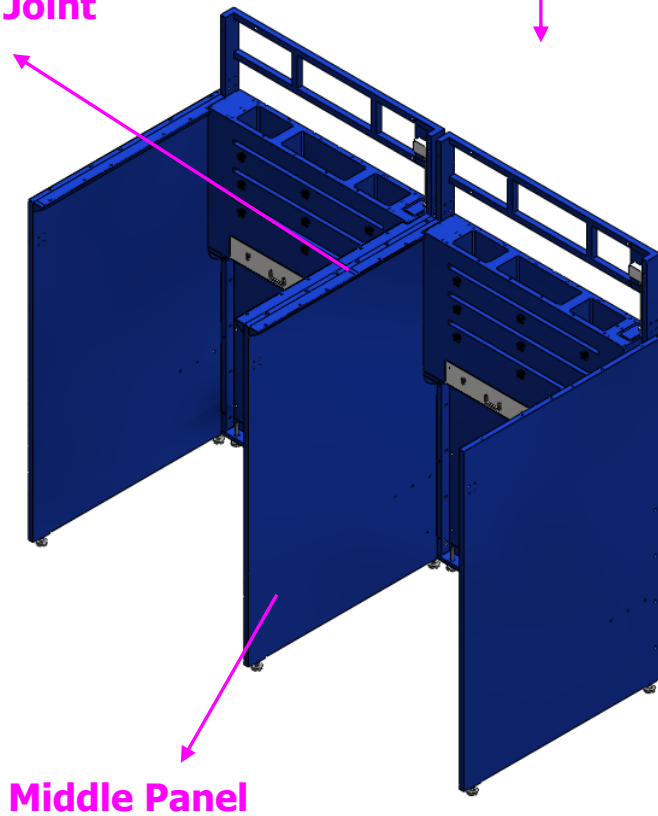
(\* Hardware item at similar spec available locally.

# ✦ Installations for WB-5055 (8 booths side by side).

Middle Panel Top Joint

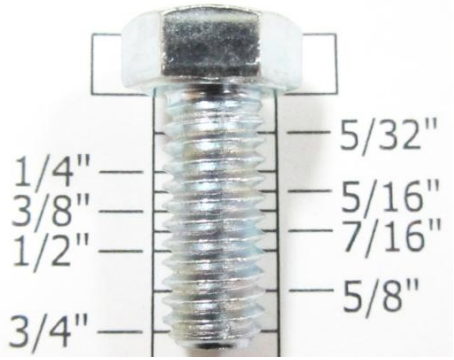



Middle Panel Top Joint



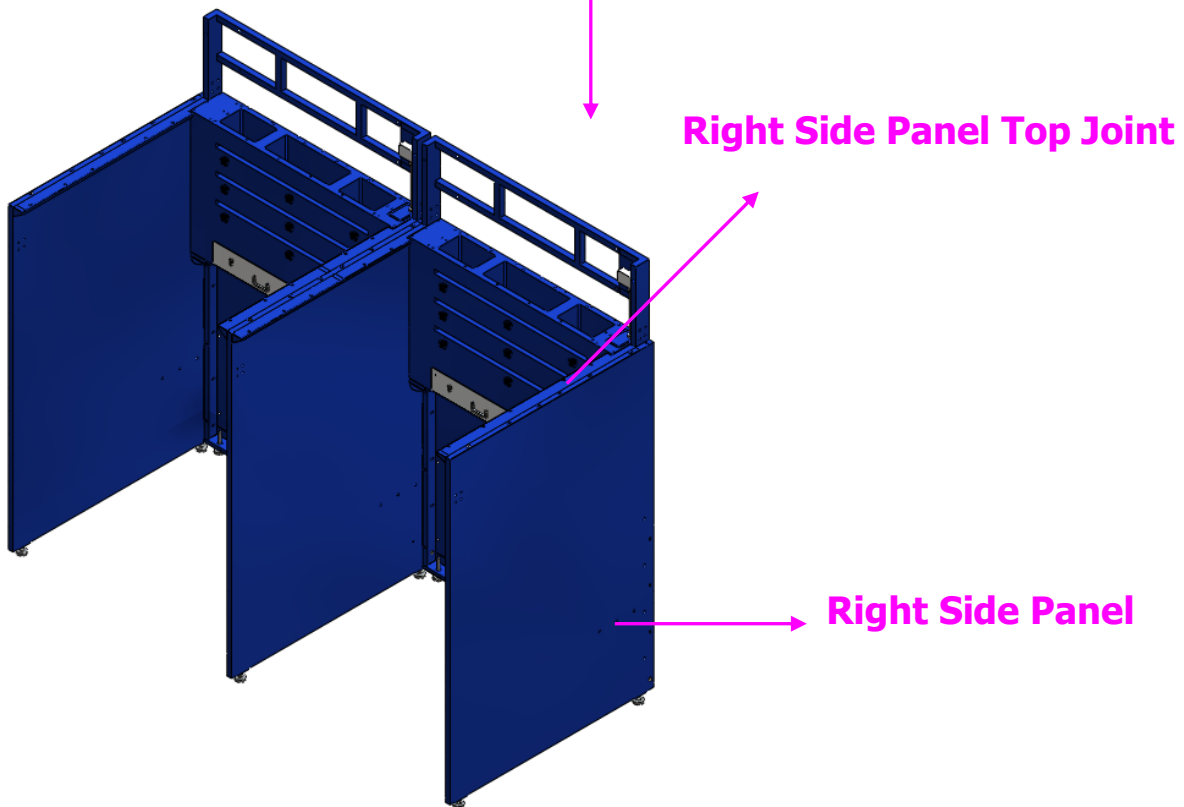
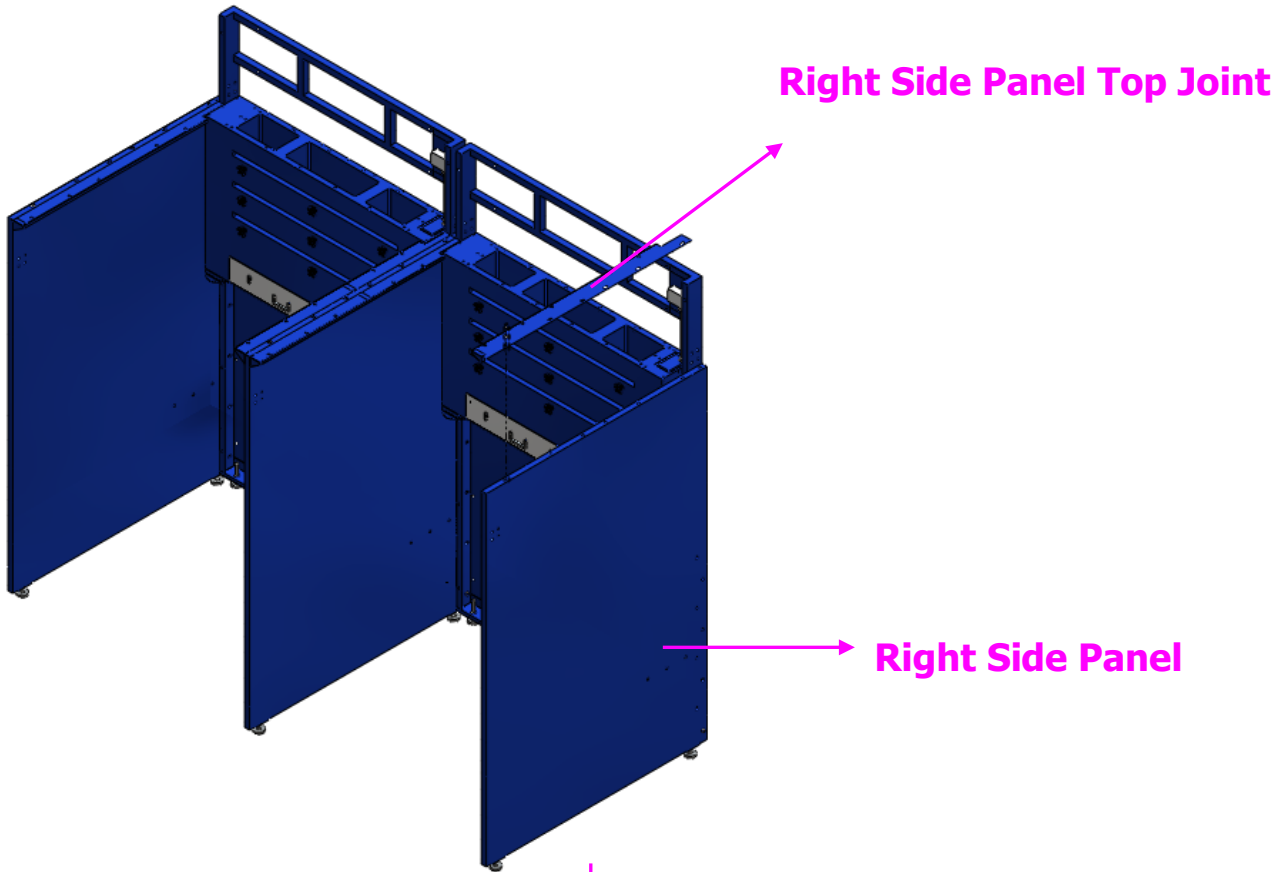
## ✦ Installations for WB-5055 (8 booths side by side).

- Take out **Right Side Panel Top Joint**.
- Fasten **Right Side Panel Top Joint** adjacent to **Right Side Panel** with:

Hardware L				
Part name	Description	Photos	Q'ty	Grainger Model #
Hex Screw	5/16 x 3/4"		6	1YU33
Flat Washer	5/16" x OD23 x 2T		6	*1JY31

(\* Hardware item at similar spec available locally.

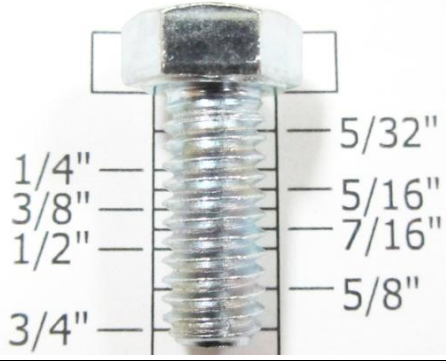


# ✦ Installations for WB-5055 (8 booths side by side).





## ✦ Installations for WB-5055 (8 booths side by side).

- Take out **Top Hood Drafts**.
- Fasten **Top Hood Drafts** adjacent to **Upper Part of the**  
**BAckdraft** with:

Hardware S				
Part name	Description	Photos	Q'ty	Grainger Model #
Hex Screw	5/16 x 3/4"		112	1YU33
Flat Washer	5/16" x OD23 x 2T		224	*1JY31
Nylon Hex Nut	5/16"		112	3XTK3

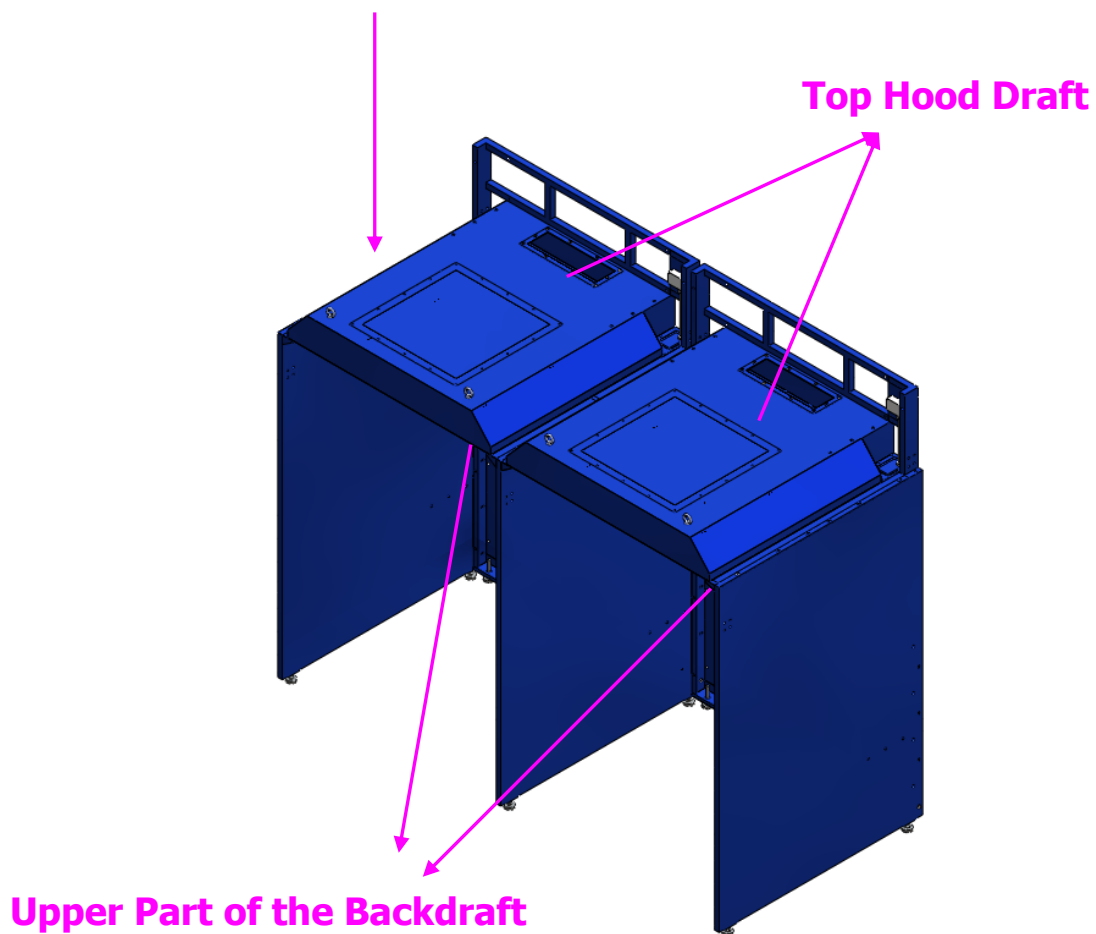
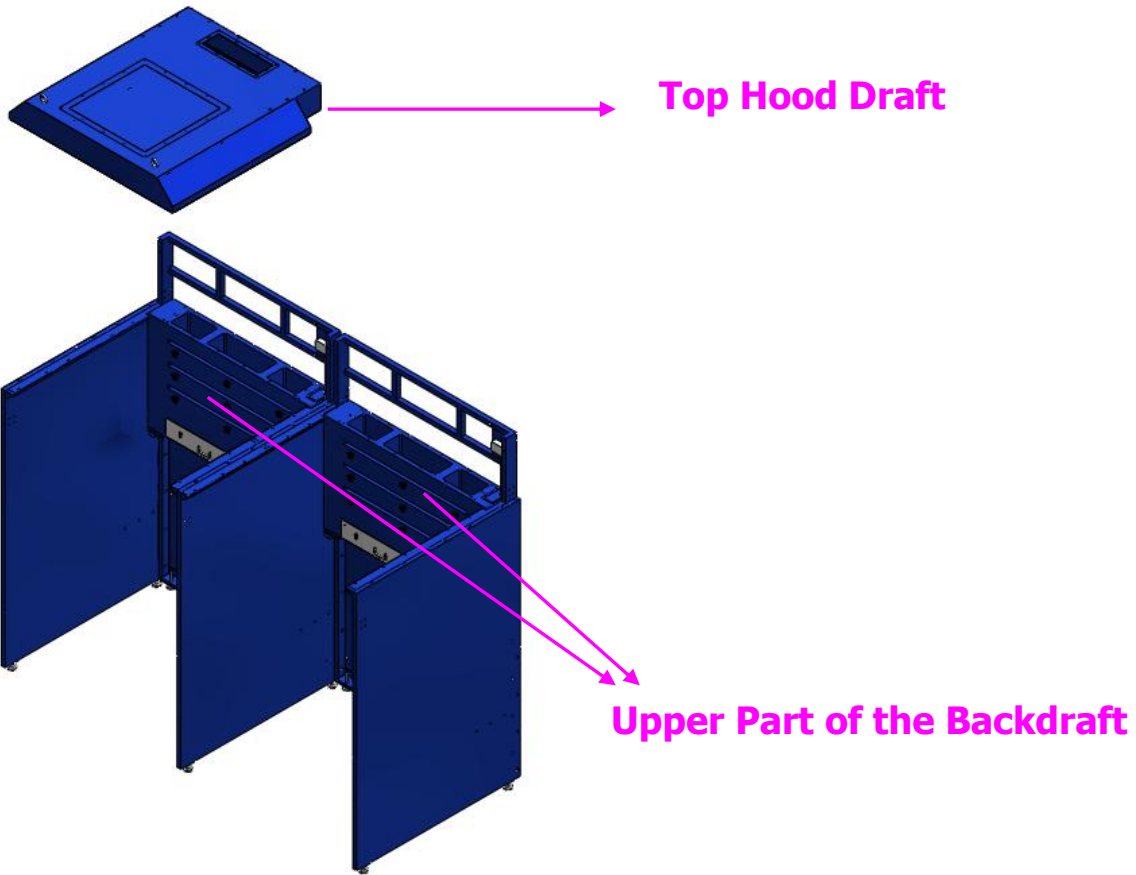
(\* Hardware item at similar spec available locally.

**✚ Installations for WB-5055 (8 booths side by side).**

Hex Screw	5/16" x 3/4"		32	1YU33
Flat Washer	5/16" x OD18 2T		32	*1JY31

(\* Hardware item at similar spec available locally.



# ✚ Installations for WB-5055 (8 booths side by side).



## ✦ Installations for WB-5055 (8 booths side by side).

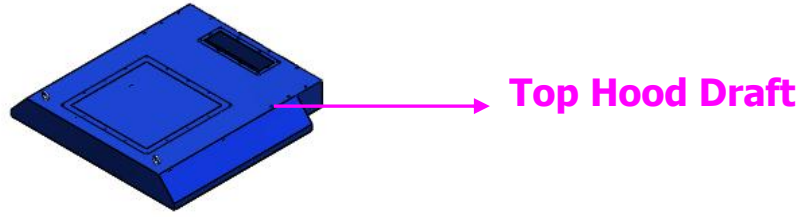
- Fasten **Top Hood Draft** adjacent to **Left Side Panel Top**

**Joint** with:

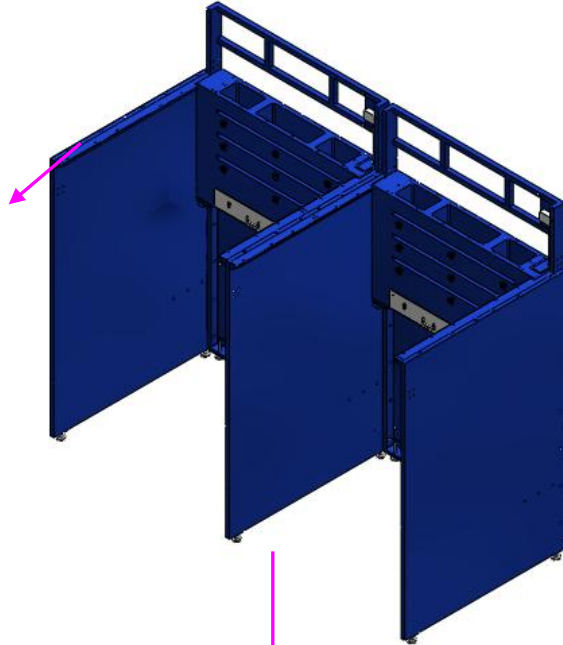
Hardware J				
Part name	Description	Photos	Q'ty	Grainger Model #
Hex Screw	5/16 x 3/4"		5	1YU33
Flat Washer	5/16" x OD23 x 2T		5	*1JY31

(\* Hardware item at similar spec available locally.

**✦ Installations for WB-5055 (8 booths side by side).**

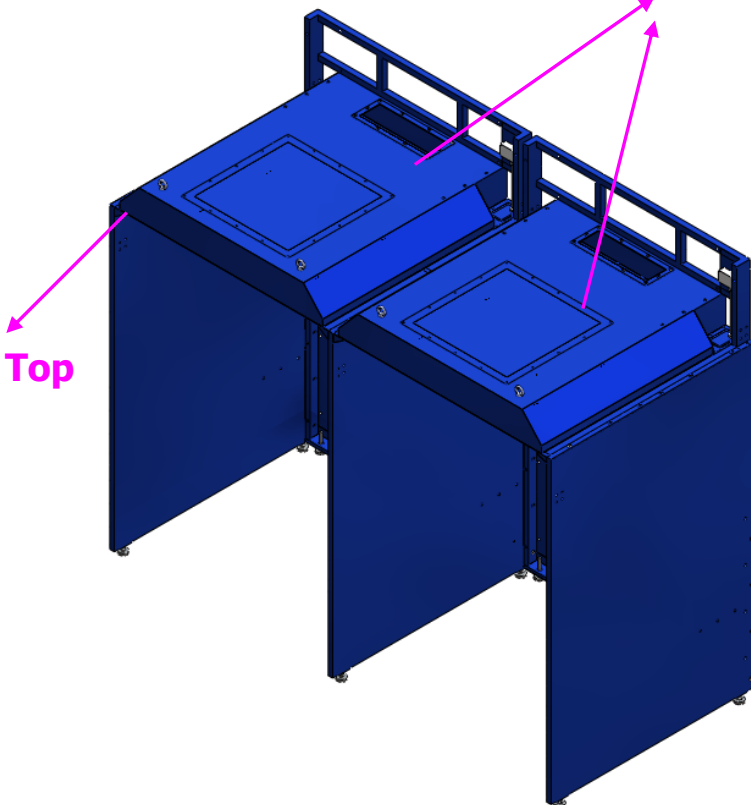


Left Side Panel Top Joint



Top Hood Draft



Left Side Panel Top Joint



## ✦ Installations for WB-5055 (8 booths side by side).

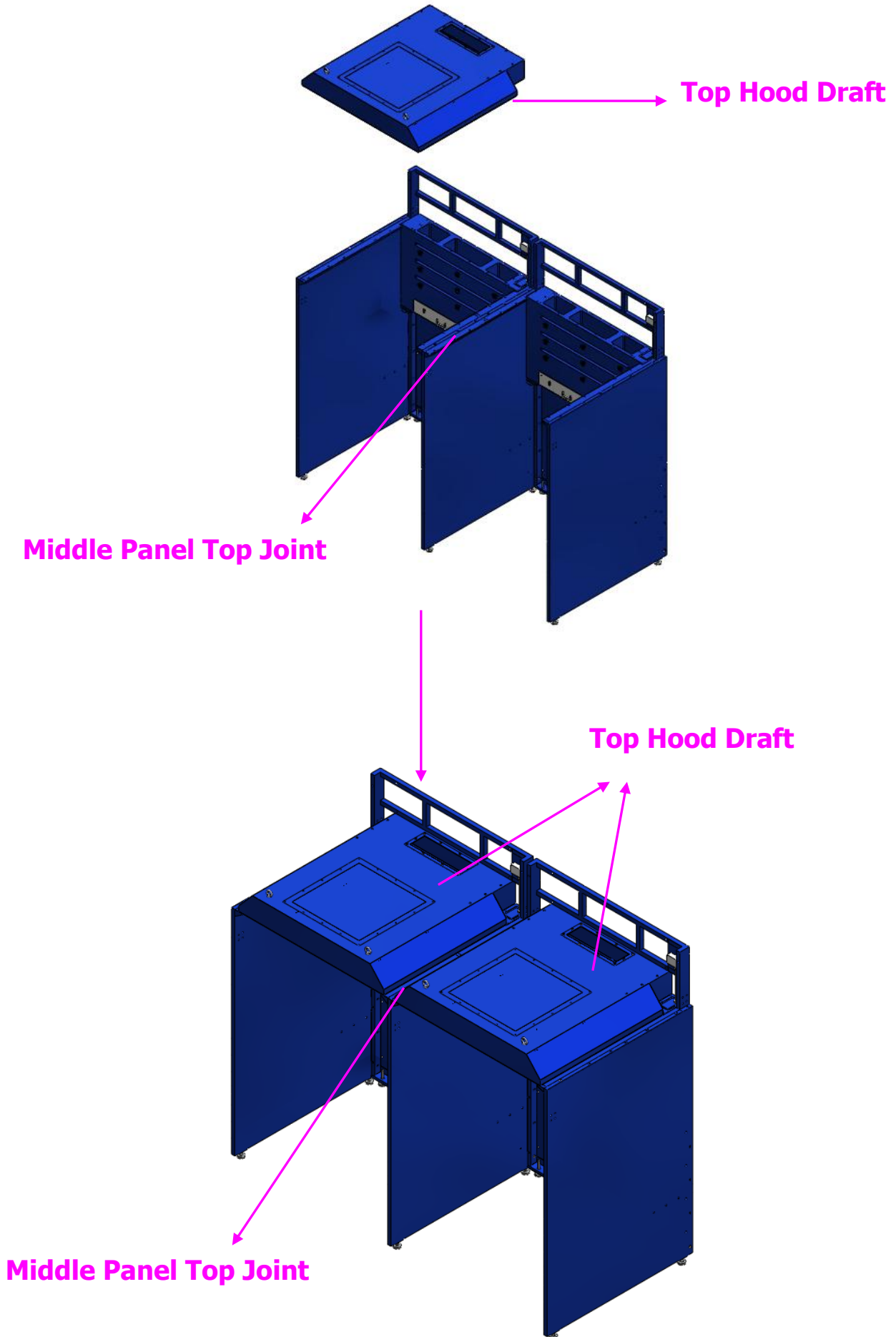
- Fasten **Top Hood Draft** adjacent to **Middle Panel Top**

**Joint** with:

Hardware K				
Part name	Description	Photos	Q'ty	Grainger Model #
Hex Screw	5/16 x 3/4"		70	1YU33
Flat Washer	5/16" x OD23 x 2T		70	*1JY31

(\* Hardware item at similar spec available locally.



**✦ Installations for WB-5055 (8 booths side by side).**



## ✚ Installations for WB-5055 (8 booths side by side).

- Fasten **Top Hood Draft** adjacent to **Right Side Panel**

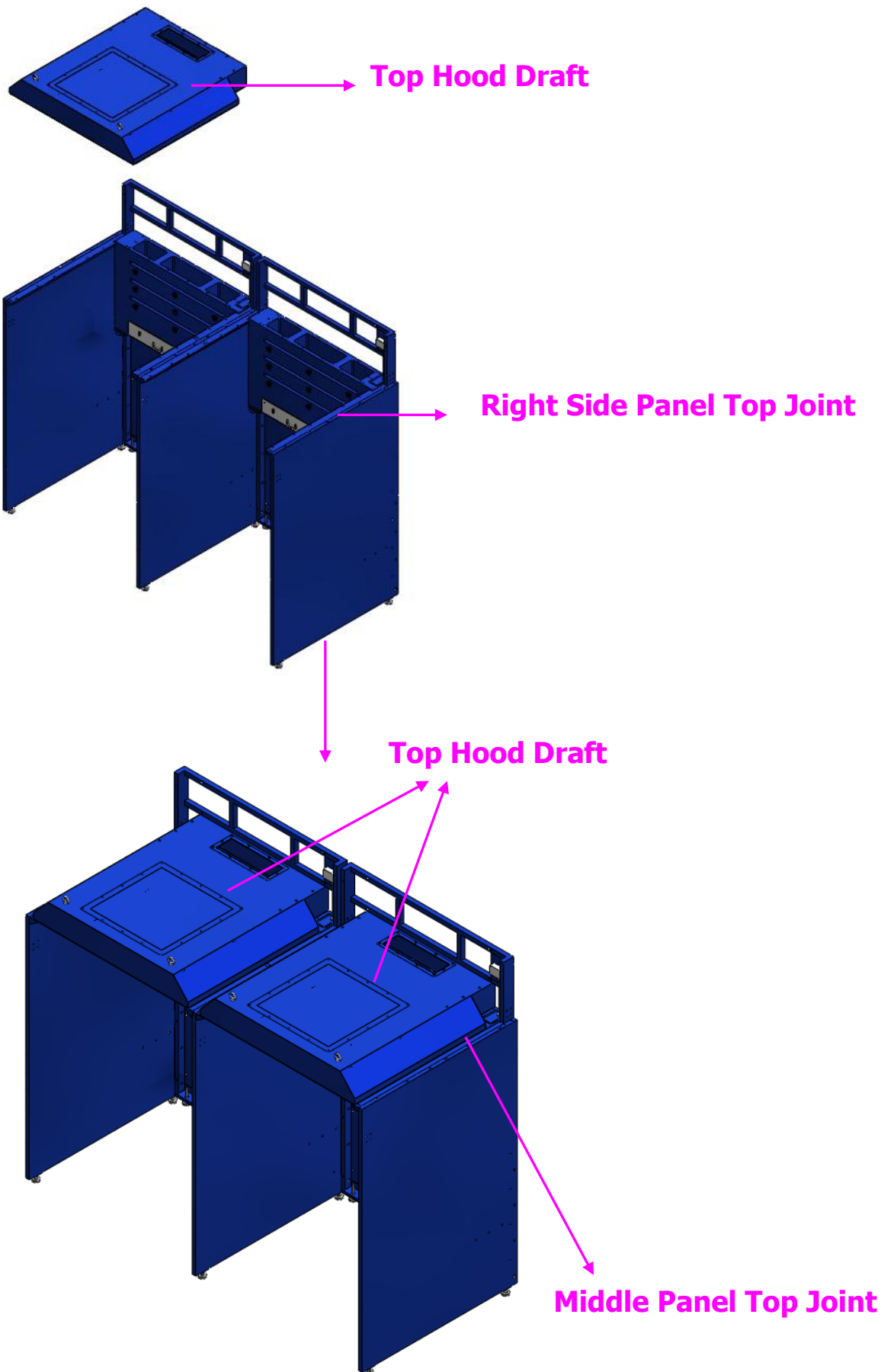
**Top Joint** with:

Hardware L				
Part name	Description	Photos	Q'ty	Grainger Model #
Hex Screw	5/16 x 3/4"		5	1YU33
Flat Washer	5/16" x OD23 x 2T		5	*1JY31

(\* Hardware item at similar spec available locally.



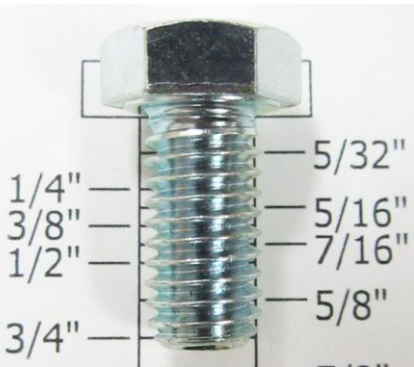



# ✦ Installations for WB-5055 (8 booths side by side).



## ✚ Installations for WB-5055 (8 booths side by side).

- Take out **Fixing Base (left)**.
- Fasten **Fixing Base (left)** adjacent to **Left Side Panel**




with:

Hardware A				
Part name	Description	Photos	Q'ty	Grainger Model #
Hex Screw	3/8 x 3/4"		1	1YU42
Flat Washer	3/8" x OD23 x 2T		1	*1JY33
Hex Screw	5/16 x 3/4"		1	1YU33
Flat Washer	5/16" x OD23 x 2T		1	*1JY31

(\* Hardware item at similar spec available locally.

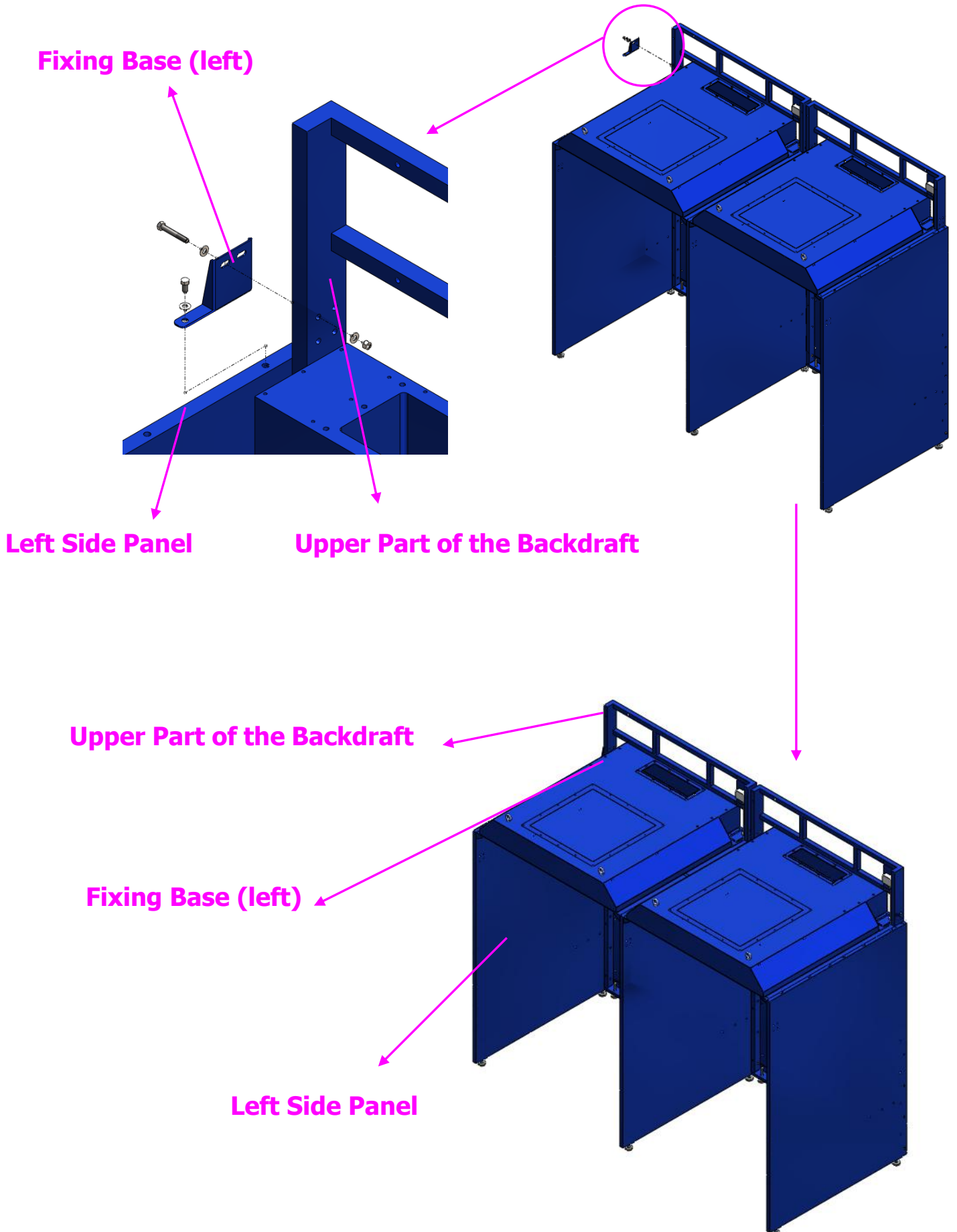
## ✚ Installations for WB-5055 (8 booths side by side).

- Fasten **Fixing Base (left)** adjacent to **Upper Part of the Backdraft** with:

Hardware A				
Part name	Description	Photos	Q'ty	Grainger Model #
Hex Screw	3/8 x 2-1/2"		2	1YU47
Flat Washer	3/8" x OD23 x 2T		4	*1JY33
Nylon Hex Nut	3/8"		2	3HDU4

(\* Hardware item at similar spec available locally.

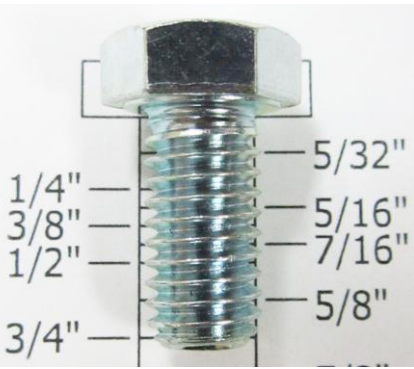

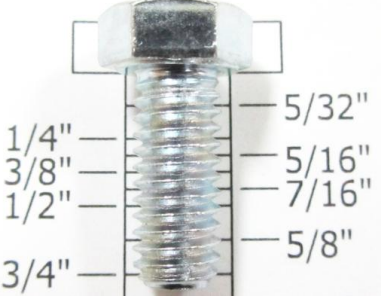

# Installations for WB-5055 (8 booths side by side).



## ✦ Installations for WB-5055 (8 booths side by side).

- Take out **Fixing Base (Right)**.
- Fasten **Fixing Base (Right)** adjacent to **Right Side**




**Panel** with:

Hardware B				
Part name	Description	Photos	Q'ty	Grainger Model #
Hex Screw	3/8 x 3/4"		1	1YU42
Flat Washer	3/8" x OD23 x 2T		1	*1JY33
Hex Screw	5/16 x 3/4"		1	1YU33
Flat Washer	5/16" x OD23 x 2T		1	*1JY31

(\* Hardware item at similar spec available locally.

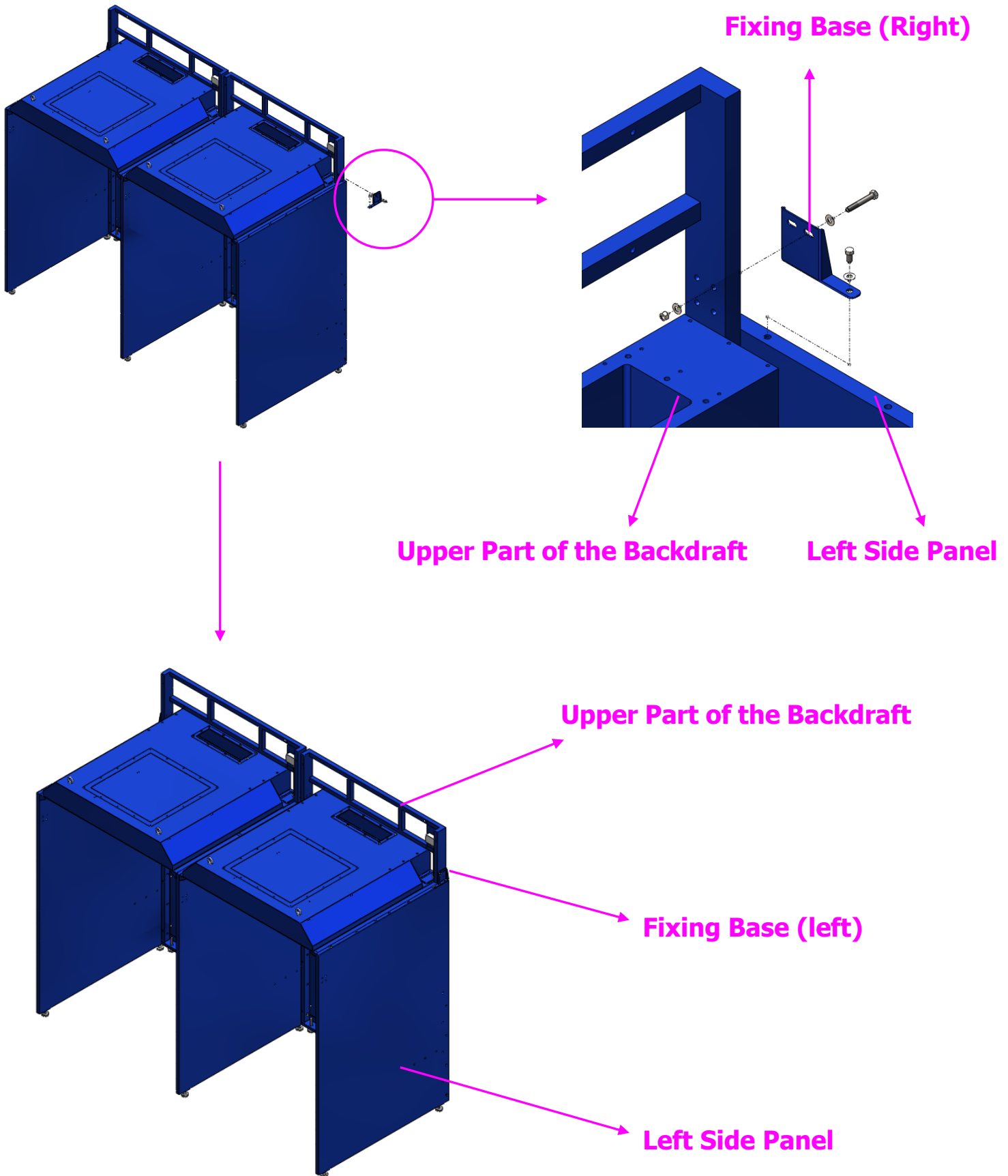
## ✦ Installations for WB-5055 (8 booths side by side).

- Fasten **Fixing Base (Right)** adjacent to **Upper Part of the Backdraft** with:

Hardware A				
Part name	Description	Photos	Q'ty	Grainger Model #
Hex Screw	3/8 x 2-1/2"		2	1YU47
Flat Washer	3/8" x OD23 x 2T		4	*1JY33
Nylon Hex Nut	3/8"		2	3HDU4

(\* Hardware item at similar spec available locally.

# ✚ Installations for WB-5055 (8 booths side by side).



## ✦ Installations for WB-5055 (8 booths side by side).

- Take out **Triangular Rear Support (Left)**.
- Fasten **Triangular Rear Support (Left)** adjacent to

**Upper Part of the Backdraft** with:

Hardware H				
Part name	Description	Photos	Q'ty	Grainger Model #
Hex Screw	5/16 x 3/4"		16	1YU33
Flat Washer	5/16" x OD23 x 2T		32	*1JY31
Nylon Hex Nut	5/16"		16	3XTK3



(\* Hardware item at similar spec available locally.



## ✦ Installations for WB-5055 (8 booths side by side).

- Fasten **Triangular Rear Support (Left)** adjacent to **Top Hood Draft** with:

**Hood Draft** with:

Hardware H				
Part name	Description	Photos	Q'ty	Grainger Model #
Hex Screw	5/16 x 3/4"		24	1YU33
Flat Washer	5/16" x OD23 x 2T		24	*1JY31

(\* ) Hardware item at similar spec available locally.

## ✦ Installations for WB-5055 (8 booths side by side).

- Take out **Triangular Rear Support (Right)**.
- Fasten **Triangular Rear Support (Right)** adjacent to  
**Upper Part of the Backdraft** with:

Hardware G				
Part name	Description	Photos	Q'ty	Grainger Model #
Hex Screw	5/16 x 3/4"		16	1YU33
Flat Washer	5/16" x OD23 x 2T		32	*1JY31
Nylon Hex Nut	5/16"		16	3XTK3

(\* Hardware item at similar spec available locally.

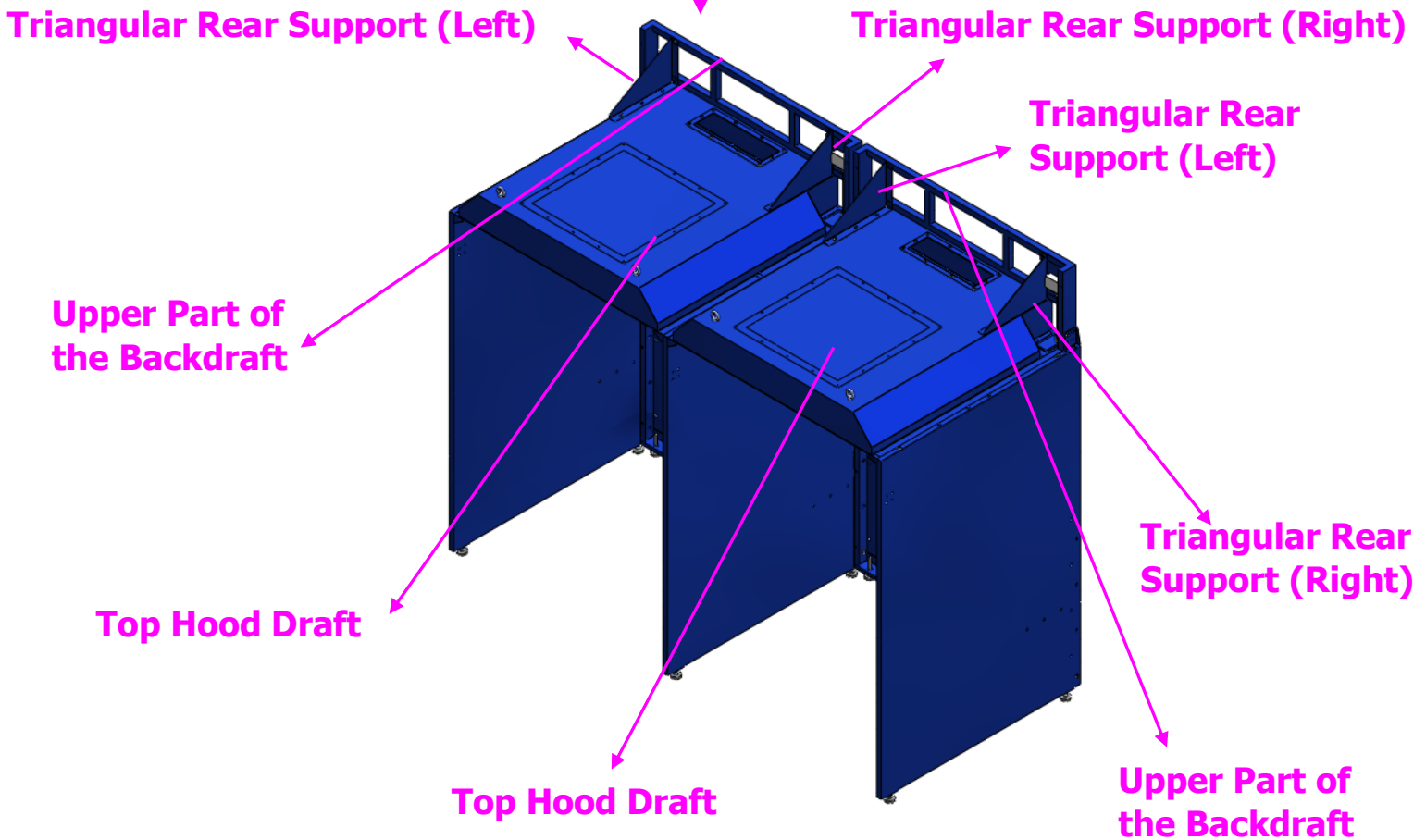
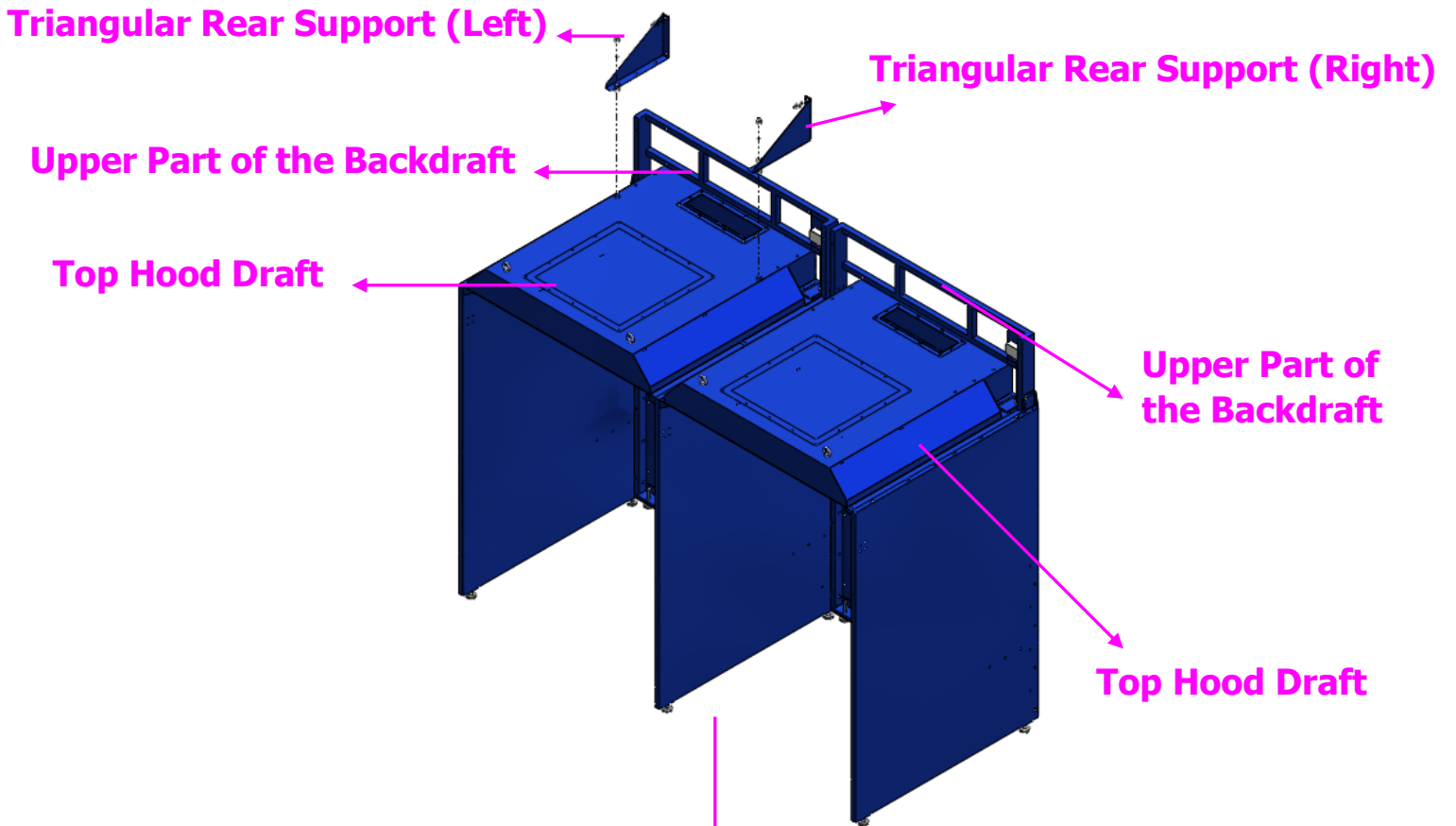
## ✦ Installations for WB-5055 (8 booths side by side).

- Fasten **Triangular Rear Support (Right)** adjacent to **Top Hood Draft** with:

Hardware G				
Part name	Description	Photos	Q'ty	Grainger Model #
Hex Screw	5/16 x 3/4"		24	1YU33
Flat Washer	5/16" x OD23 x 2T		24	*1JY31

(\* Hardware item at similar spec available locally.



# Installations for WB-5055 (8 booths side by side).



## ✦ Installations for WB-5055 (8 booths side by side).

- Take out **Adjustable Backshelf (solid)**.
- Fasten **Adjustable Backshelf (solid)** adjacent to **Booth**

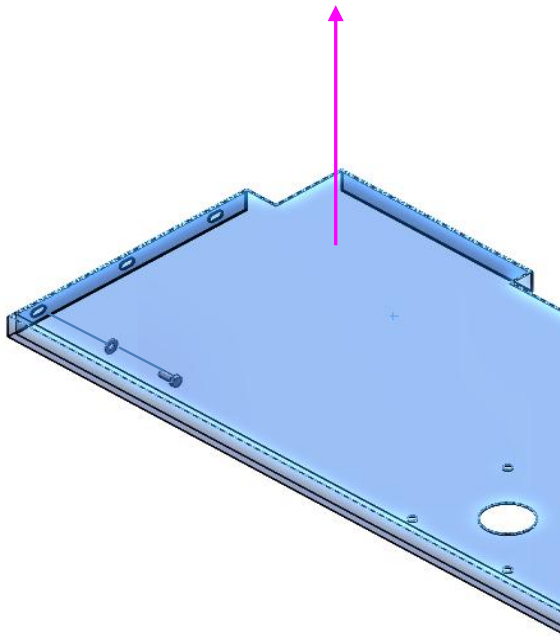
with:

Hardware F				
Part name	Description	Photos	Q'ty	Grainger Model #
Hex Screw	5/16 x 3/4"		64	1YU33
Flat Washer	5/16" x OD23 x 2T		64	*1JY31

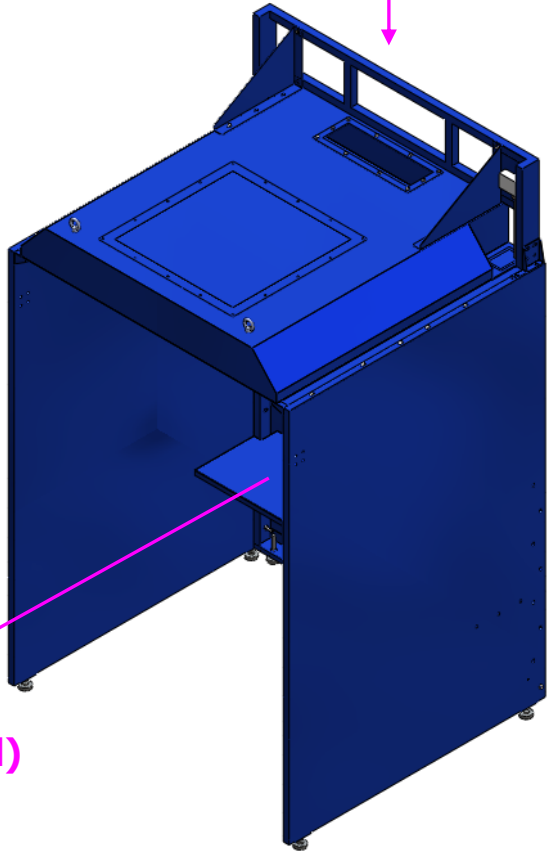
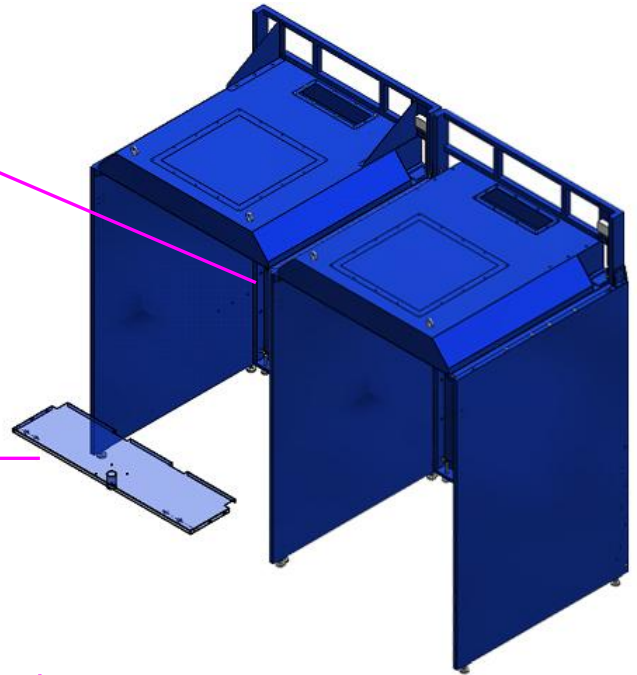
(\* Hardware item at similar spec available locally.

# ✦ Installations for WB-5055 (8 booths side by side).

Adjustable Backshelf (solid)



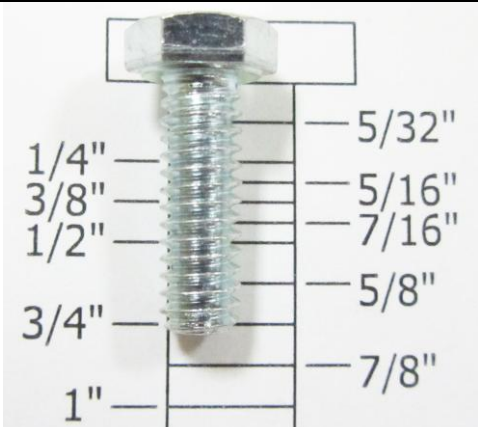

Booth



Adjustable Backshelf (solid)

## ✚ Installations for WB-5055 (8 booths side by side).

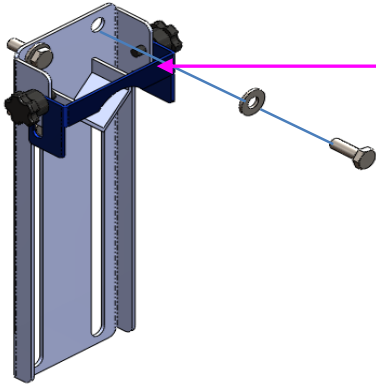
- Take out **Curtain Rod**.
- Fasten **Curtain Rod** adjacent to **Left Side Panel, Middle Panel** and **Right Side Panel** with:

Hardware N				
Part name	Description	Photos	Q'ty	Grainger Model #
Hex Screw	1/4" x 3/4"		128	1YU24
Flat Washer	1/4" x OD19 x 2T		128	*1JY29

(\* Hardware item at similar spec available locally.

# Installations for WB-5055 (8 booths side by side).

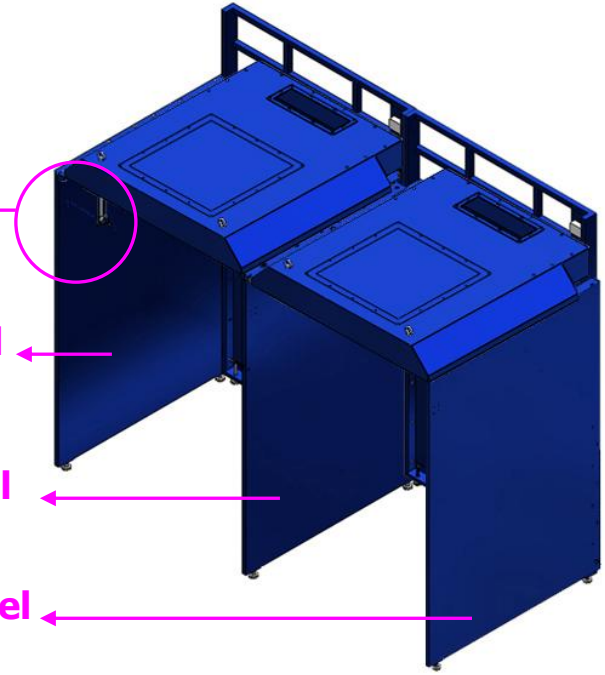
## Curtain Rod



Left Side Panel

Middle Panel

Right Side Panel

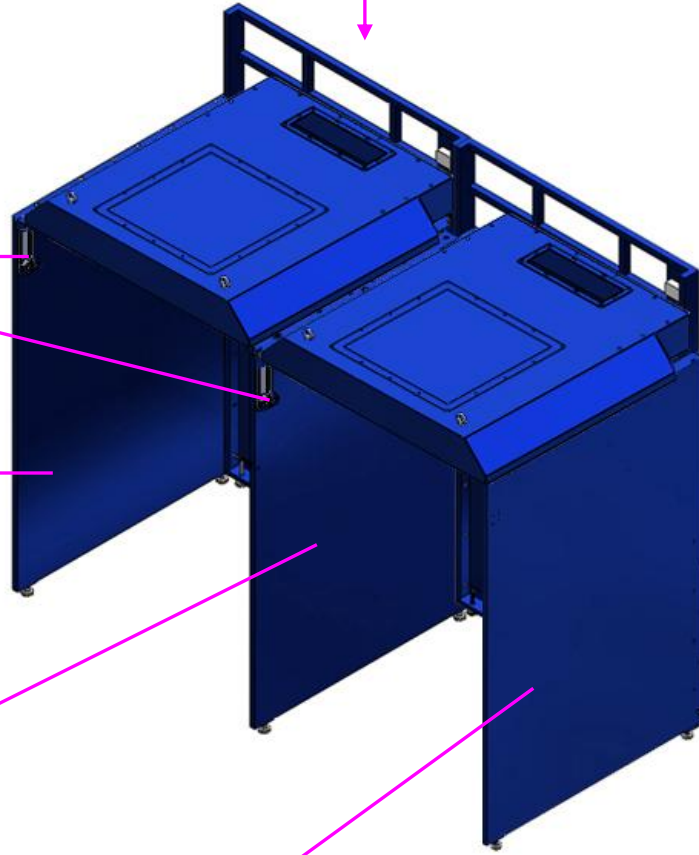


Curtain Rod

Left Side Panel

Middle Panel

Right Side Panel

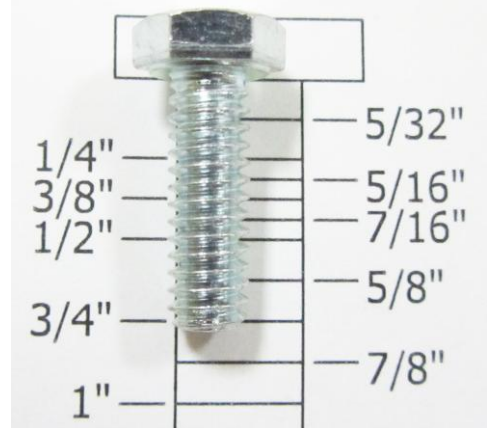





## ✦ Installations for WB-5055 (8 booths side by side).

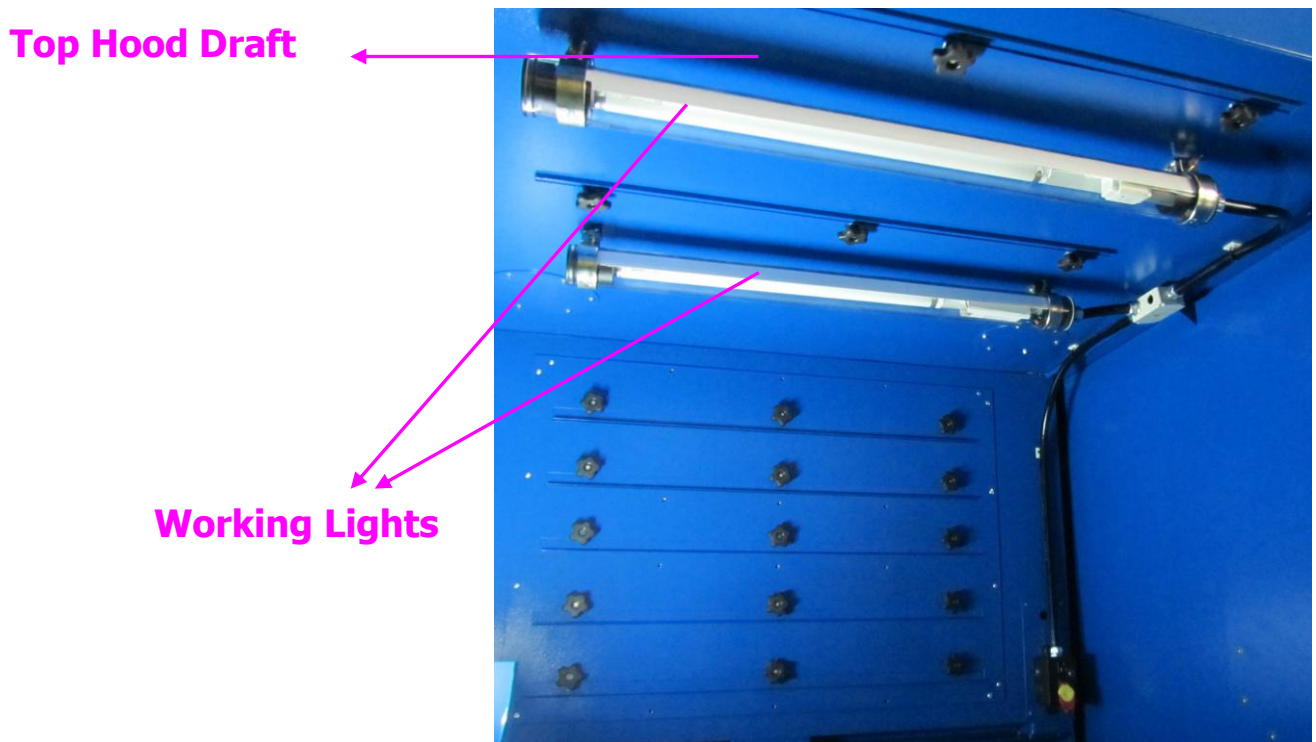
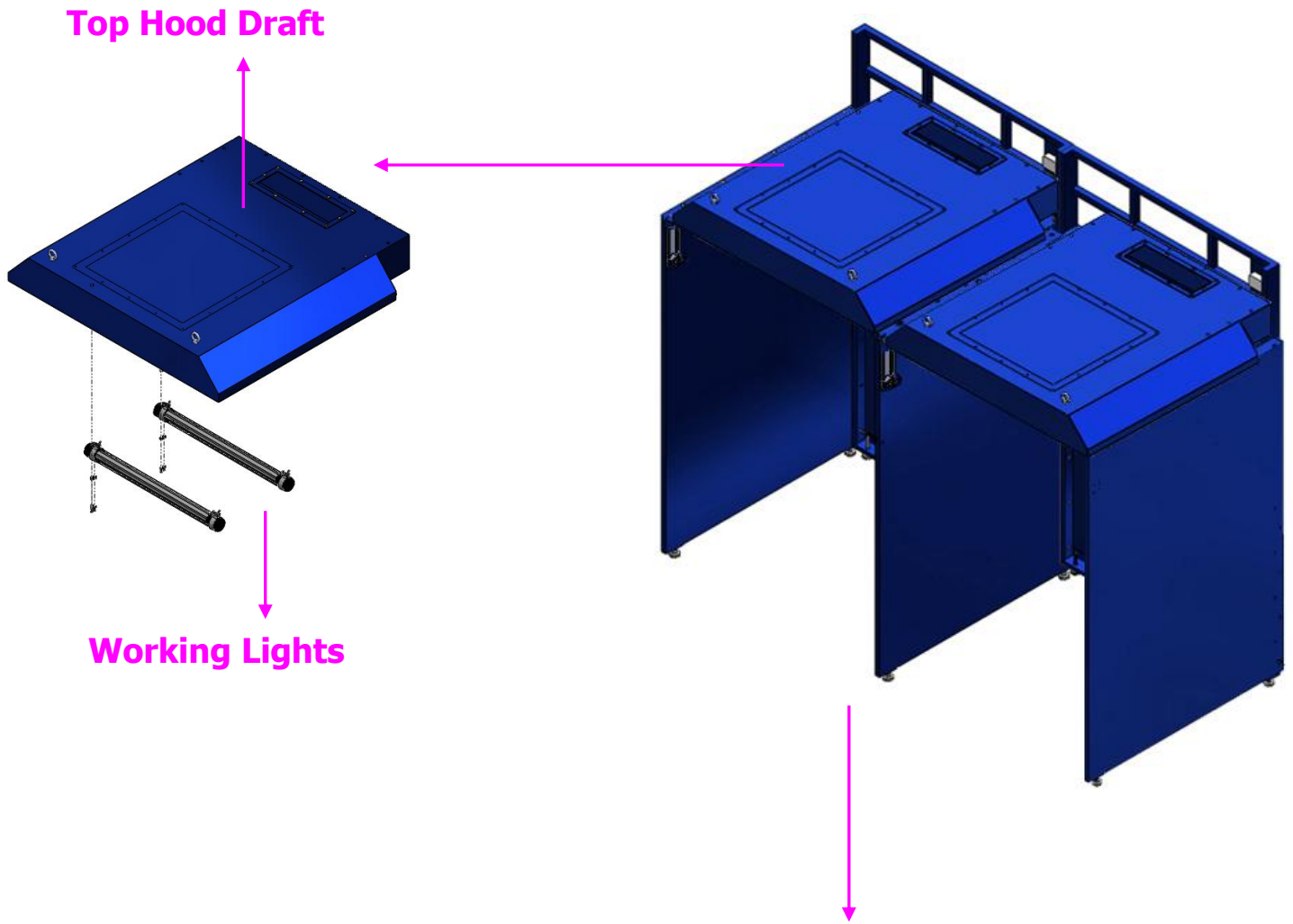
- Take out **Working Lights**.
- Fasten **Working Lights** adjacent to **Top Hood Draft**

with:

Hardware M				
Part name	Description	Photos	Q'ty	Grainger Model #
Hex Screw	1/4" x 3/4"		64	1YU24
Flat Washer	1/4" x OD19 x 2T		64	*1JY29

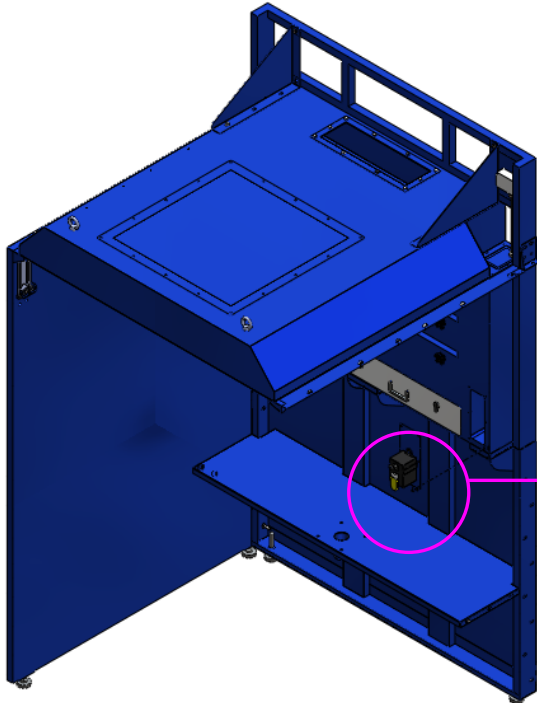
(\* Hardware item at similar spec available locally.

# ✦ Installations for WB-5055 (8 booths side by side).

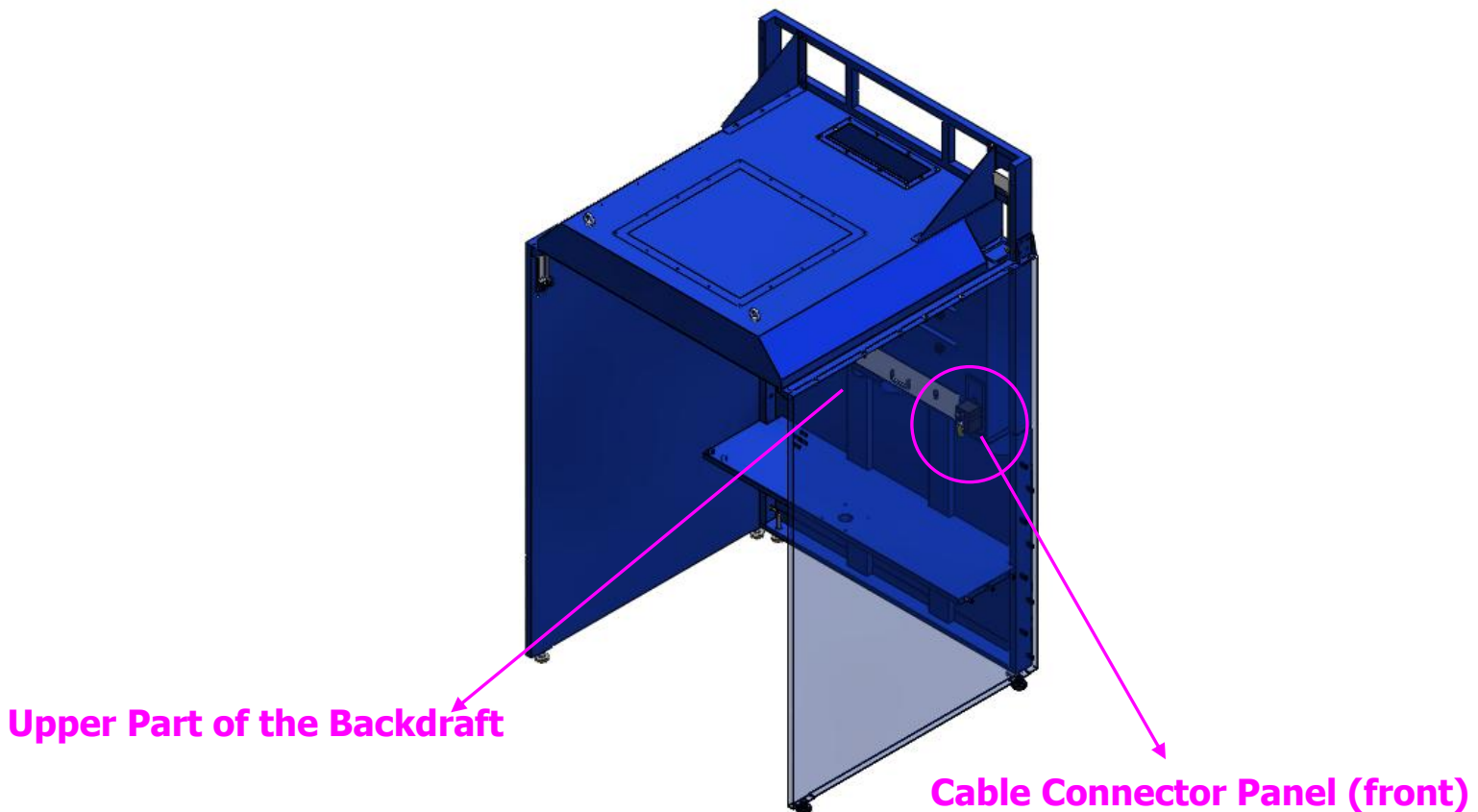
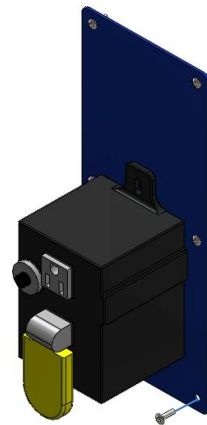


## ✦ Installations for WB-5055 (8 booths side by side).

- Fasten **Cable Connector Panel (front)** adjacent to **Upper Part of the Backdraft**.

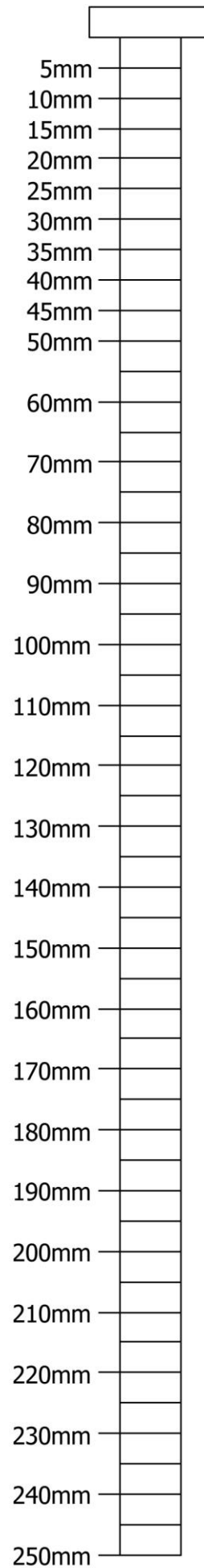
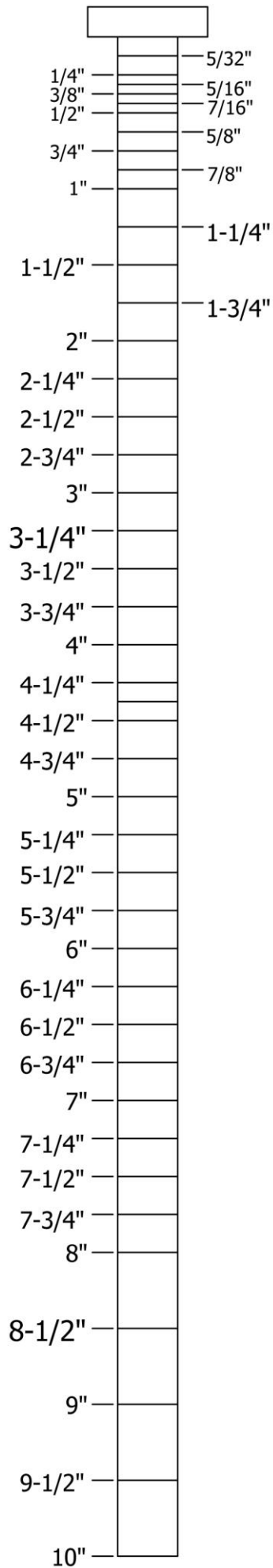


Cable Connector Panel (front)

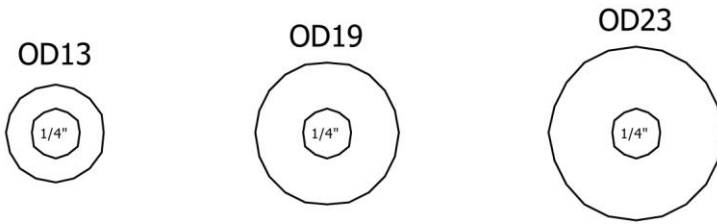


Upper Part of the Backdraft

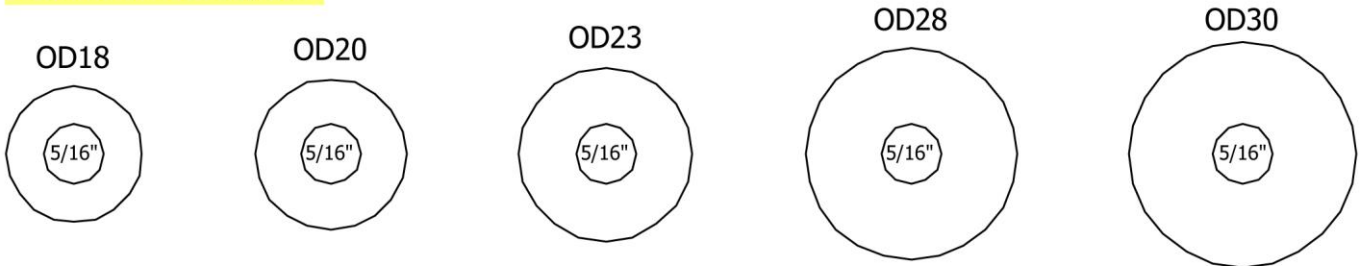
Cable Connector Panel (front)



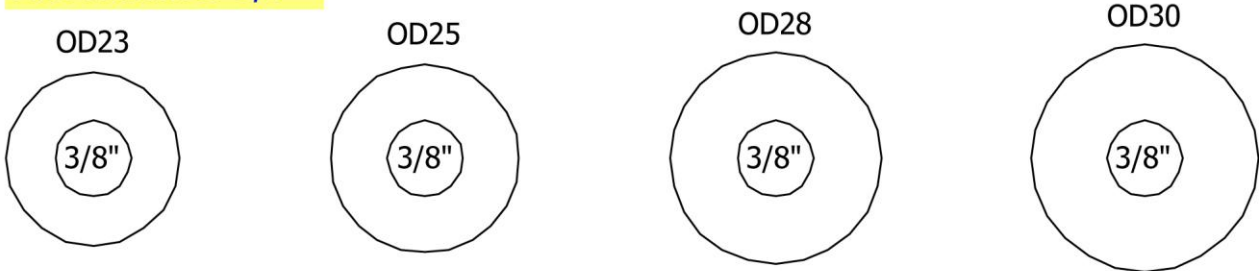
**Flat Washwe: 1/4"**



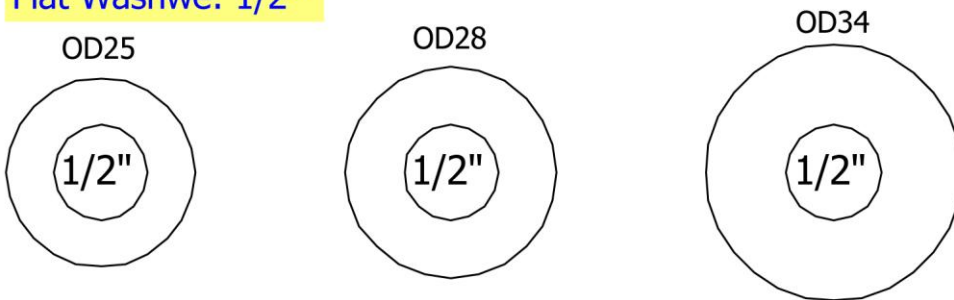
**Flat Washwe: 5/16"**



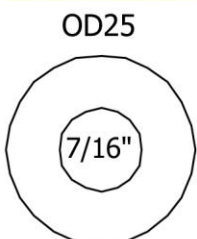
**Flat Washwe: 3/8"**



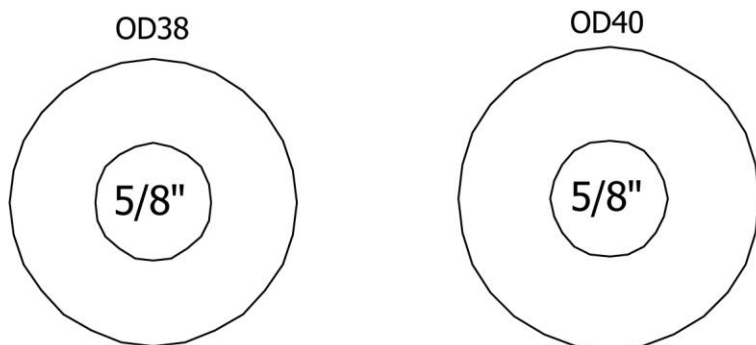
**Flat Washwe: 1/2"**



**Flat Washwe: 7/16"**



**Flat Washwe: 5/8"**



**HEX NUT**

3/16"



HEX NUT

1/4"



HEX NUT

5/16"



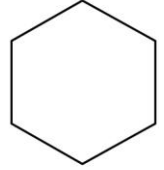
HEX NUT

3/8"



HEX NUT

1/2"



HEX NUT

**NYLON HEX NUT**

1/4"



NYLON HEX NUT

5/16"



NYLON HEX NUT

3/8"

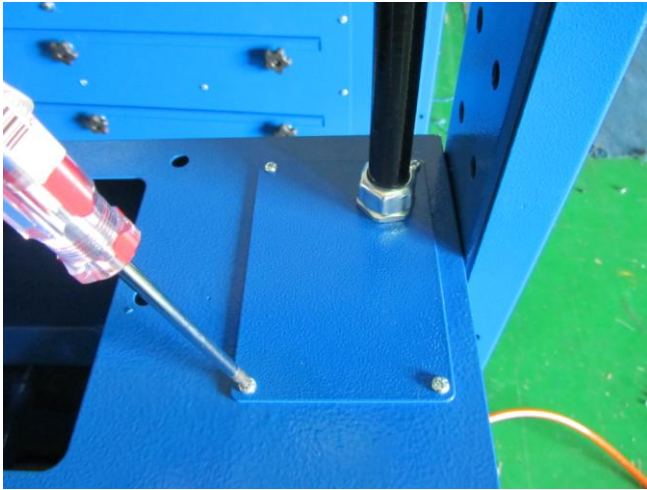


NYLON HEX NUT

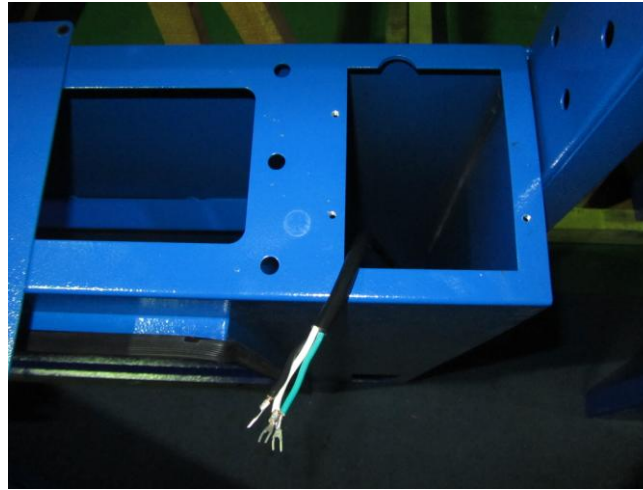
1/2"



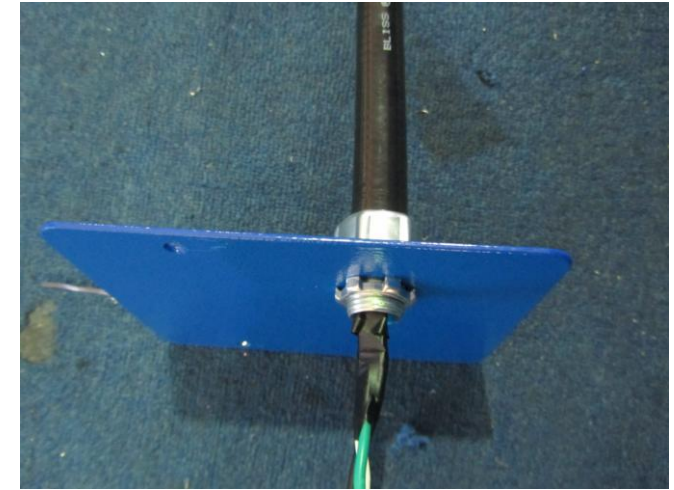
NYLON HEX NUT



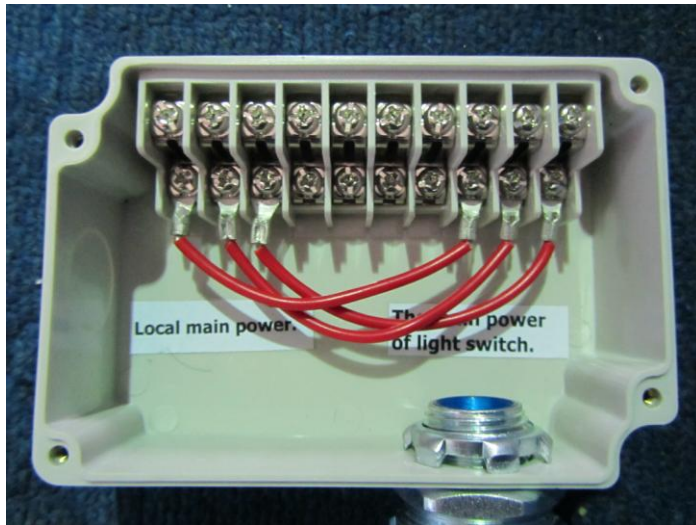
◆ Loose the iron plate with the screwdriver.



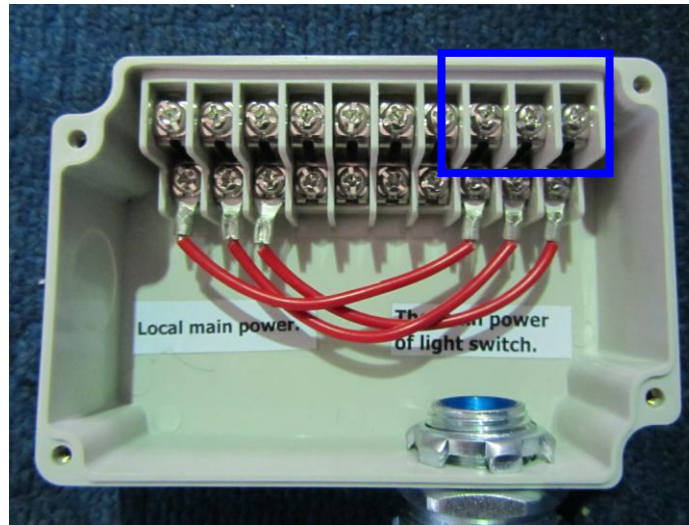
◆ From the wireway, take out the cable of light switch.



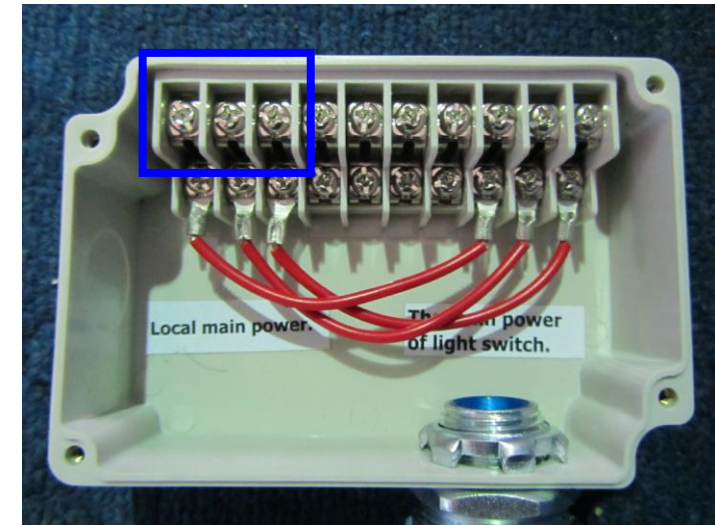
◆ Insert the cable of the light switch through the flexible steel conduit into the electrical junction box.



◆ Open the cover of the electrical junction box.



◆ Connect the cable of the light switch with terminal blocks.



◆ Link this set to local main power supply.

# The wiring of light switch

## The cable of light switch

