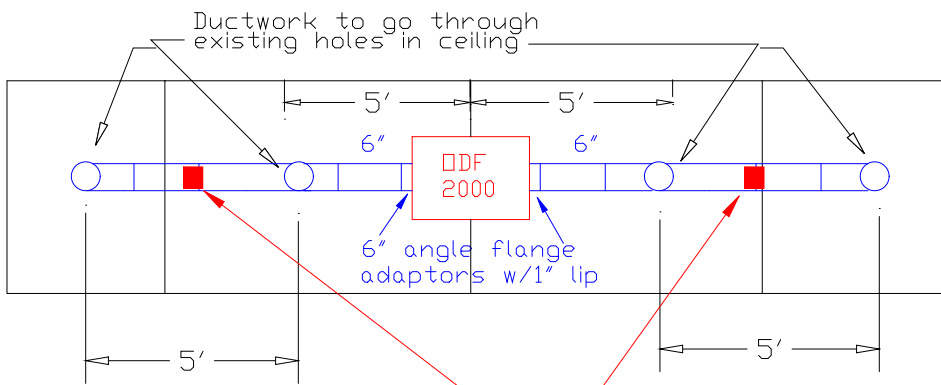


DDF2000 W/askar Hoods

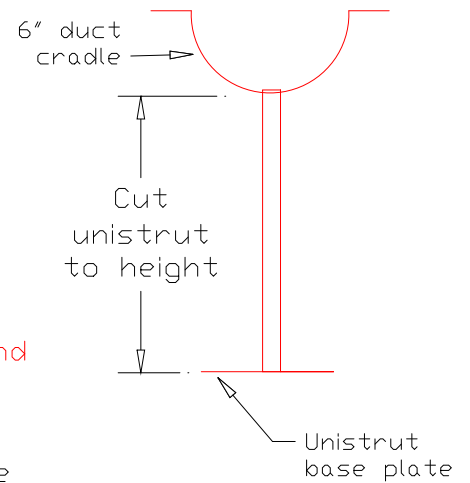
Notes

- 1) DDF2000 is 3HP/480Volts/full load amps are 5.1
- 2) Control box w/manual starter and overload and electrical connections by others.
- 3) IAQ to provide P-Trap with ball valve
- 4) Hang DDF 2000 from ceiling

Plan View

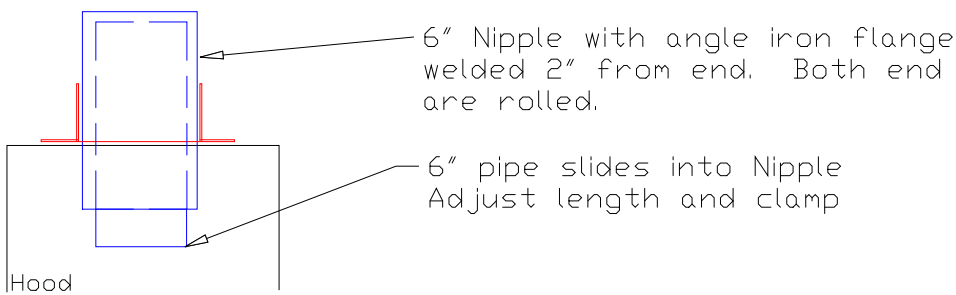


Ductwork support stand



Ductwork support stand

Side View Connection Detail



Industrial Air Quality		IAQ
102 AG DRIVE Youngsville, NC 27596		
P# 919-562-7181	F# 919-562-7182	
Project: Sun Hydraulics, FL		
Drawing: Duct Layout		
Date: 11/29/07		Drawn by: DDJ
Revision Date:		