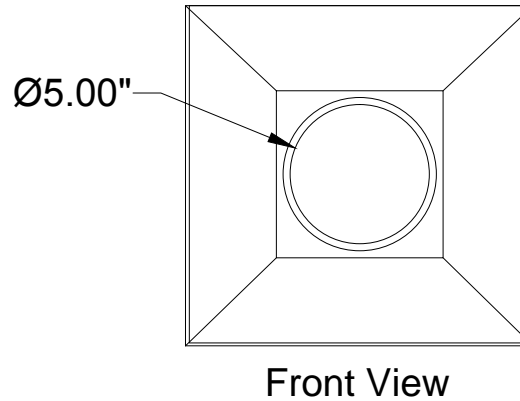
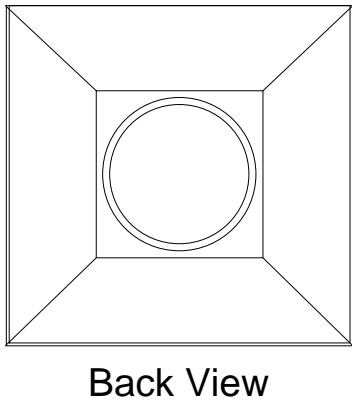
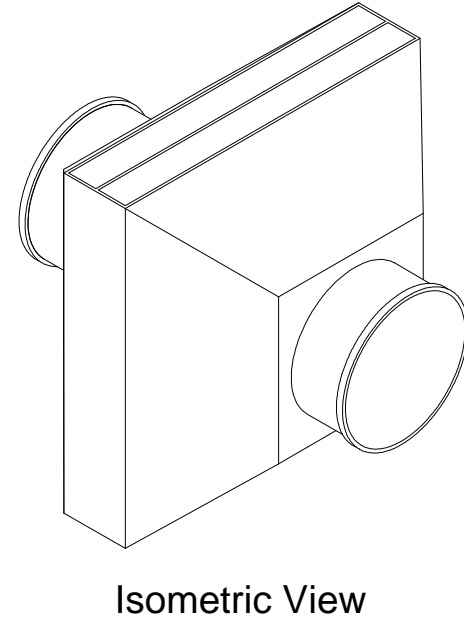
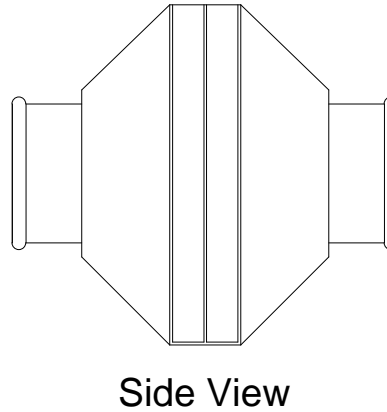
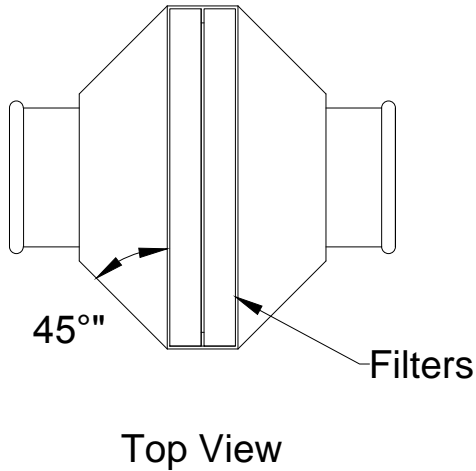


External Spark Arrestor Pre-Filter



Avani Environmental Intl.
95 Cypress Drive
Youngsville, NC 27596
P# 919-570-2862 F# 919-570-2863

Avani

Project: Stanadyne Corp

Drawing: Detail Drawing

Date: 9/5/13

Drawn by: MDT

Sheet No: 1 of 1

Rev.: 0