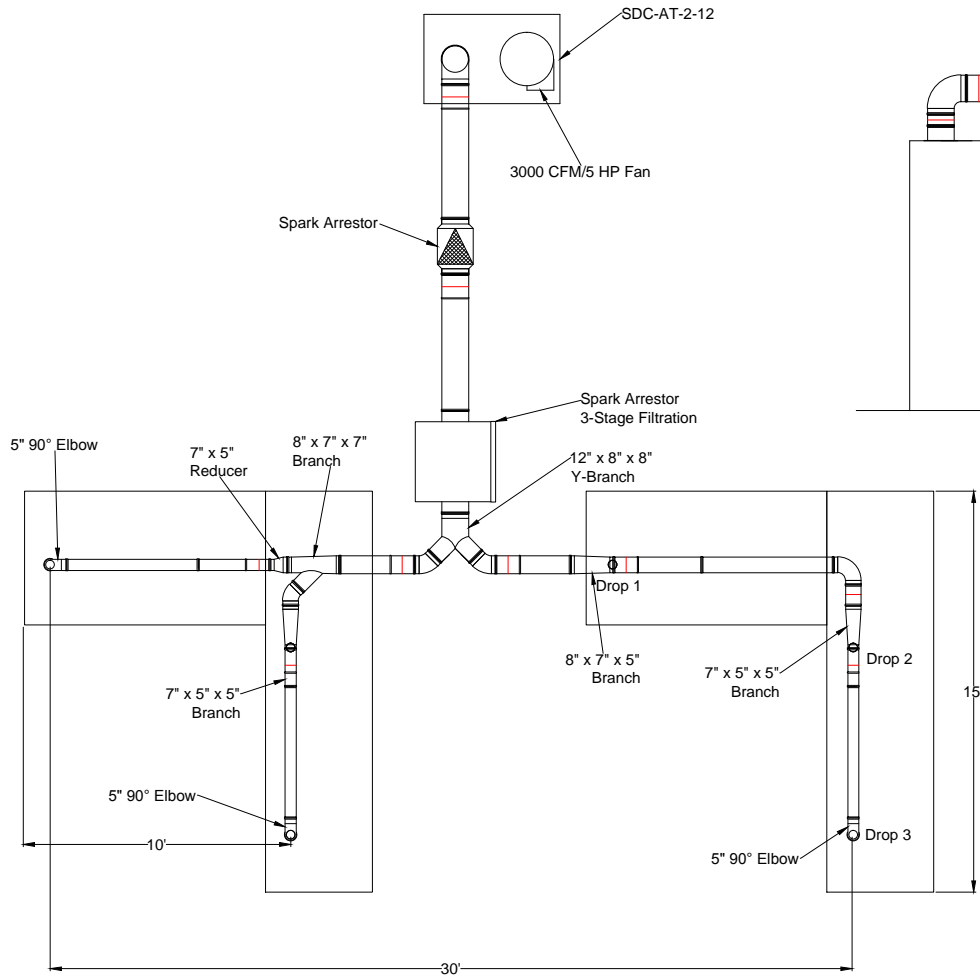
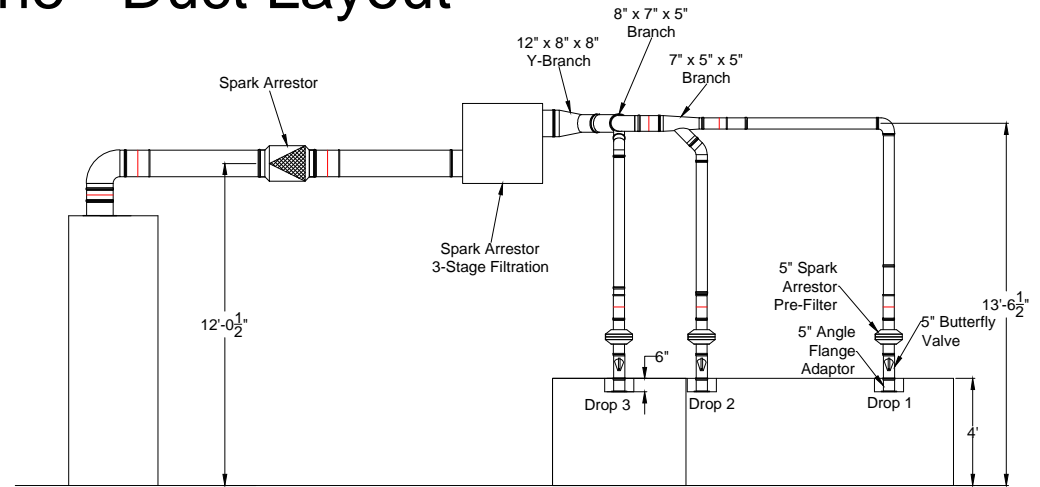


Stanadayne - Duct Layout



Plan View



Elevation View

Notes:

1. Replacing SPC-2000 units with SDC-AT-2-12
2. Clamp Together Duct
3. Support from ceiling
4. Drop locations approximated

Avani Environmental
 95 Cypress Drive
 Youngsville, NC 27596
 P# 919-570-2862 F# 919-570-2863

Avani

Project: Stanadayne - Dust Collector

Drawing: Duct Layout

Date: 9/10/13

Drawn by: MDT

Sheet No: 1

Rev.: 0