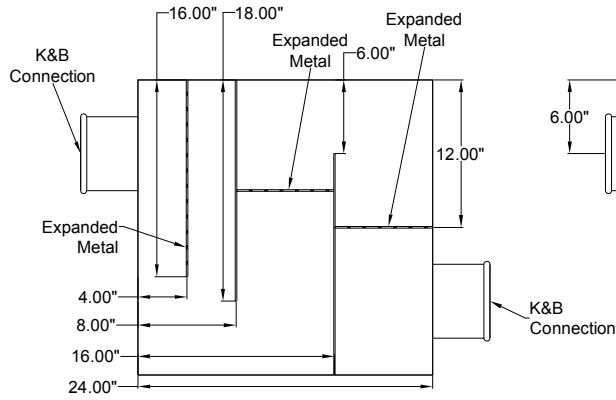
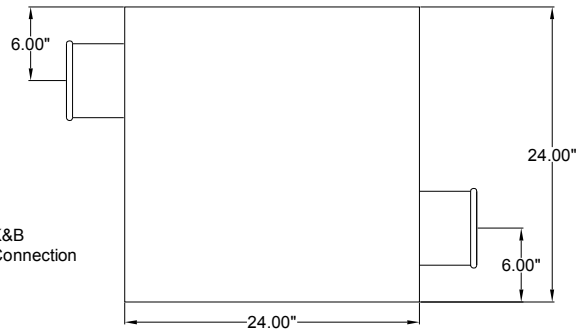


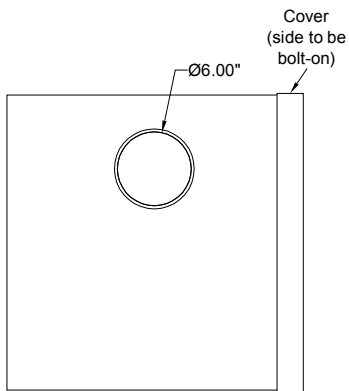
External Spark Arrestor Pre-Filter



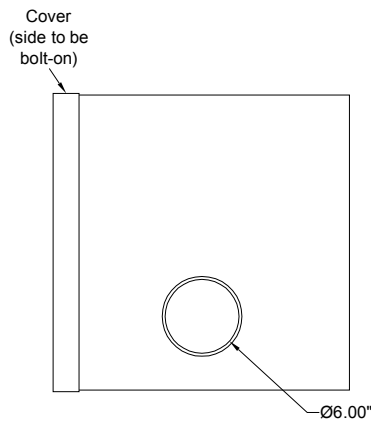
Inside - Side View



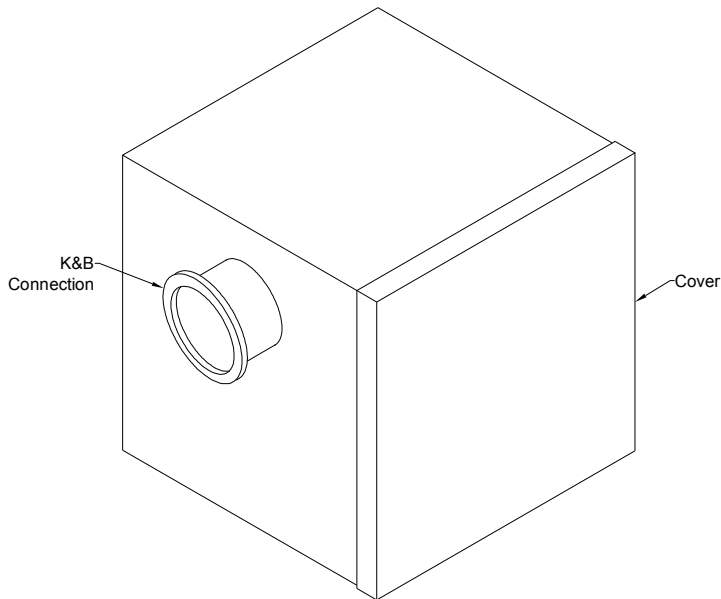
Outside - Side View



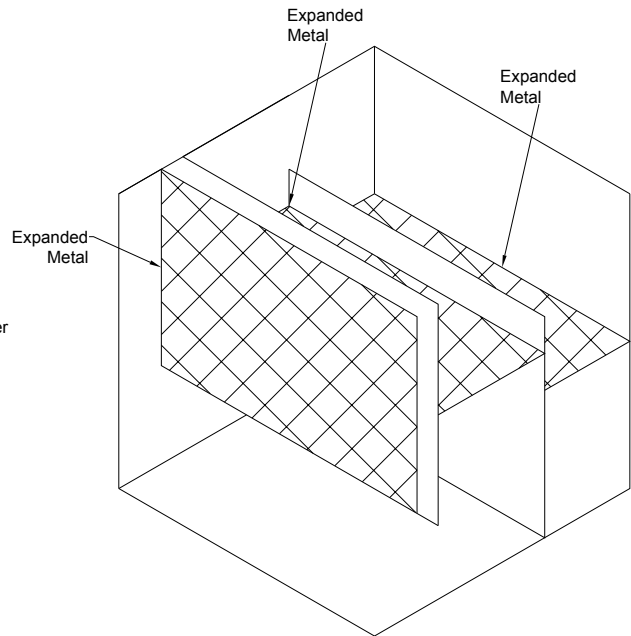
Back View



Front View



Outside - Isometric View



Inside - Isometric View

Avani Environmental Int.
95 Cypress Drive
Youngsville, NC 27596
P# 919-570-2862 F# 919-570-2863

Avani

Project: Stanadyne Corp SPC-2000

Drawing: Prototype Drawing

Date: 9/3/13

Drawn by: MDT