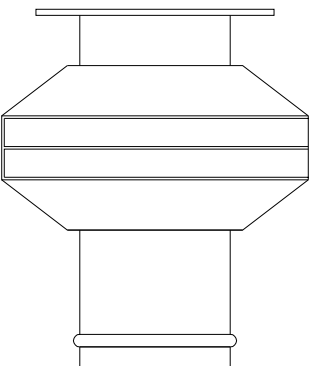
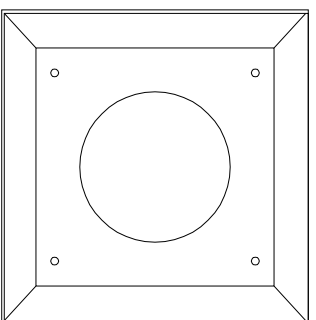


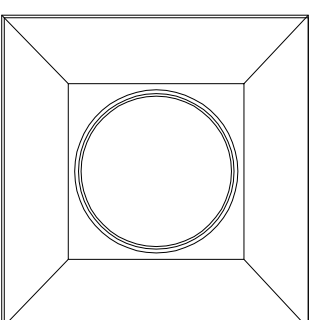
External Spark Arrestor Pre-Filter



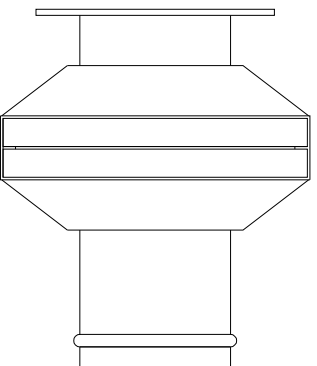
Side View



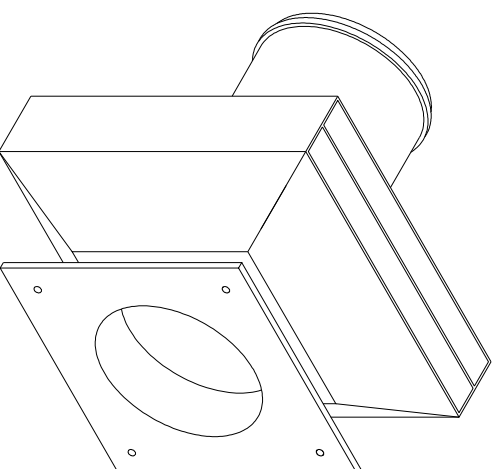
Front View



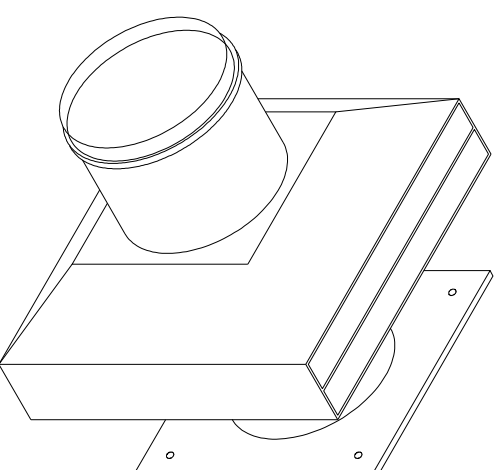
Back View



Top View



Isometric View -
SPC-2000 Connection



Isometric View -
Flex Connection

Avanti Environmental Intl.
95 Cypress Drive
Youngsville, NC 27596
P# 919-570-2862 F# 919-570-2863

Avani

Project: Stanadynne Corp SPC-2000

Drawing: Prototype Drawing

Date: 8/26/13

Drawn by: MDT

Sheet No: 1 of 1

Rev.: 0