

Rec to Round Required
Act 3-18 to 24" Ø

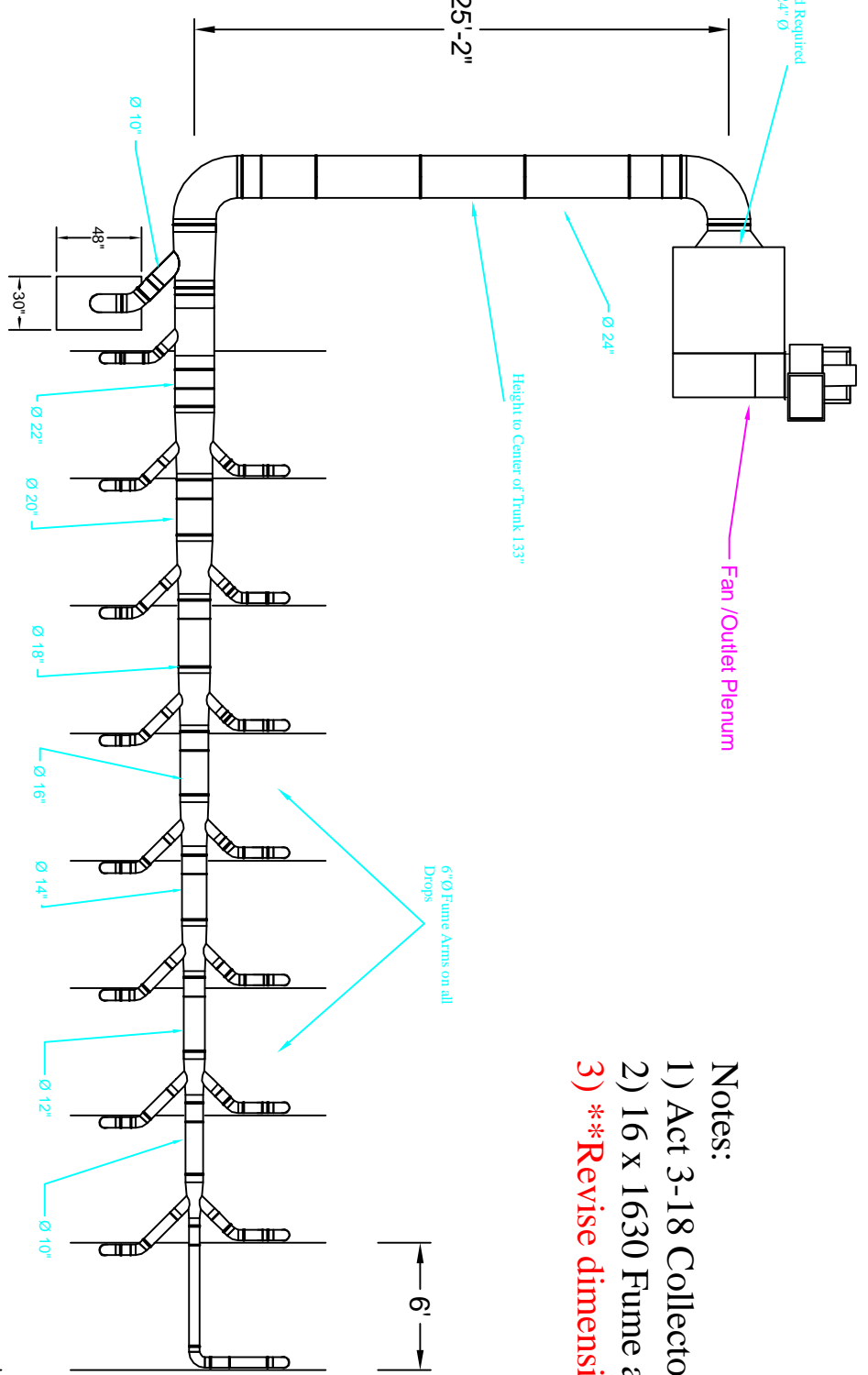
Fan /Outlet Plenum

Height to Center of Trunk 133"

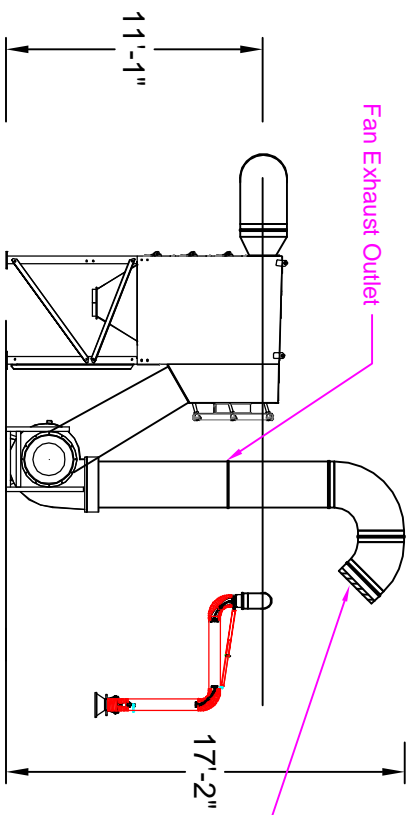
25'-2"

- Notes:
- 1) Act 3-18 Collector
 - 2) 16 x 1630 Fume arms
 - 3) ****Revise dimensions shown****

6"Ø Fume Arms on all Drops



Plan View



Elevation View

PRELIMINARY

This product has not been tested for seismic calculations.

Any Customer requested, or caused, changes or deviations from the approved drawing that effect T&M will require a change order.

Avani Environmental Int'l. Inc. 95 Cypress Drive Youngsville, NC 27596 Ph 919-570-2882 Fax 919-570-2863		Avani
Project: Spartanburg CC		
Drawing: Duct Layout		Drawn by: HB
Date: 7/20/2015		
Sheet No: 1		
		Rev 4

This document was created with Win2PDF available at <http://www.win2pdf.com>.
The unregistered version of Win2PDF is for evaluation or non-commercial use only.
This page will not be added after purchasing Win2PDF.