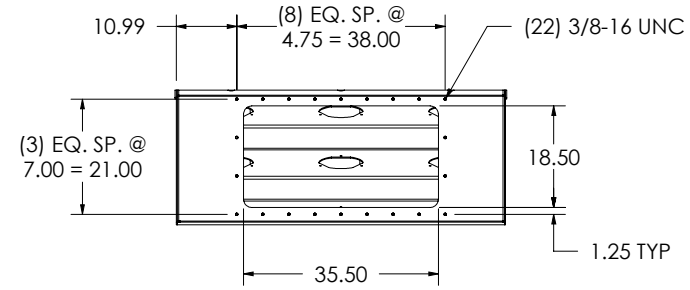
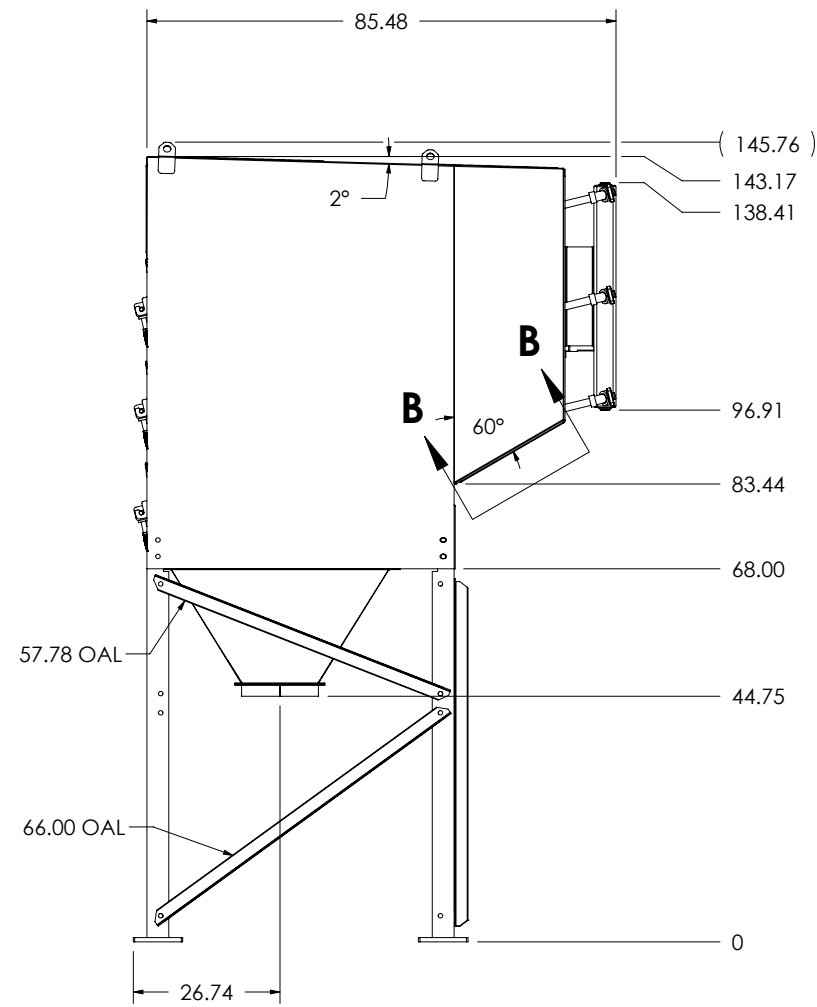
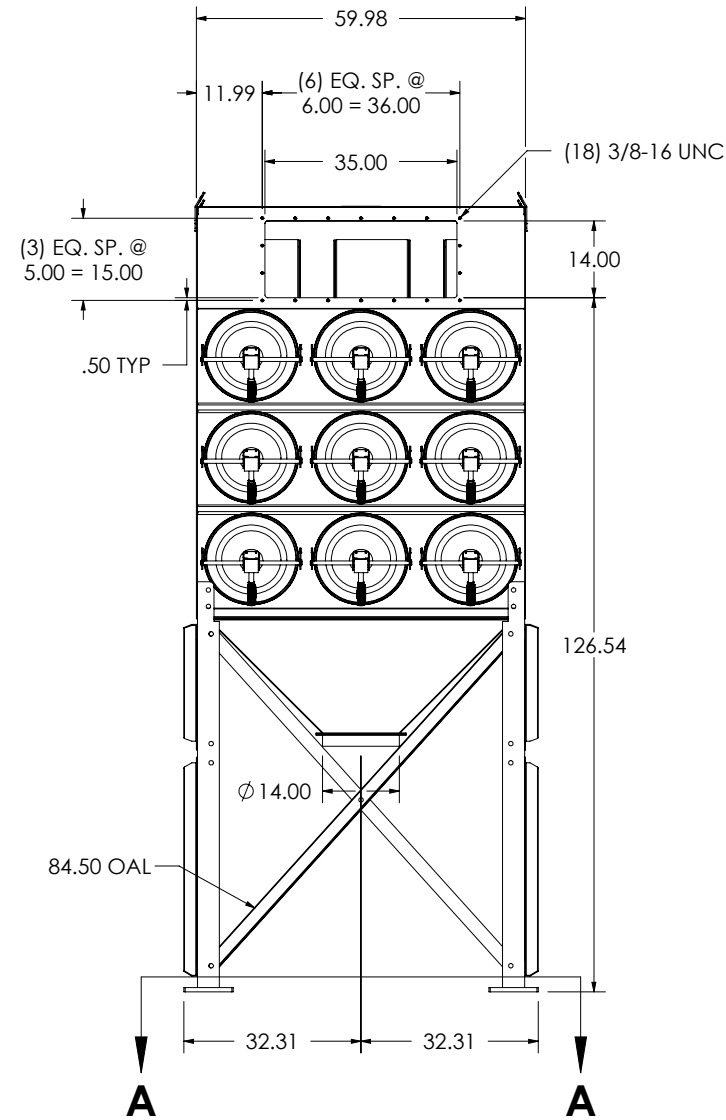
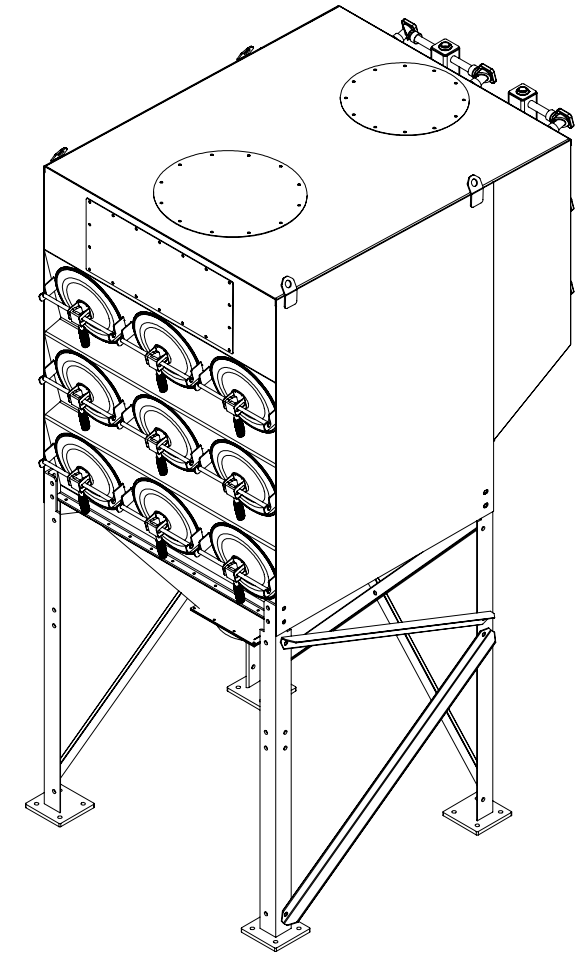


**SECTION A-A**



**SECTION B-B**




**ACCESSORIES:**

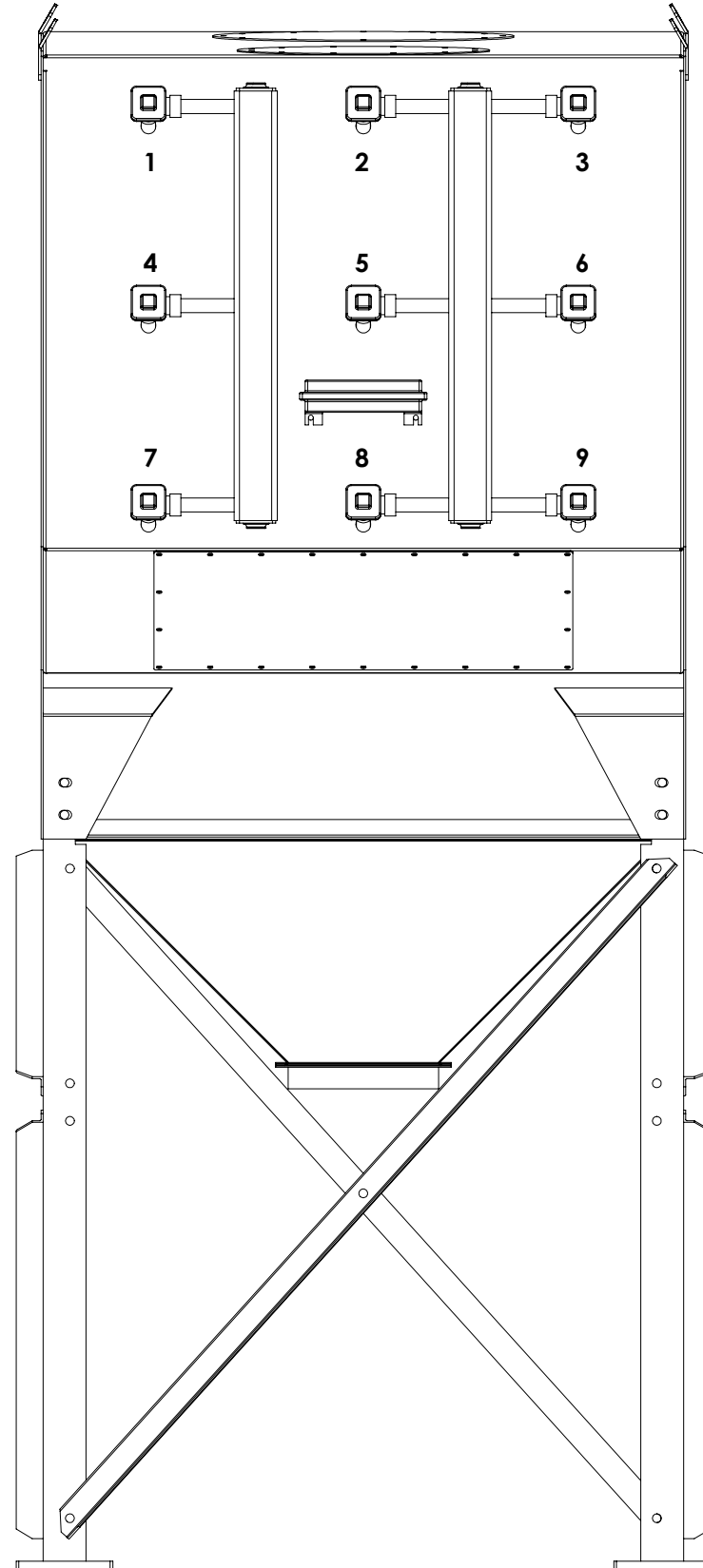
1. FAN BLOWER: TCF 245 BC-SW
2. ALL-IN-ONE CONTROLS W/ VFD (40HP/ 460V)
3. DRUM LID LATCH KIT

**NOTES:**

1. COLLECTOR APPROX. WT: 2,950 LBS

REV	ECN	DATE	BY	CHK	DESCRIPTION
-	-	-	-	-	-
					
95 Cypress Dr. Youngsville, NC 27597 Phone: 919-570-2862 www.avanienvironmental.com					
TITLE SDC-AT-3-18					
DRAWING NO. BC 500061				SHEET 1 OF 1	ITEM -
SCALE 1:35				REV. -	-


DRAWN BY  
JX  
DATE  
6/30/14  
CHKD BY  
JX  
DATE  
6/30/14  
SHOP NO.  
15827-001  
SCALE  
1:35

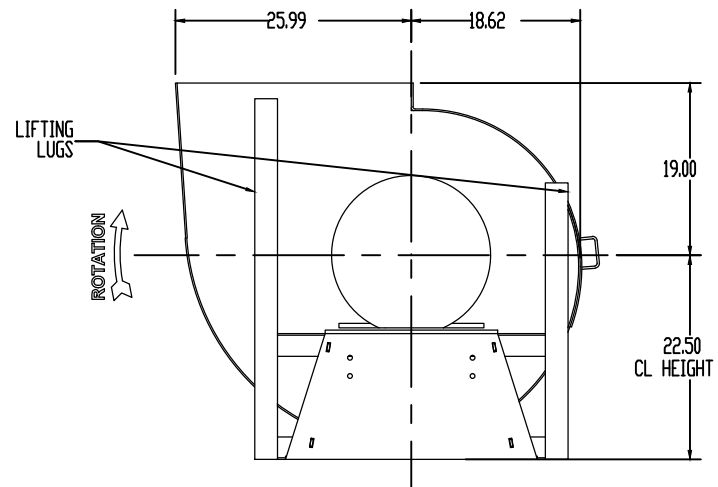


CONNECT THE VALVES TO THE  
TERMINALS ON THE TIMERBOARD

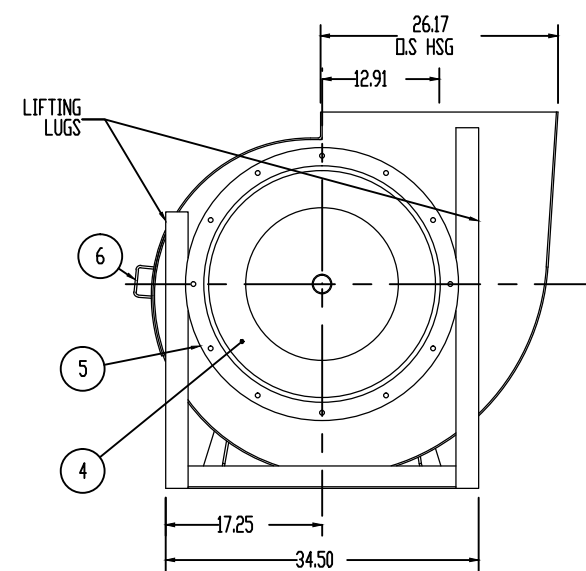
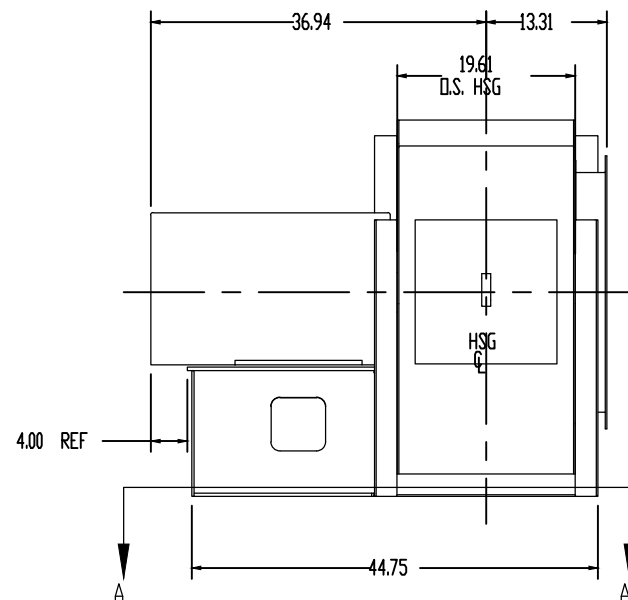
TERMINAL	VALVE
1	1
2	2
3	3
4	4
5	5
6	6
7	7
8	8
9	9
10	

DRAWN BY	JX
DATE	6/30/14
CHKD BY	JX
DATE	6/30/14
SHOP NO.	-
SCALE	1:17

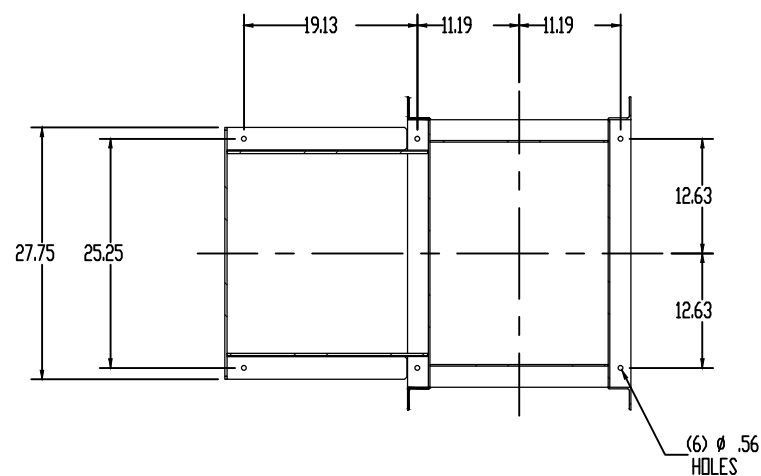
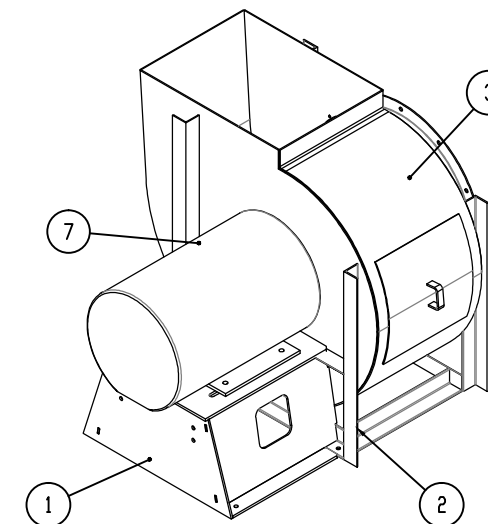
REV	ECN	DATE	BY	CHK	DESCRIPTION		
-	-	-	-	-	-		
					95 Cypress Dr. Youngsville, NC 27597 Phone: 919-570-2862 www.avanienvironmental.com		
TITLE							
SDC-AT-3-18							
DIAPHRAGM VALVE LOCATIONS							
DRAWING NO.					SHEET	ITEM	REV.
BC 500062					1 OF 1	-	-



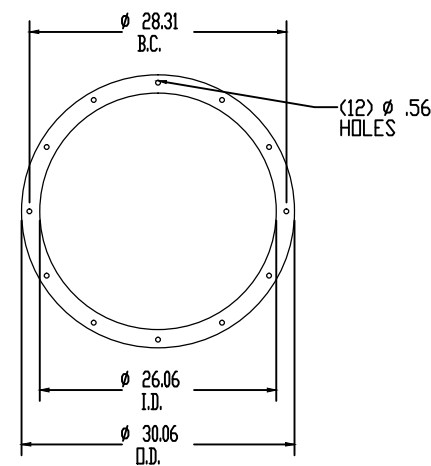
DRIVE SIDE VIEW



INLET SIDE VIEW



FOUNDATION PLAN - TOP VIEW  
SECTION A-A



INLET FLANGE DETAIL

- ACCESSORIES:
1. DRAIN-3/4" NPT W/PLUG
  2. SHAFT SEAL - STD. TYPE
  3. AERVENT GRAY
  4. SPECIAL CRATING #3

ITEM	DESCRIPTION	QTY	NOTES
8	WHEEL (NOT SHOWN)	1	
7	MOTOR	1	40 HP, 1800 RPM, 3/60/230-460V, TEFC-PREMIUM, 324T FURN & MTD BY TCF
6	ACCESS DOOR	1	BOLTED
5	INLET FLANGE	1	7 GA THK FLANGE, PUNCHED
4	INLET CONE	1	
3	HOUSING ASSEMBLY	1	HSG SIDE = 7 GA., SCROLL = 7 GA.
2	FRAME	1	2.5' x 2.5' x .1875' BASE ANGLES
1	PEDESTAL	1	

\* THE DESIGN SHOWN ON THIS DRAWING IS THE EXCLUSIVE PROPERTY OF TWIN CITY FAN COMPANIES, LTD. IT IS NOT TO BE USED FOR ANY PURPOSE OR ITS CONTENTS DISCLOSED WITHOUT OUR WRITTEN CONSENT.

JOB AND LOCATION	PERFORMANCE 'A'
CUSTOMER NAME AVANI	TEMP: 70°F
JOB NAME ACT PD 15827	ELEVATION: 880 FT
JOB ID 5-4-15JY-02	DENSITY: 0.0715
SOL NUMBER 543093	CFM: 12400
TAG UNIT	SP: 12
	RPM: 2520
	BHP: 32.94
	TS: 16163
	UV: 3594
	SCALE: 1:20

DRAWN BY AVA	DATE 07/09/15
CHKD BY PKS	DATE 07/09/15
MOTOR WT 485 LBS	FAN WT 620 LBS
BASE VT	

REV	REV BY	REV DATE	CHK BY	CHK DATE	DESCRIPTION
-	-	-	-	-	-

5959 Trenton Lane N | Minneapolis, MN 55442  
ISO-9001:2008 Registered

DRAWING NO.	ROW	ITEM	SHEET	REV.
BC 543093	001	00	1 OF 1	