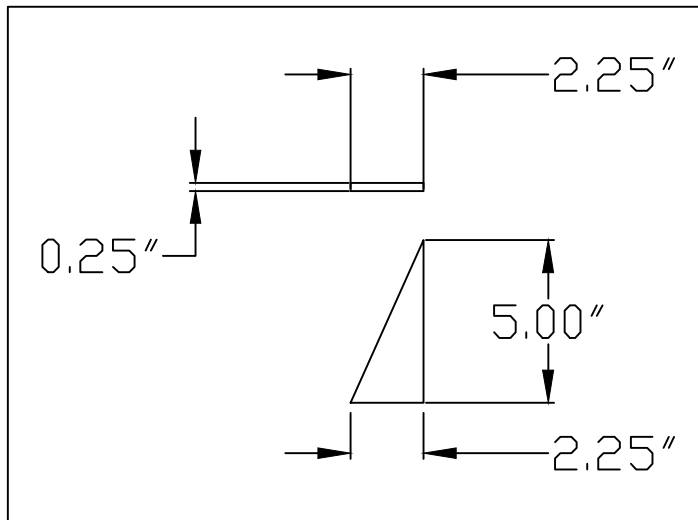
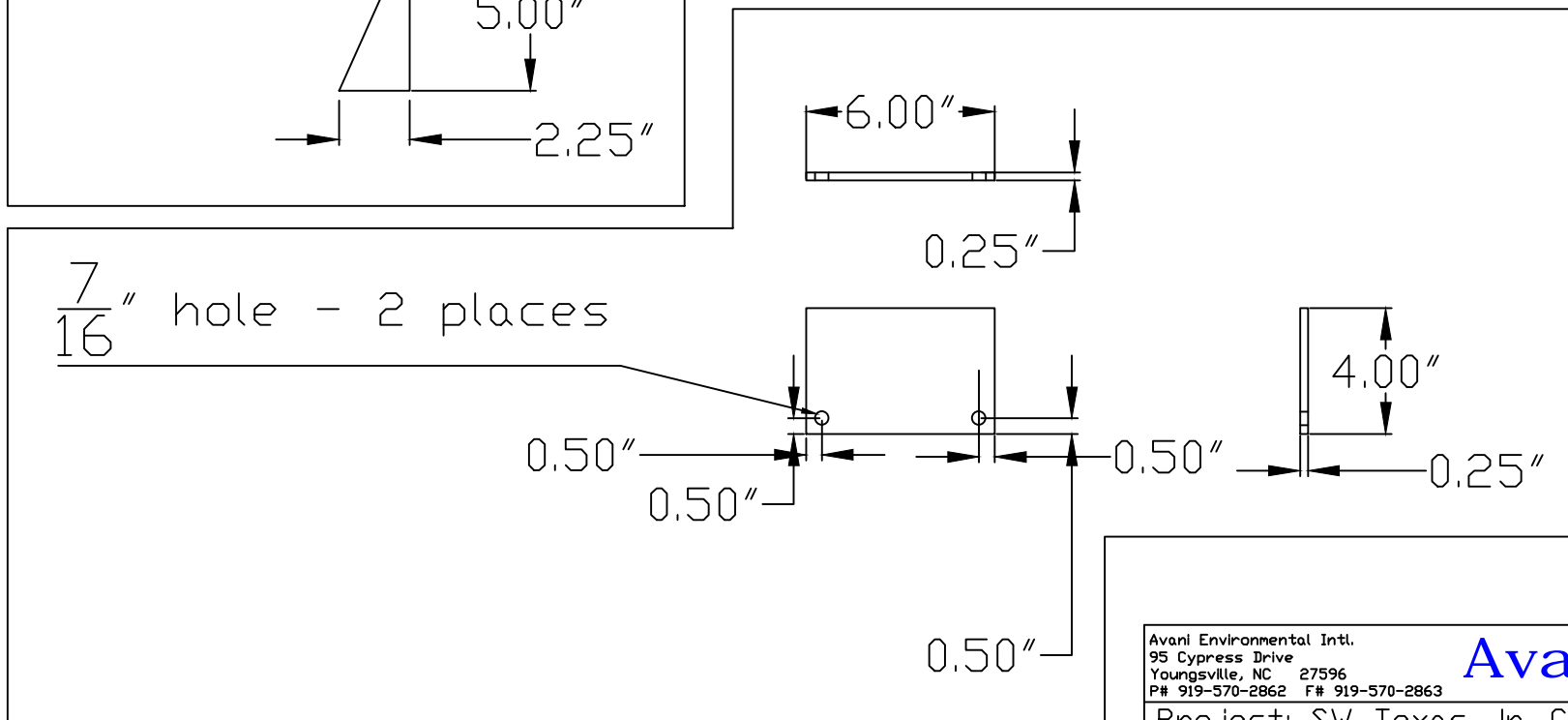


Southwest Texas Jr. College Welding Booth Arm Stands Parts

Gusset



Base Plate



Avani Environmental Intl.
95 Cypress Drive
Youngsville, NC 27596
P# 919-570-2862 F# 919-570-2863

Avani

Project: SW Texas Jr. College

Drawing: Booth Stand Parts

Date: 7/26/13 | Drawn by: WWB

Sheet No: 2 of 2 | Rev: 0