



FAN SELECTION And PERFORMANCE

Your Cincinnati Fan Representative:
 Thomas G. Todd
 Todd Air Solutions
 P.O. Box 4245
 Salisbury NC 28145
 704-630-1101 Phone
 704-630-0528 Fax
 ttodd@toddas.com

Monday, February 13, 2012

Job Name: AVANI ENVIRONMENTAL
 Reference: Quote: 209263

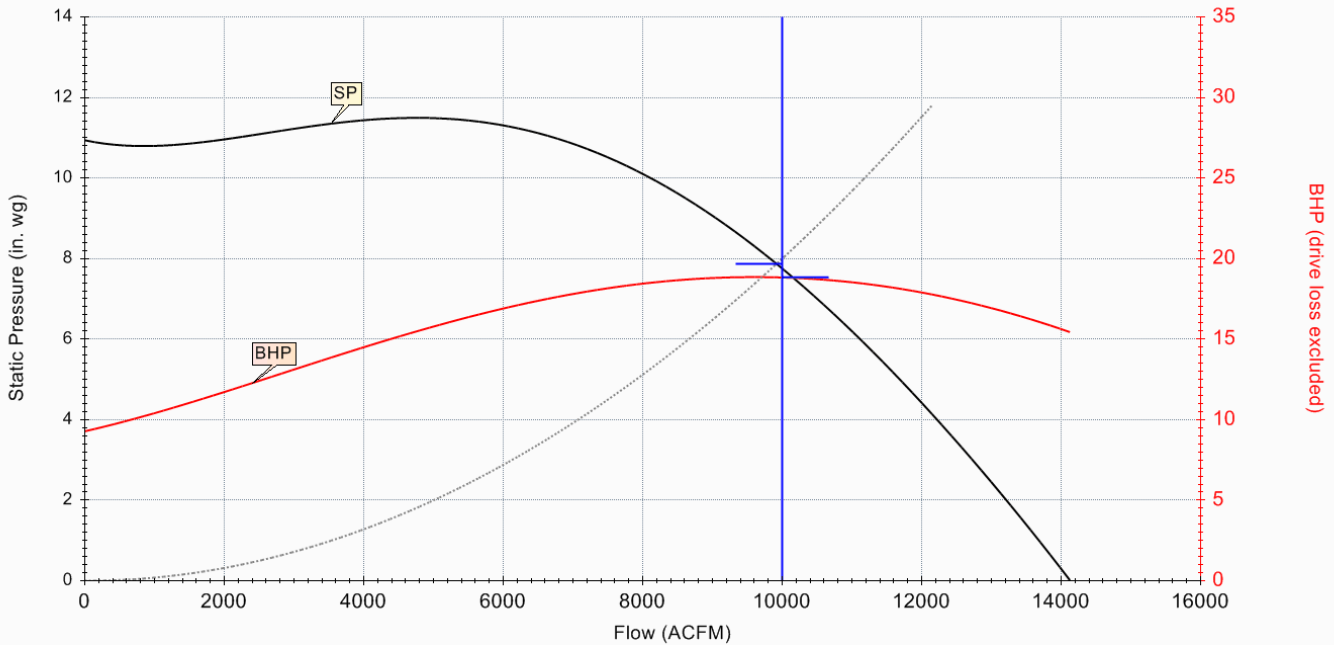
Operating Requirements

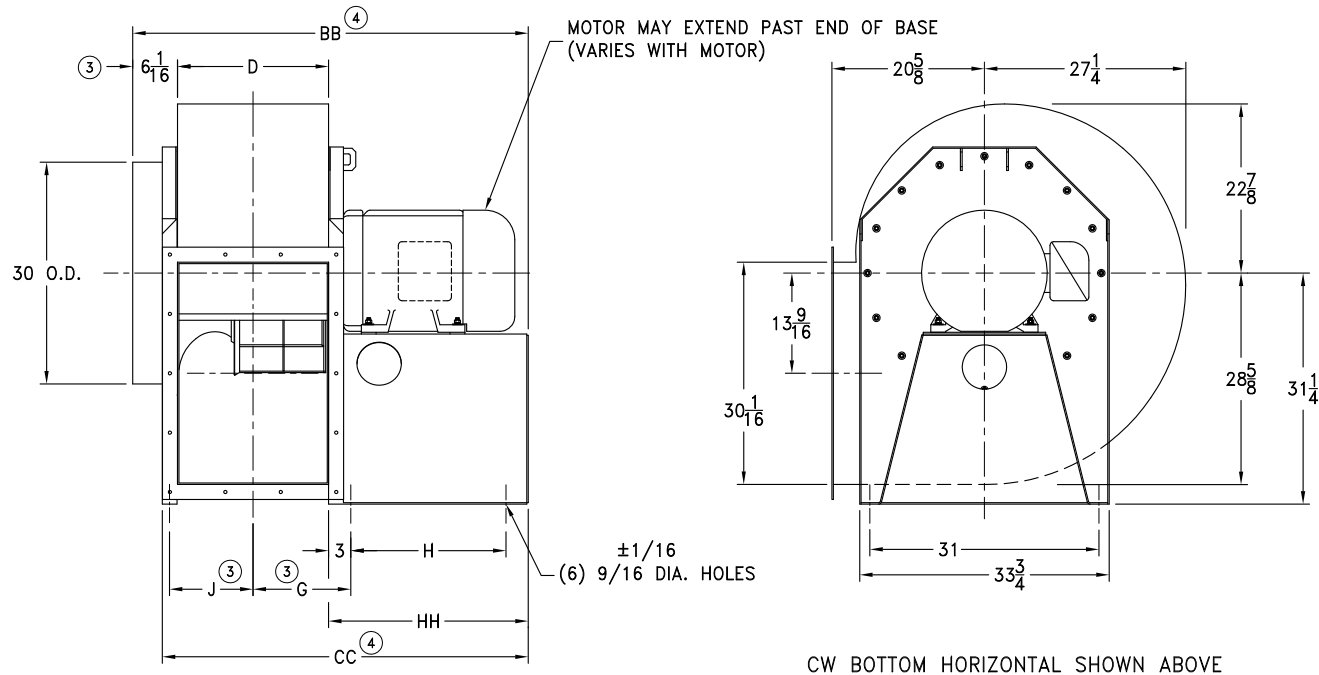
Volume, ACFM	10,000
Static Pressure, in. wg	8.0
Density, lb./ft. ³	0.075
Operating Temperature, °F	70
AMCA Arrangement No.	4
Motor Frequency, Hz	60
Start-Up Temperature, °F	70

Fan Selection and Specifications

Model	HDBI-270	
Fan RPM	1,750	
Wheel Description	SQ Backward Inclined	
Wheel Width, %	70%	
Wheel Diameter, in.	29.13	
Inlet Diameter, in.	30.00	
Outlet Velocity, ft./min.	2,754	
Fan BHP	18.8	Suggested Motor HP: 20.0
Static Efficiency, %	65.2%	
Cold Start BHP	18.8	
Construction Class	Class III	

Cincinnati Fan HDBI-270 SQ Backward Inclined Wheel (70% Width) @ 1,750 RPM
 Rating Point: 10,000 ACFM @ 8.0 in. wg SP, 0.075 lb./ft.³ Density, 18.8 BHP

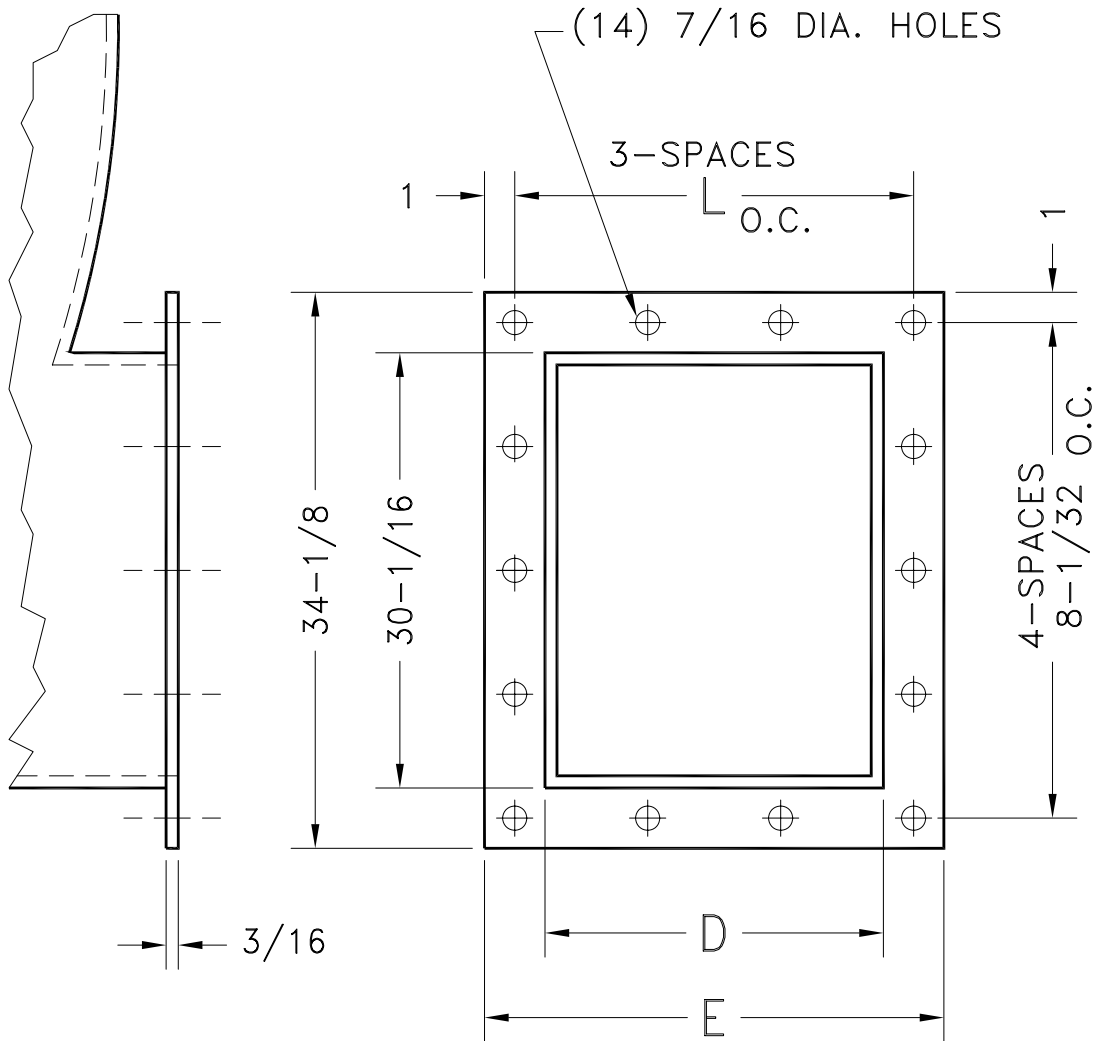




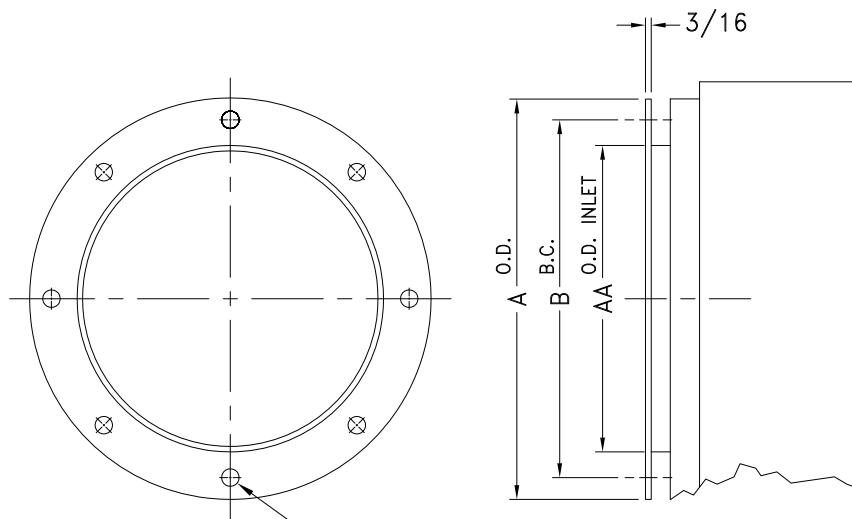
% WIDTH	D	G	J	STANDARD BASES (SMALL)		
				H	HH	WEIGHT *
100%	20 7/16	13 7/32	11 5/16	44	40	690
95%	19 15/16	12 31/32	11 1/16	43 1/2	39 1/2	685
90%	19 3/8	12 11/16	10 3/4	42 15/16	38 15/16	680
85%	18 7/8	12 7/16	10 1/2	42 7/16	38 7/16	675
80%	18 5/16	12 5/32	10 1/4	41 7/8	37 7/8	670
75%	17 13/16	11 29/32	10	41 3/8	37 3/8	665
70%	17 1/4	11 5/8	9 11/16	40 13/16	36 13/16	660
65%	16 3/4	11 3/8	9 7/16	40 5/16	36 5/16	655
60%	16 3/16	11 3/32	9 5/32	39 3/4	35 3/4	650
55%	15 11/16	10 27/32	8 29/32	39 1/4	35 1/4	645
50%	15 1/8	10 9/16	8 5/8	38 11/16	34 11/16	640

		LARGE BASES		
		MOTOR FRAME 284T-326T		
H	HH	BB	CC	WEIGHT *
21	27	53 1/2	49 1/2	730
		53	49	725
		52 7/16	48 7/16	720
		51 15/16	47 15/16	715
		51 3/8	47 3/8	710
		50 7/8	46 7/8	705
		50 5/16	46 5/16	700
		49 13/16	45 13/16	695
		49 1/4	45 1/4	690
		48 3/4	44 3/4	685
48 3/16	44 3/16	680		

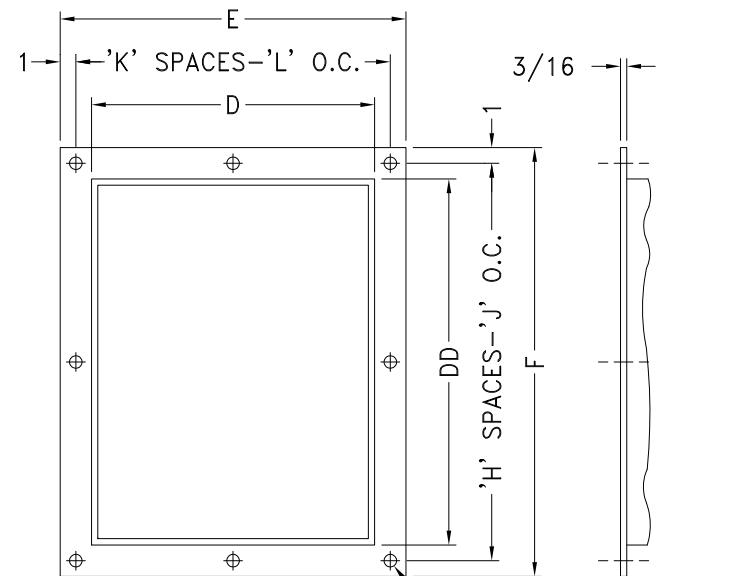
- NOTES:
- FANS ARE ROTATABLE IN 45° INCREMENTS.
 - DISCHARGE FLANGE IS STANDARD.
 - ADD 1/8" FOR AMCA "C" CONSTRUCTION FANS AND/OR DOWNBLAST DISCHARGE POSITION.
 - ADD 1/4" FOR AMCA "C" CONSTRUCTION FANS AND/OR DOWNBLAST DISCHARGE POSITION.
 - * 5. WEIGHT DOES NOT INCLUDE MOTOR OR OPTIONS.



% WIDTH	D	E	L
110	21-7/16	25-7/16	7-13/16
100	20-7/16	24-1/2	7-1/2
95	19-15/16	24	7-11/32
90	19-3/8	23-7/16	7-5/32
85	18-7/8	22-15/16	6-31/32
80	18-5/16	22-3/8	6-25/32
75	17-13/16	21-7/8	6-5/8
70	17-1/4	21-5/16	6-7/16
65	16-3/4	20-13/16	6-9/32
60	16-3/16	20-1/4	6-3/32
55	15-11/16	19-3/4	5-29/32
50	15-1/8	19-3/16	5-23/32



INLET FLANGE "N" HOLES, "P" DIA.

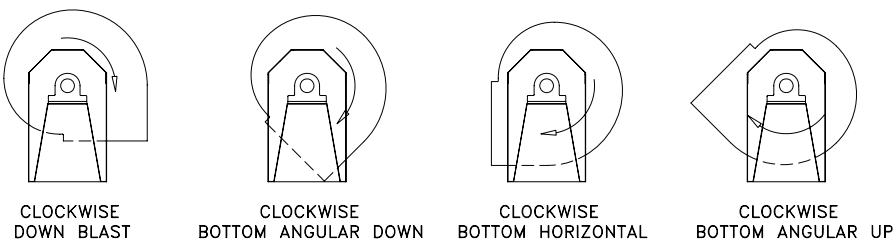
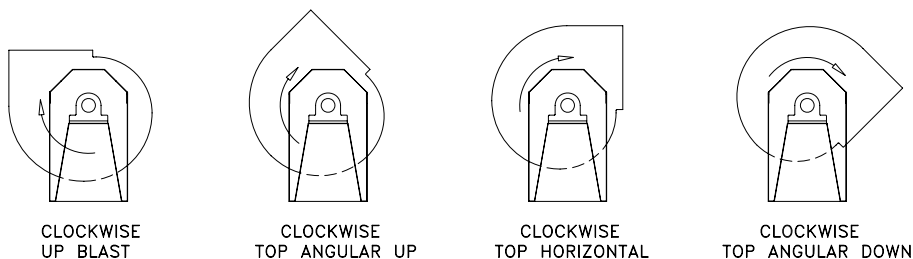


DISCHARGE FLANGE ① "M" 7/16 DIA. HOLES

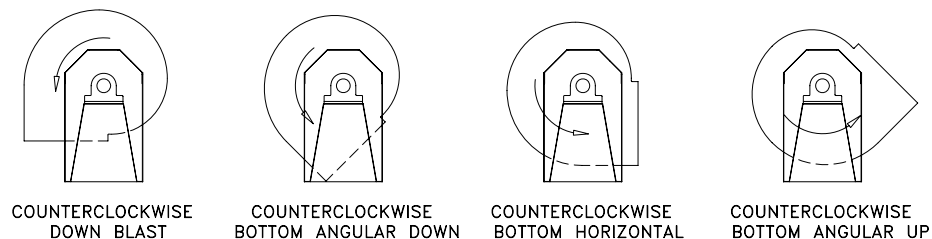
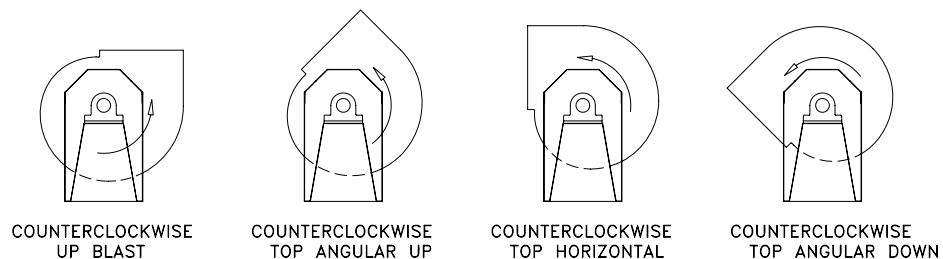
SIZE	INLET					DISCHARGE								
	A O.D.	B B.C.	N	AA DIA.	P	D	E	F	H	J	K	L	M	DD
120	16	14-3/8	8	13-1/4	7/16	9-3/8	13-3/8	17-11/16	2	7-27/32	2	5-11/16	8	13-3/4
130	17-3/4	15-15/16	8	14-5/8	7/16	10-3/8	14-3/8	19-3/16	2	8-19/32	2	6-3/16	8	15-1/4
150	19-1/4	17-1/2	8	16-1/8	7/16	11-3/8	15-3/8	20-3/4	3	6-1/4	2	6-11/16	10	16-13/16
160	21-1/8	19-3/8	8	18	7/16	12-1/2	16-1/2	22-7/16	3	6-13/16	2	7-1/4	10	18-7/16
180	23-1/2	21-1/2	12	20	7/16	13-7/8	17-7/8	24-1/2	3	7-1/2	2	7-15/16	10	20-3/8
200	25-1/2	23-1/2	12	22	7/16	15-1/4	19-1/4	26-3/8	3	8-1/8	3	5-3/4	12	22-3/8
220	28-1/8	26-1/8	12	24-5/8	7/16	16-7/8	20-15/16	28-7/8	4	6-23/32	3	6-5/16	14	24-7/8
240	30-3/4	28-3/4	16	27	7/16	18-9/16	22-5/8	31-3/8	4	7-11/32	3	6-7/8	14	27-3/8
270	33-3/4	31-5/8	16	30	7/16	20-7/16	24-1/2	34-1/8	4	8-1/32	3	7-1/2	14	30-1/16
300	37-1/4	35-1/4	16	33-1/2	7/16	22-3/4	26-3/4	37-5/8	5	7-1/8	3	8-1/4	16	33-9/16
330	40-3/8	38-3/4	16	36-3/4	1/2	24-7/8	28-7/8	40-7/8	7	5-9/16	5	5-3/8	24	36-3/4
360	43-5/8	42	16	40	1/2	27-1/4	31-1/4	44-1/4	7	6-1/32	5	5-27/32	24	40-1/4

NOTE:
 ① NOT AVAILABLE ON ANY MODEL FOR DOWNBLAST, BOTTOM ANGULAR DOWN OR TOP ANGULAR DOWN DISCHARGE POSITIONS.
 DISCHARGE FLANGE IS STANDARD ON SIZES -270 THRU -360.

CLOCKWISE ROTATION



COUNTERCLOCKWISE ROTATION



NOTES:

1. DIRECTION OF ROTATION IS DETERMINED FROM DRIVE SIDE OF FAN.
2. SAME AS AMCA STANDARD 99-2406-83.