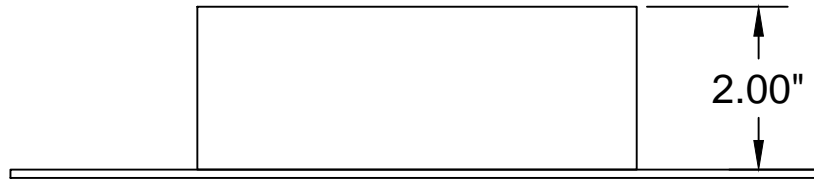
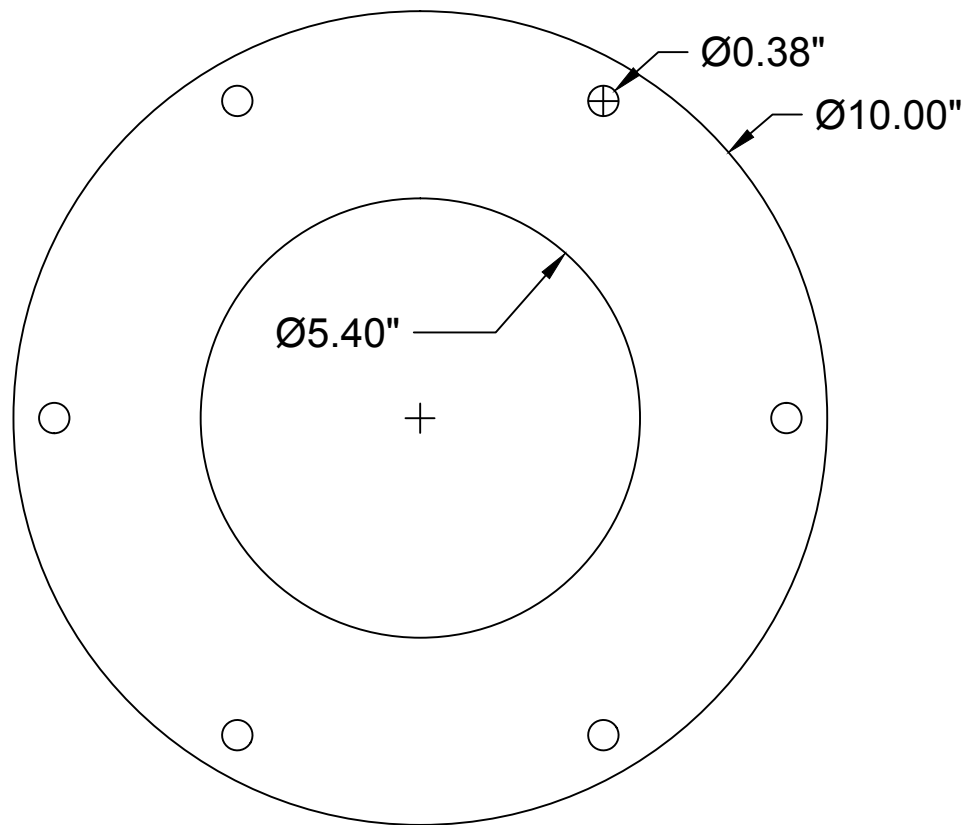


Sonic Systems SO21183 Connecting Flange



Side View



Top View

Avani Environmental Intl. Inc.
95 Cypress Drive
Youngsville, NC 27596
P# 919-570-2862 F# 919-570-2863

Avani

Project: Sonic Systems SO21183

Drawing: Connecting Flange

Date: 3/31/14

Drawn by: MDT

Sheet No: 1 OF 1