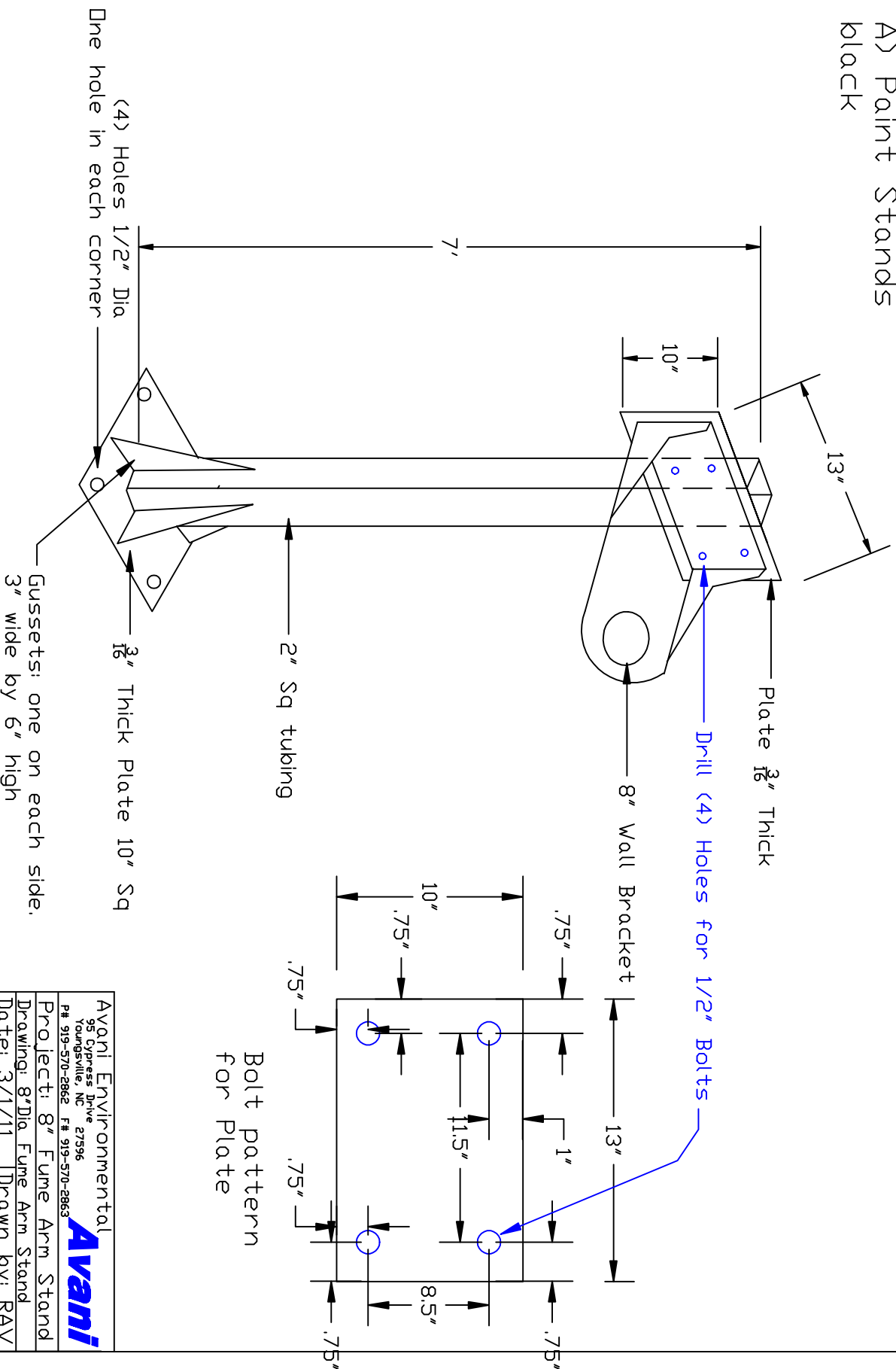


8" Dia OSkar Fume Arm Stand

Notes:
A) Paint Stands
black



| | |
|---------------------------------|---------------|
| Avani Environmental | |
| 95 Cypress Drive 27596 | |
| Youngsville, NC F# 919-570-2863 | |
| P# 919-570-2862 | |
| Project: 8" Fume Arm Stand | Avani |
| Drawing: 8" Dia Fume Arm Stand | |
| Date: 3/1/11 | Drawn by: RAV |
| Revision | Date: |