



Date: March 16, 2011

To: Smith Electric / BMA

Project:

Attn:

Recommended Equipment:

(1) SDC-15G-9 Cartridge Collector Drum Type

- silencer
- pipe ducting from the collector outlet to blower inlet
- square to round

3D illustrated for submittal drawing dated 2011.03.15

Avani Environmental Intl. Inc.
95 Cypress Drive
Youngsville, NC 27596
www.avanienvironmental.com

Phone: (919) 570-2862
Fax: (919) 570-2863
Email: info@avanienvironmental.com
www.weldingbooths.com

The drawings, AutoCAD, 3-D Models, and specifications are the property of Avani Environmental Intl. Inc. (AE) and may not be reproduced, distributed, modified, or otherwise used, except provided herein, without the express written permission of AE.

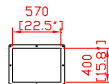
DO NOT SCALE

IF IN DOUBT ASK

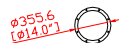


Revisions			
Rev	Description	Date	Approved

Collector Outlet



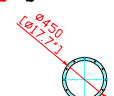
Collector Inlet



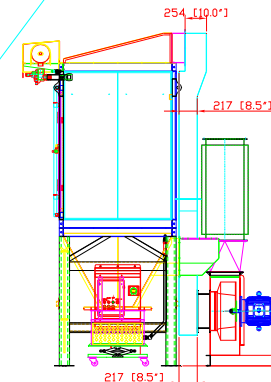
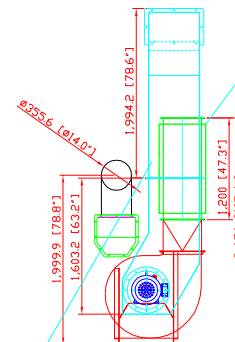
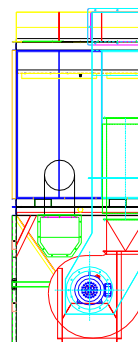
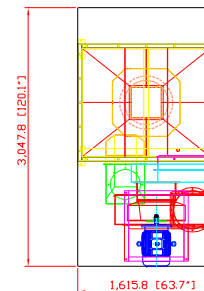
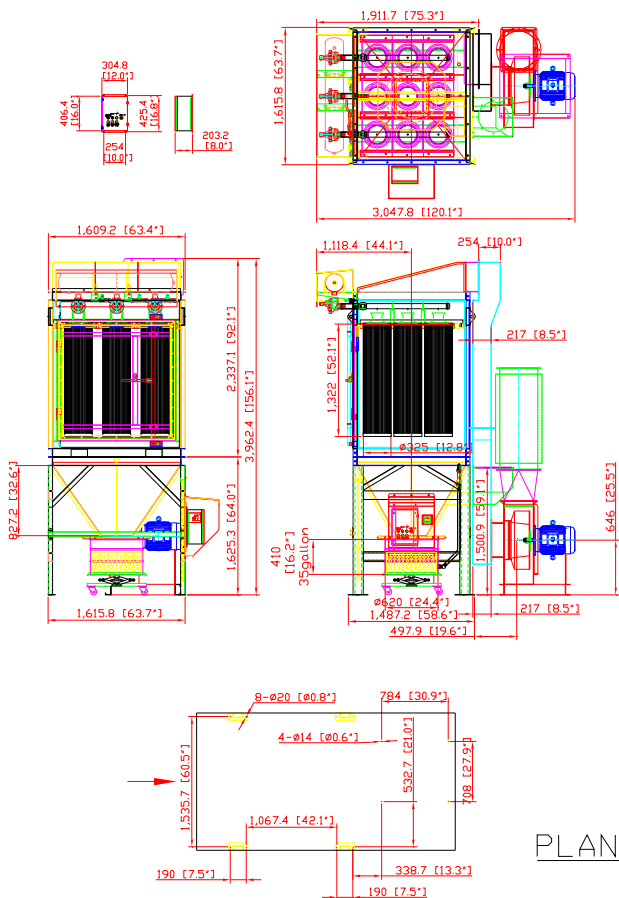
Silencer Outlet



Blower Inlet



PLAN DETAIL



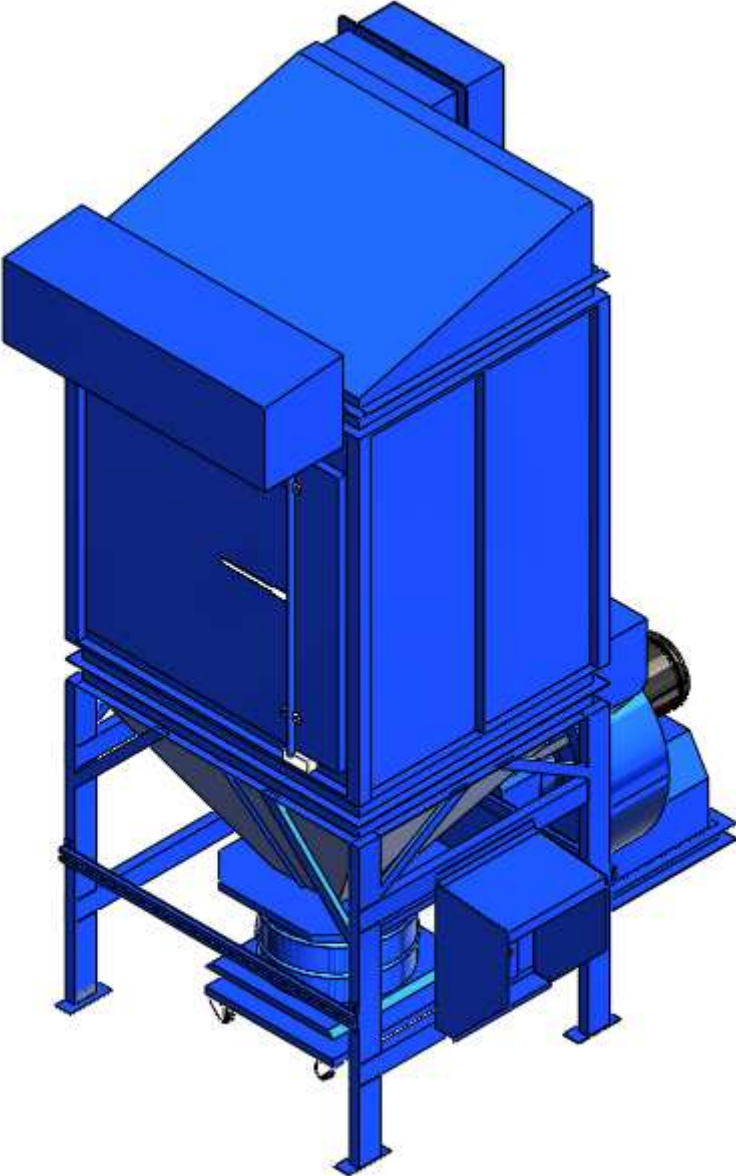
② : silencer

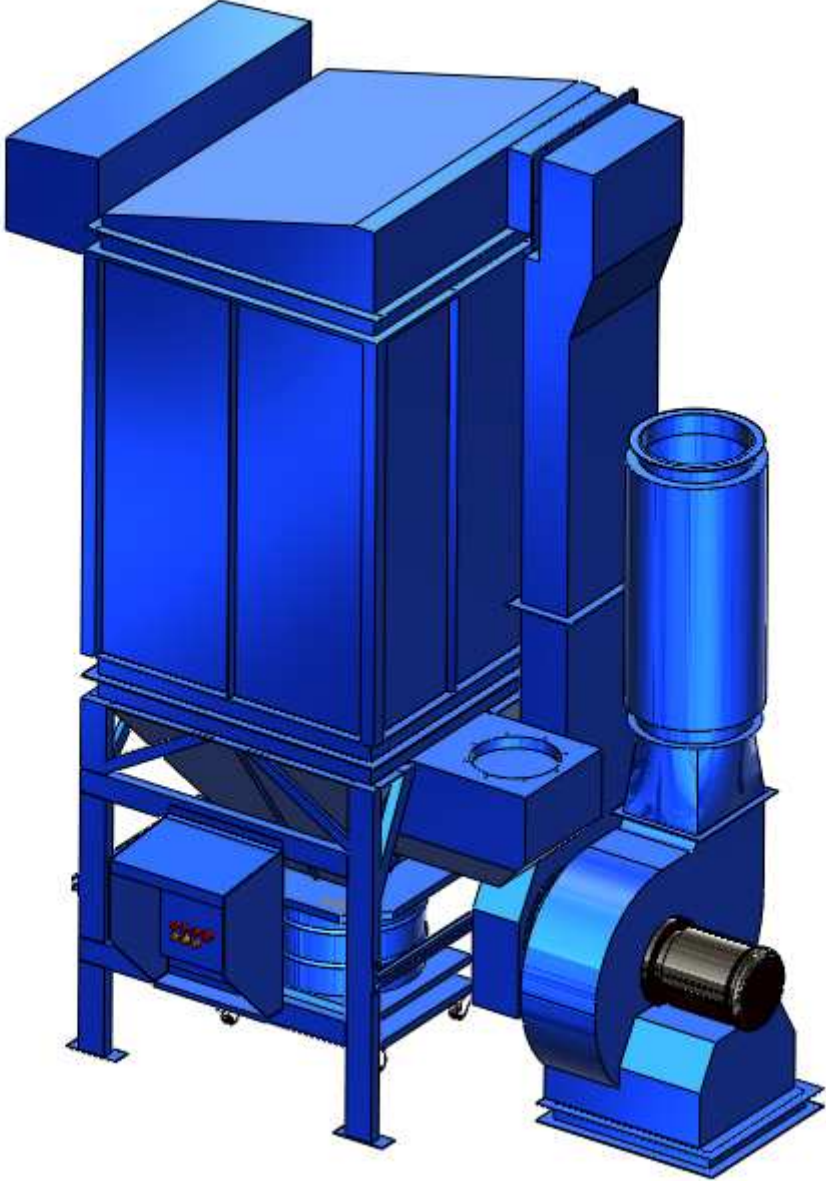
① : pipe ducting from the collector outlet to blower inlet

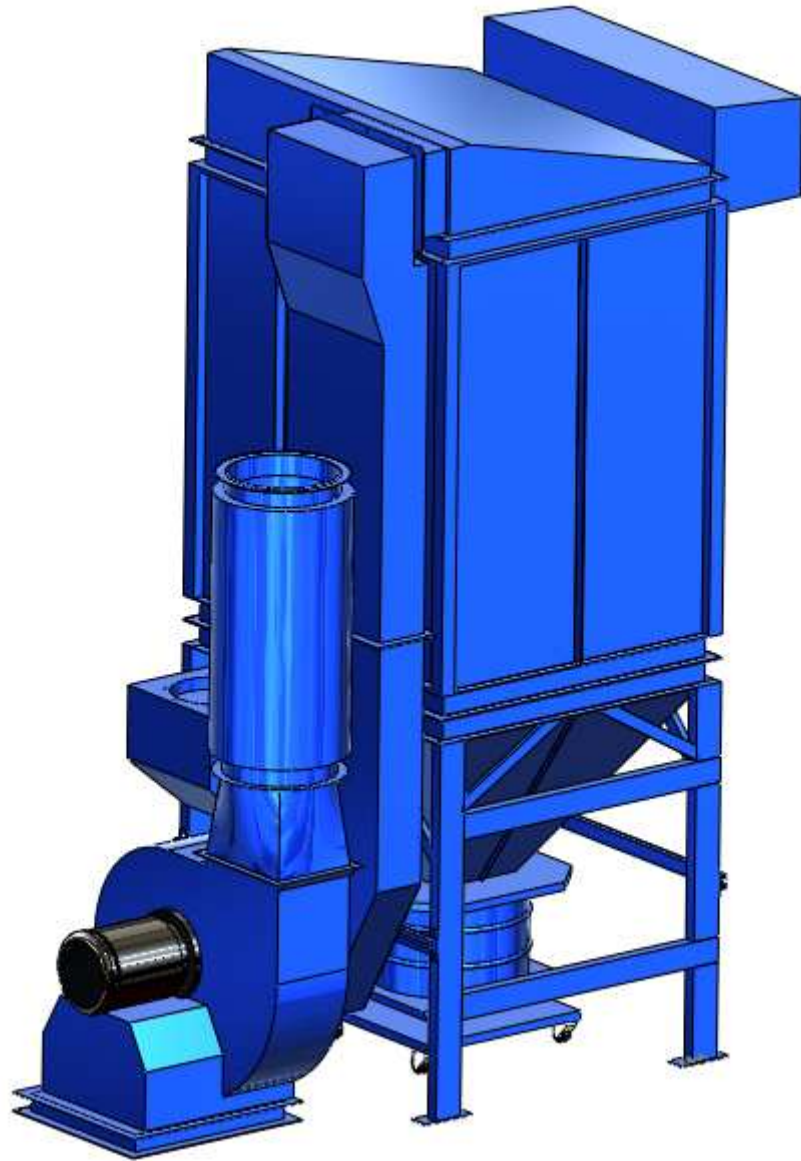
AVANI ENVIRONMENTAL INTL. INC. Sales Department
 95 Cypress Drive
 Youngsville, NC 27596
 (919) 570-2862
 info@avanienvironmental.com

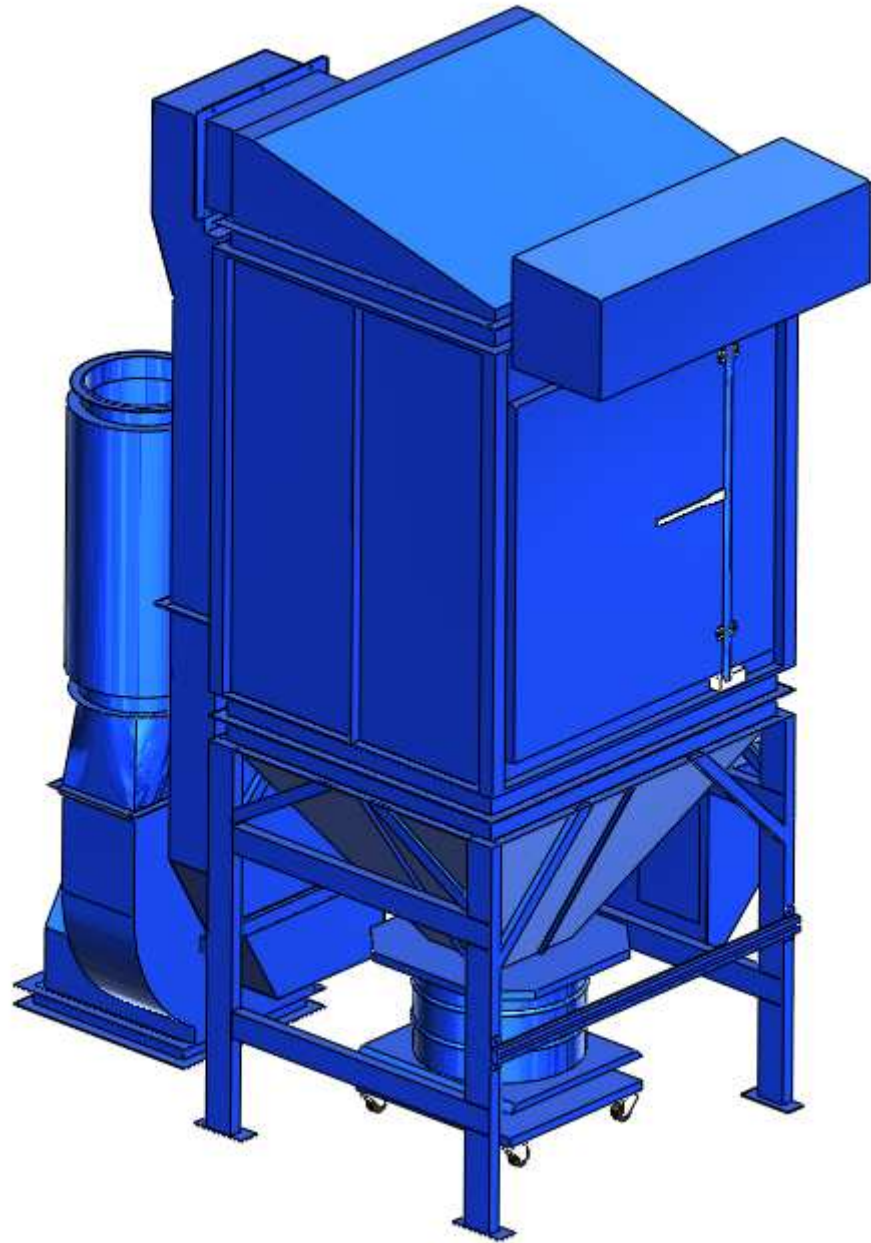
Drawn by:	Date	Name	Part Number: SDC-15G-9	Title: Large Cartridge Collector
Checked by:	2011-03-15	***		
The drawings, AutoCAD, 3-D Models, and specifications are the property of Avani Environmental Intl. Inc. (AE) and may not be reproduced, distributed, modified, or otherwise used, except provided herein, without the express written permission of AE.			Size A	Scale 1 = 45

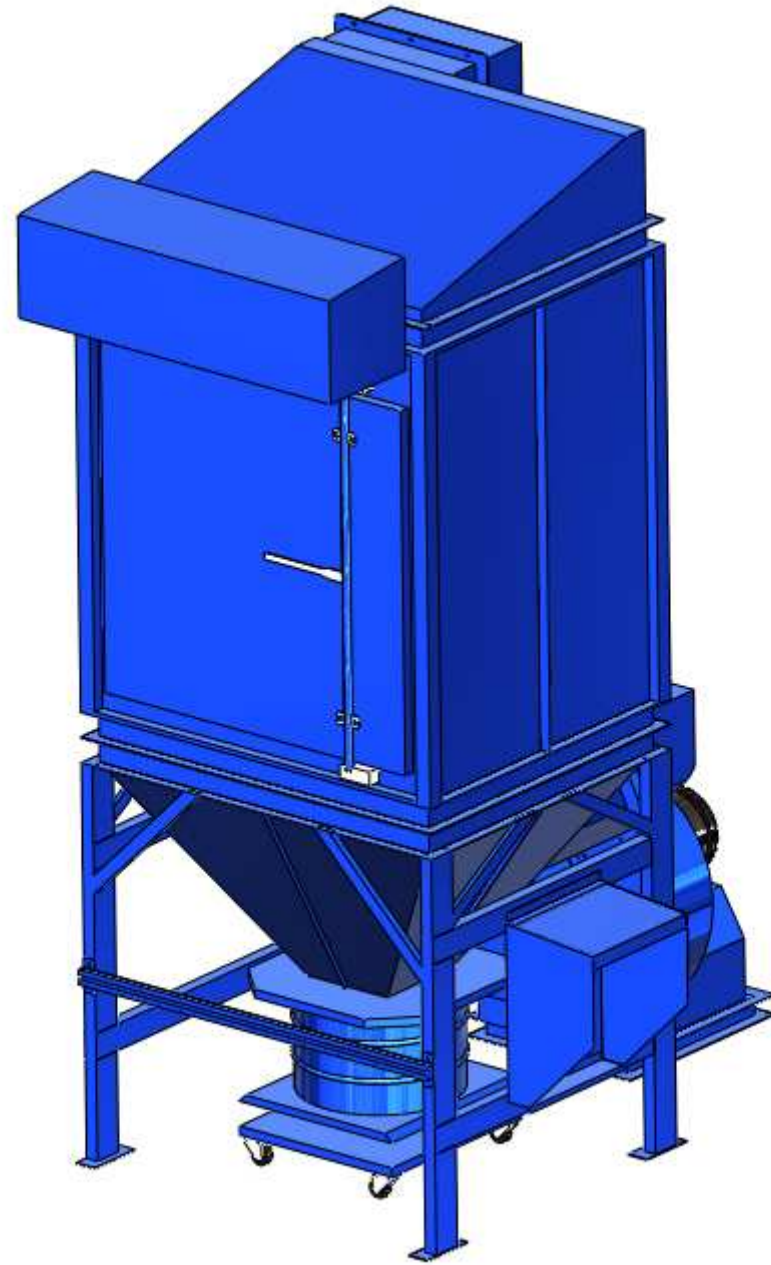
Drawing Number: ***		
------------------------	--	--

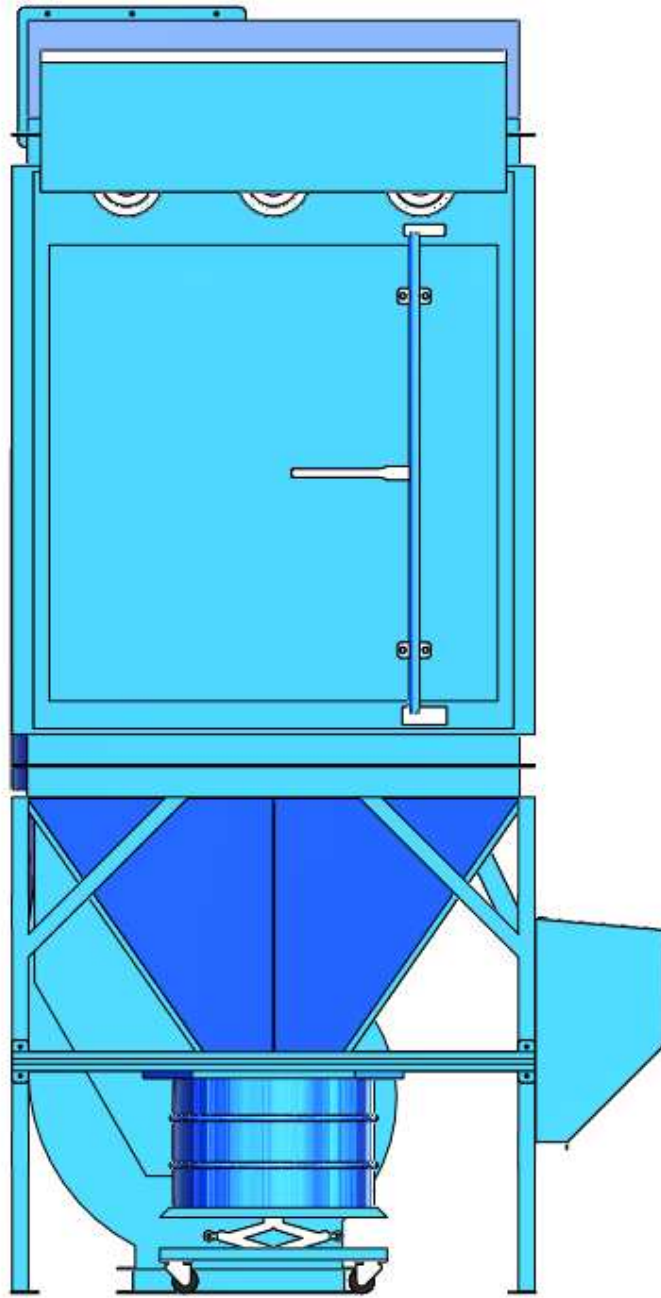


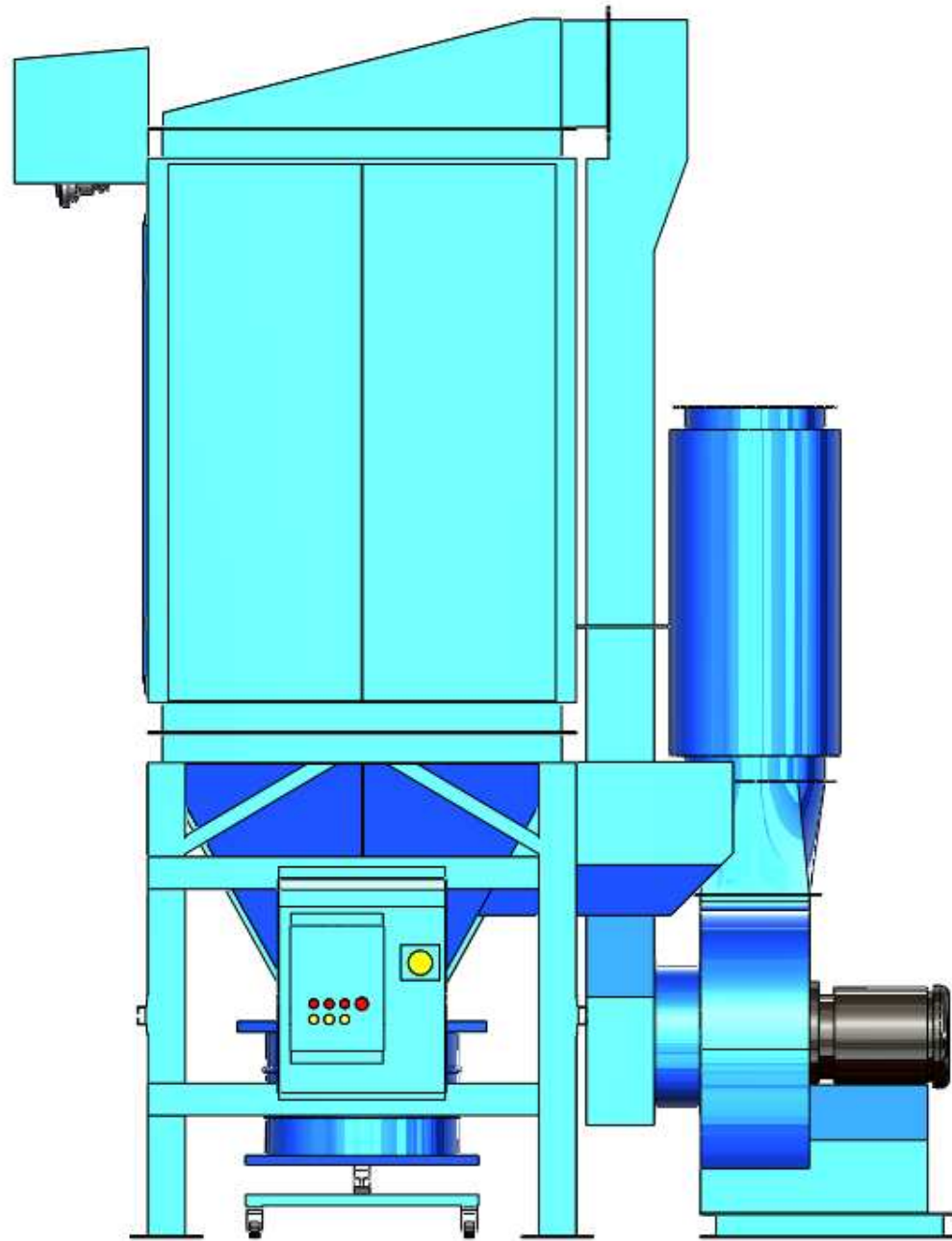


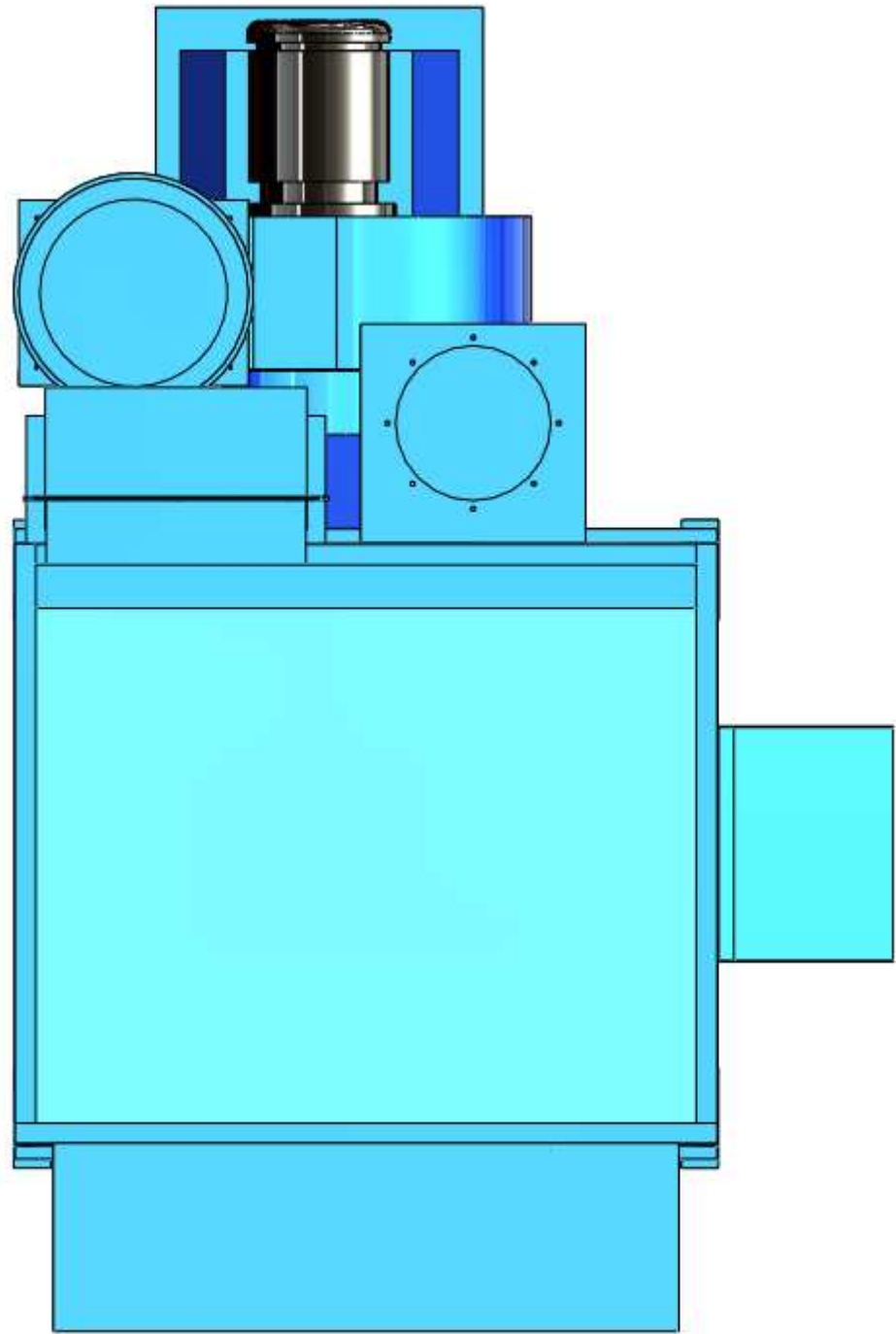


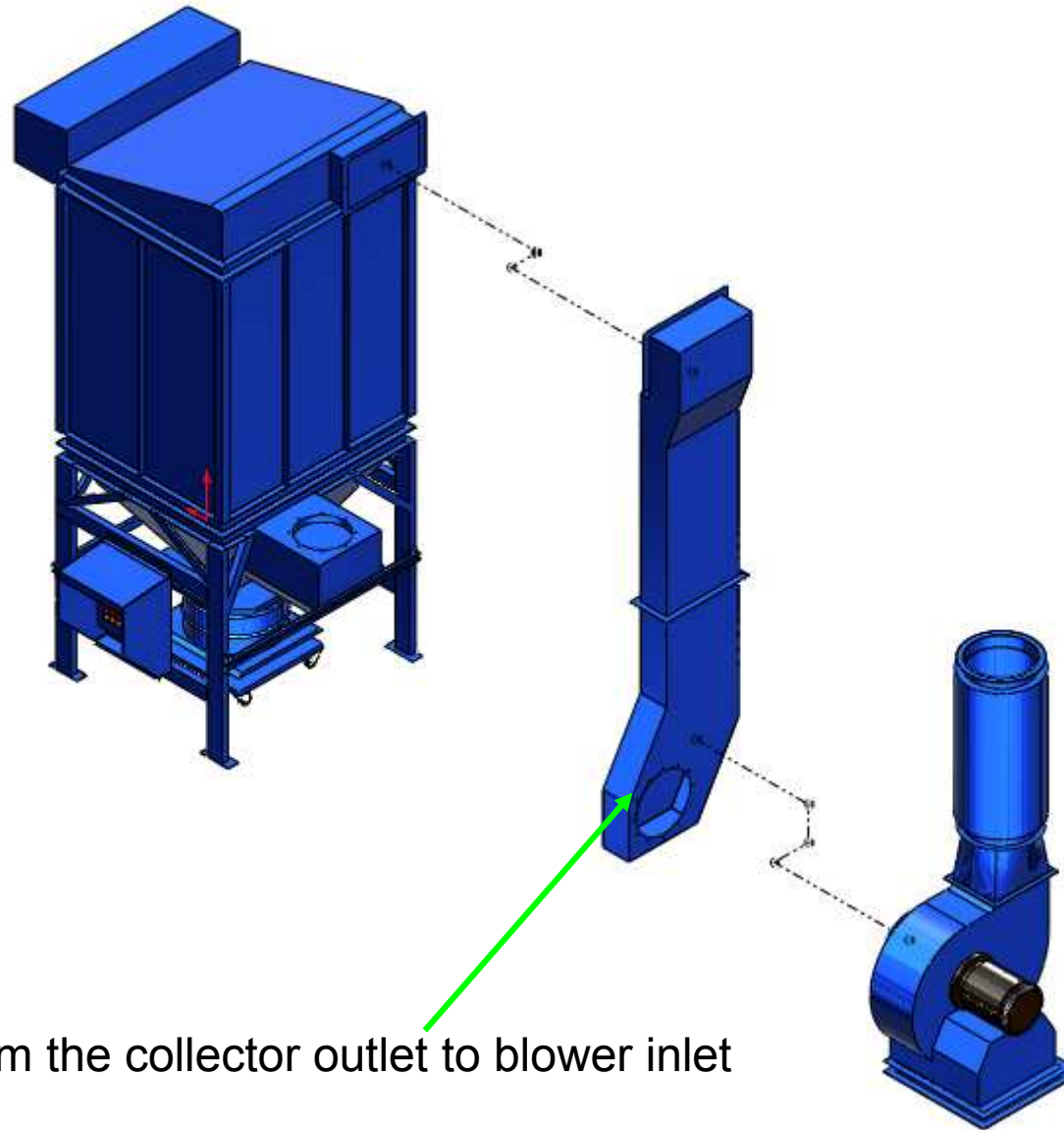




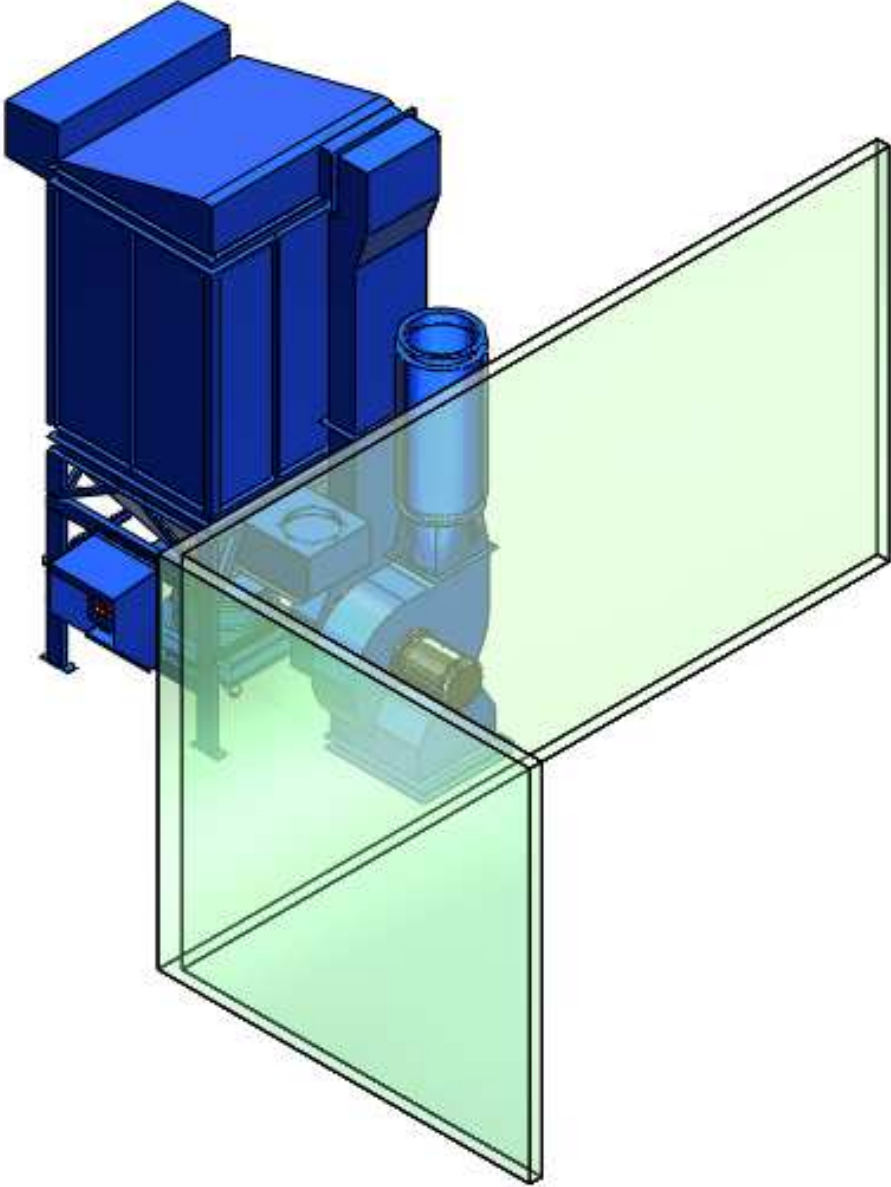


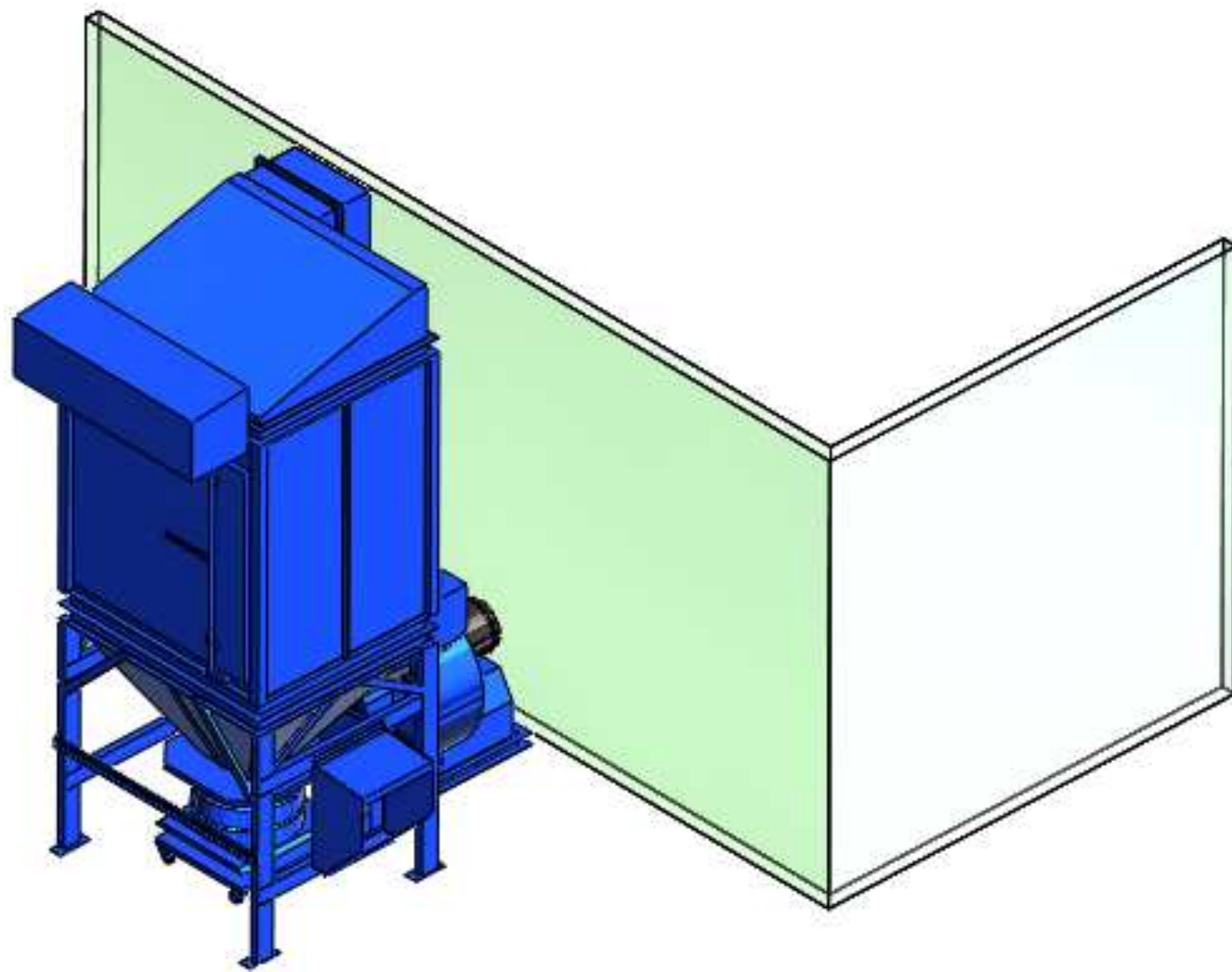


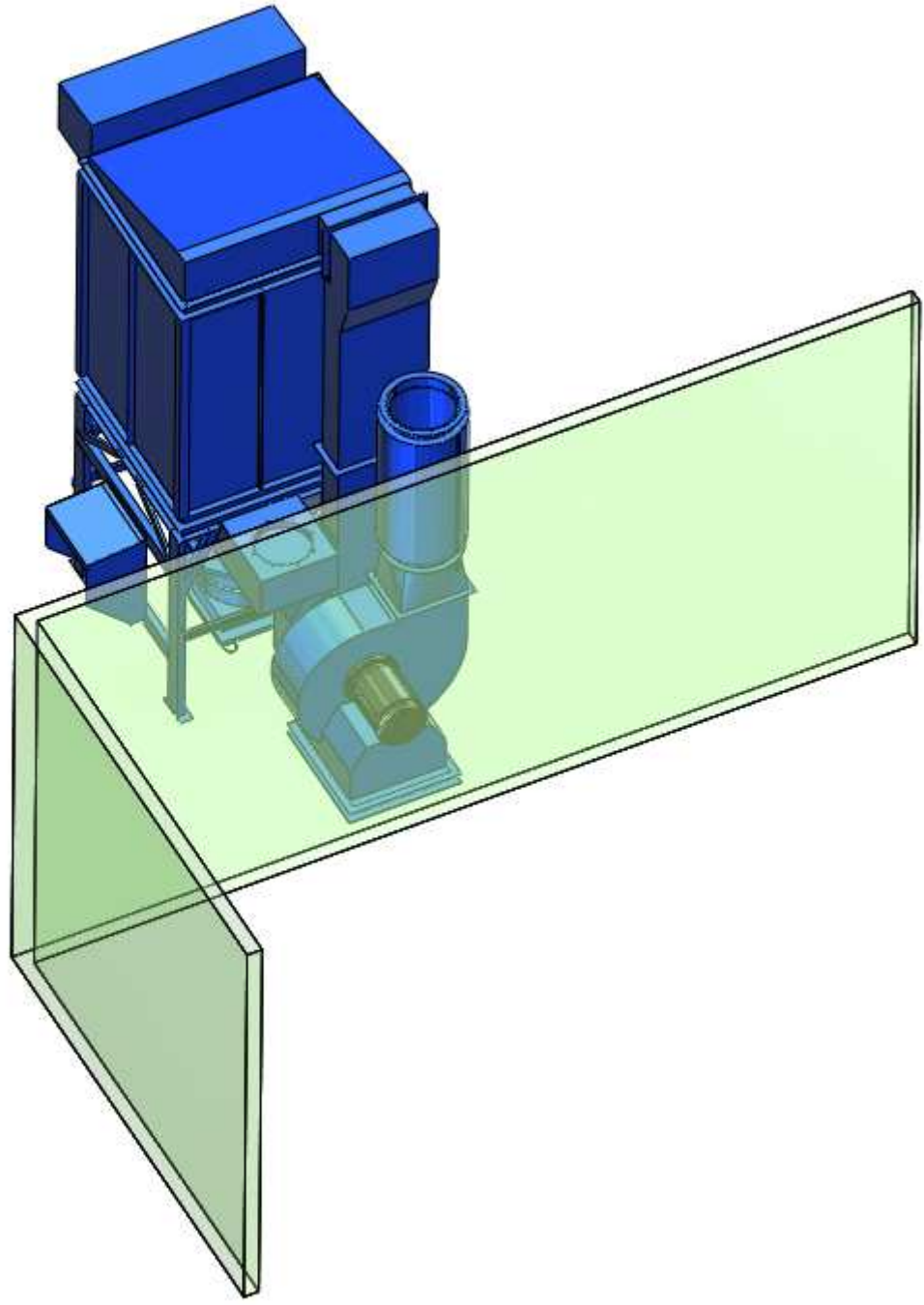


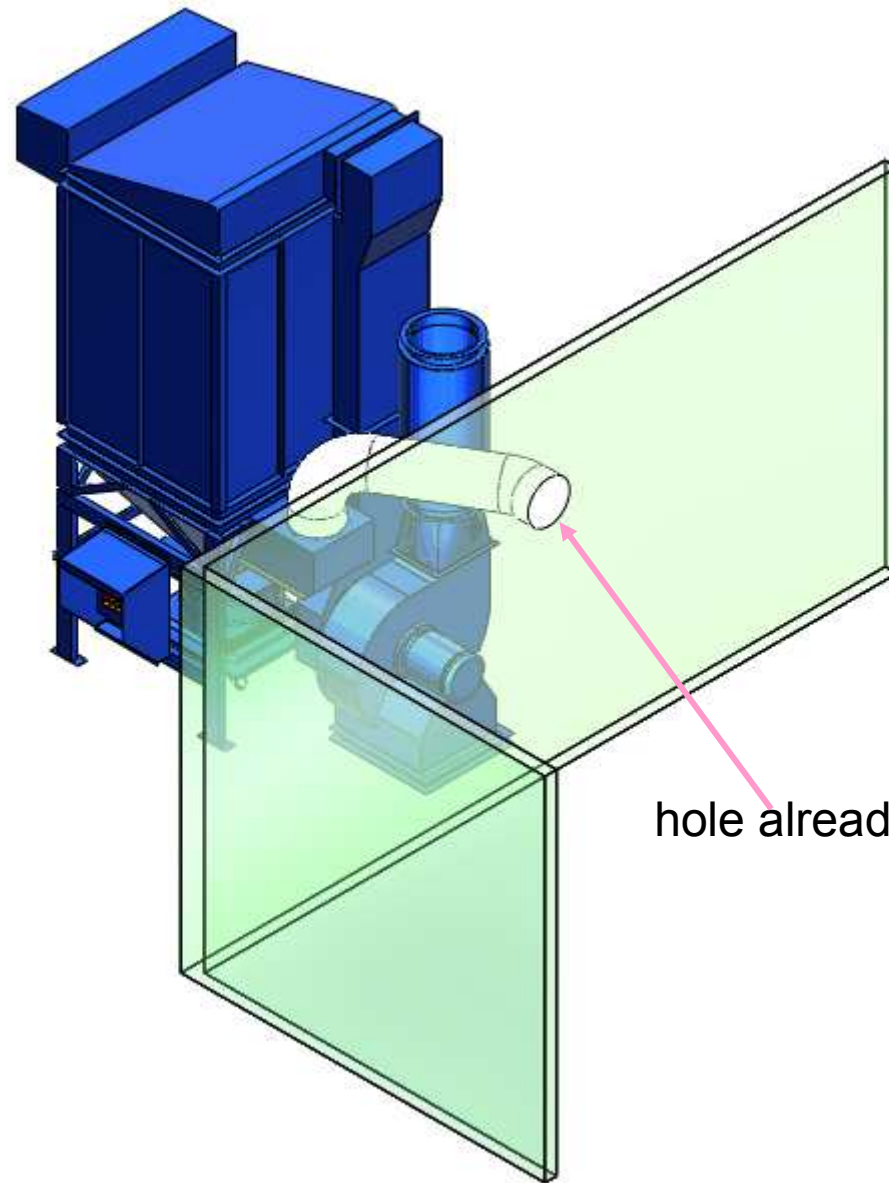


pipe ducting from the collector outlet to blower inlet









hole already cut in the building

