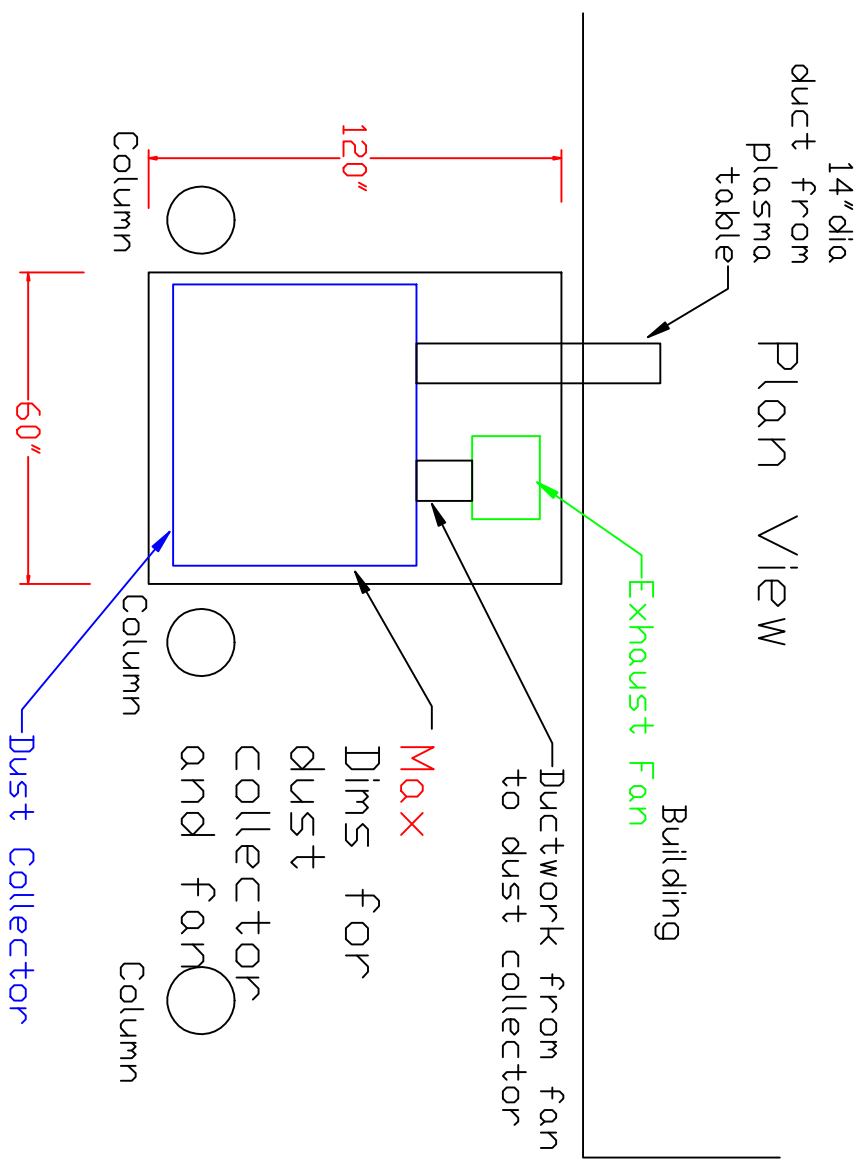


# Avani Dust Collector Layout



Note: The MAX height is 13 feet

- Notes:
- A) Max dimensions that the fan and dust collector must fit into: 60" wide by 120" long by 13 feet high.
  - B) Fan CFM is 4000
  - C) Motor: 460 volt 3phase
  - D) 14" diameter for inlet to dust collector
  - E) Discharge air from fan will be outside
  - F) There is a roof over the dust collector at 13', so access to the top is limited.

Avani Environmental 95 Cypress Drive Raleighville, NC 27596 P# 919-570-2862 F# 919-570-2863	<b>Avani</b>
Project: Smith Electric	
Drawing: Dust collector	
Date: 1/6/11	Drawn by: RAV
Sheet No:	