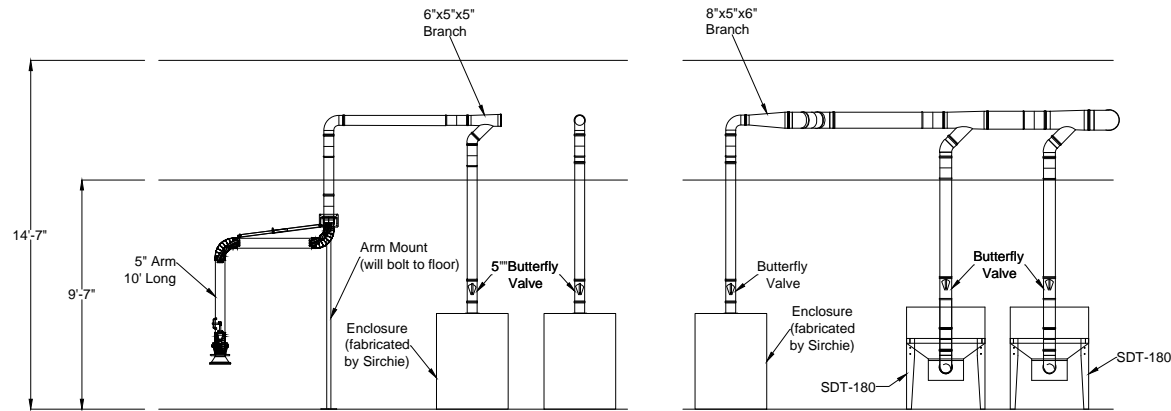
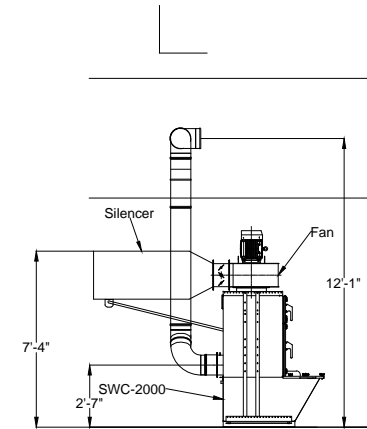


Sirchie - Wet Collector Duct Layout

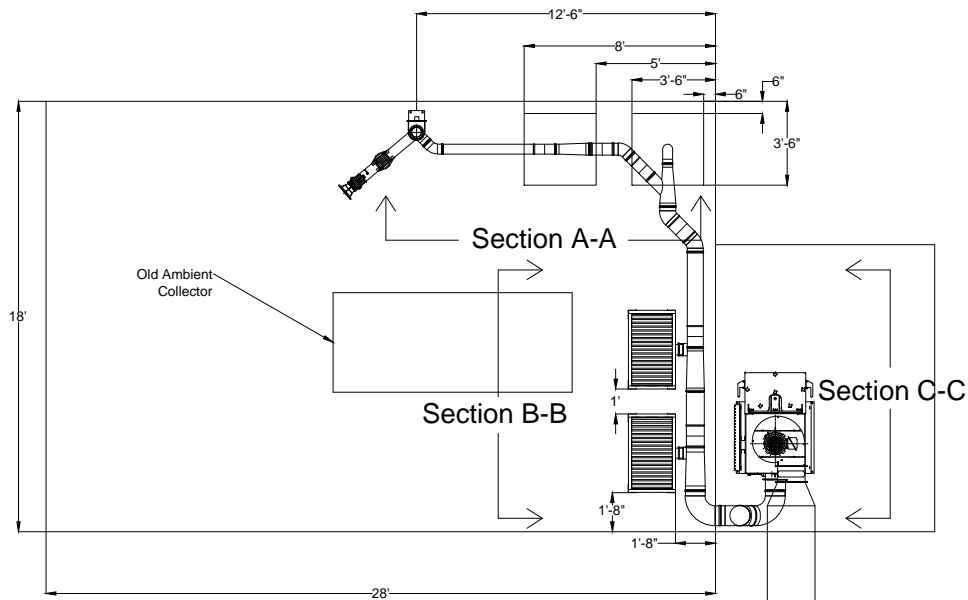


Section A-A

Section B-B



Section C-C



Plan View

Avani Environmental Intl.
95 Cypress Drive
Youngsville, NC 27596
P# 919-570-2862 F# 919-570-2863

Avani

Project: Sirchie - Wet Collector

Drawing: Duct Layout

Date: 9/4/13

Drawn by: MDT

Sheet No: 1 of 1

Rev.: 0