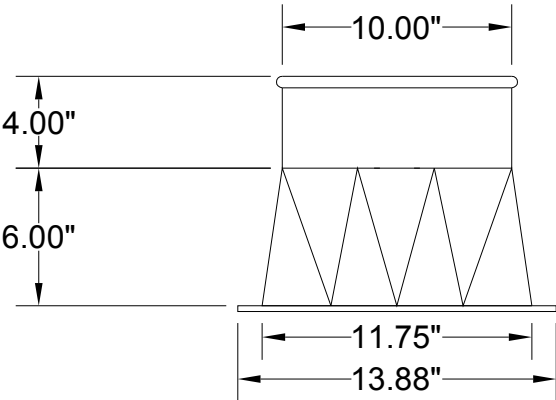
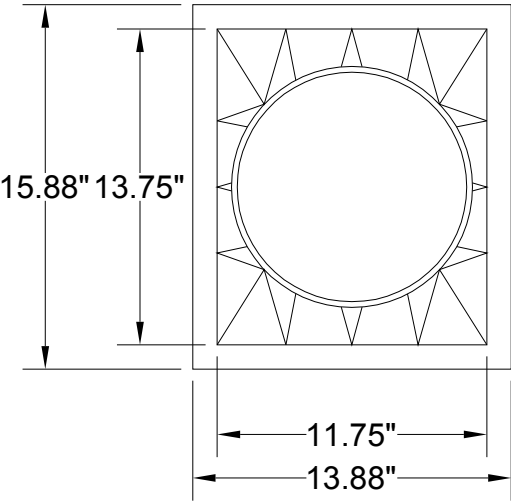


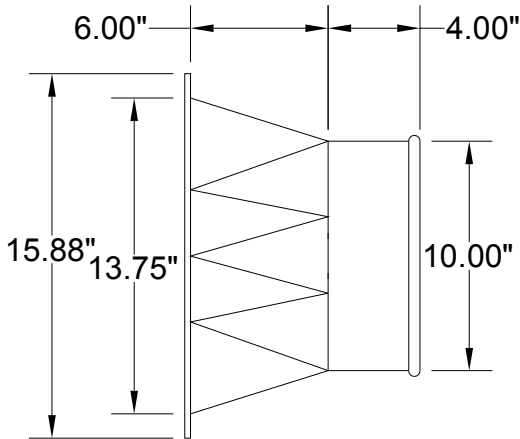
Sirchie Duct to Collectors



Side View



Top View



Side View

Avani Environmental Intl.
 95 Cypress Drive
 Youngsville, NC 27596
 P# 919-570-2862 F# 919-570-2863



Project: Sirchie - Ambient Collector

Drawing: Rectange to Round

Date: 10/1/13

Drawn by: MDT

Sheet No: 1 of 1

Rev: 0