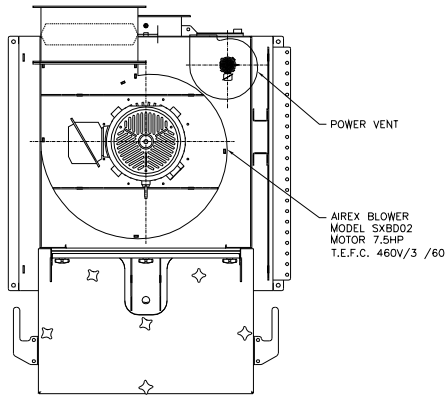
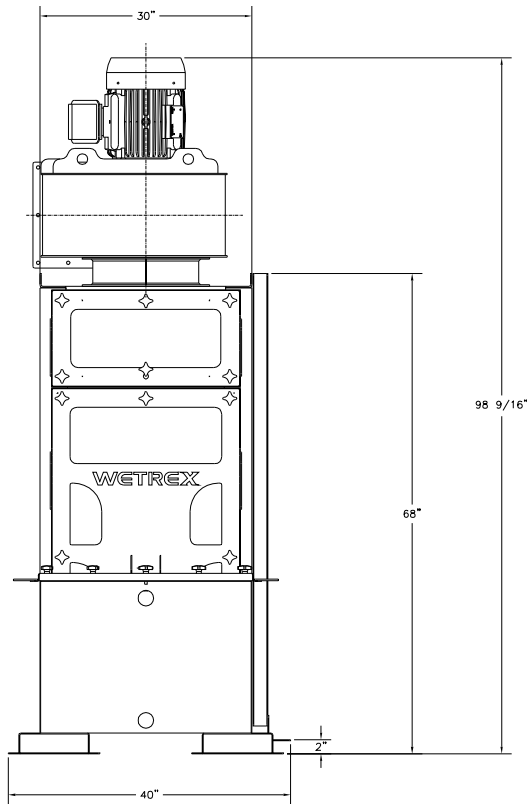


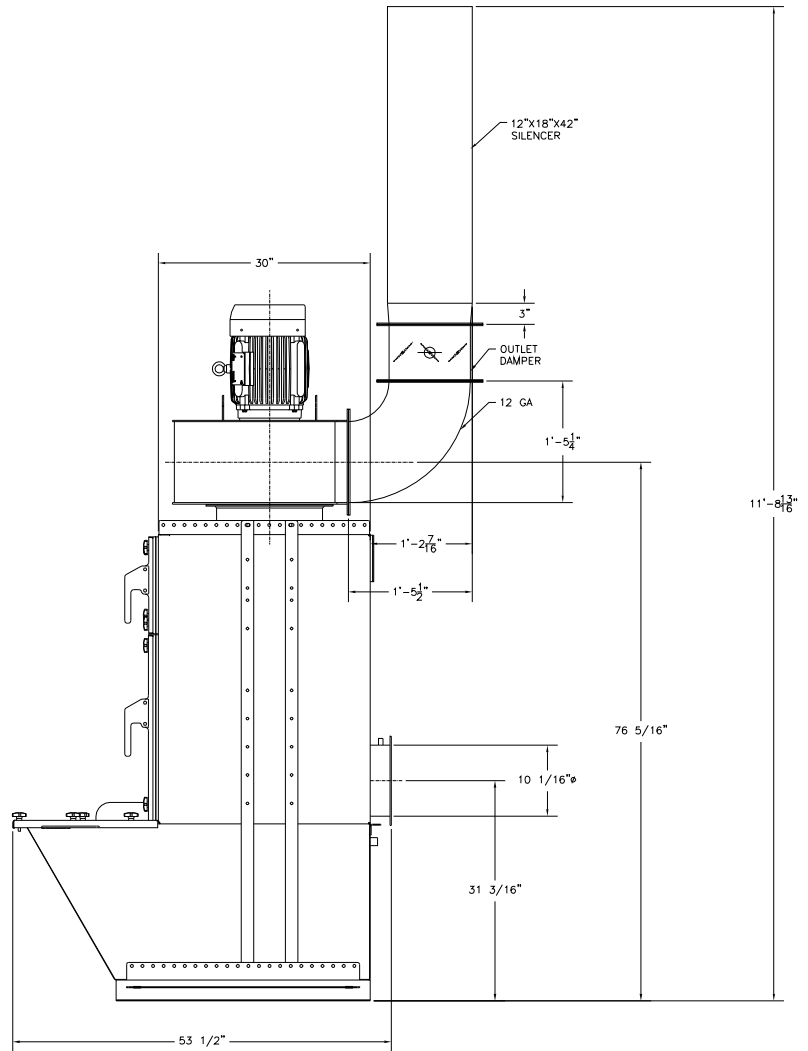
Sirchie — Wet Collector SWC-2000



TOP VIEW



FRONT VIEW



SIDE VIEW

Avani Environmental Intl.
95 Cypress Drive
Youngsville, NC 27596
P# 919-570-2862 F# 919-570-2863

Avani

Project: Sirchie — Wet Collector

Drawing: SWC-2000

Date: 8/21/13 | Drawn by: MDT

Sheet No: 1 of 1 | Rev.: 0