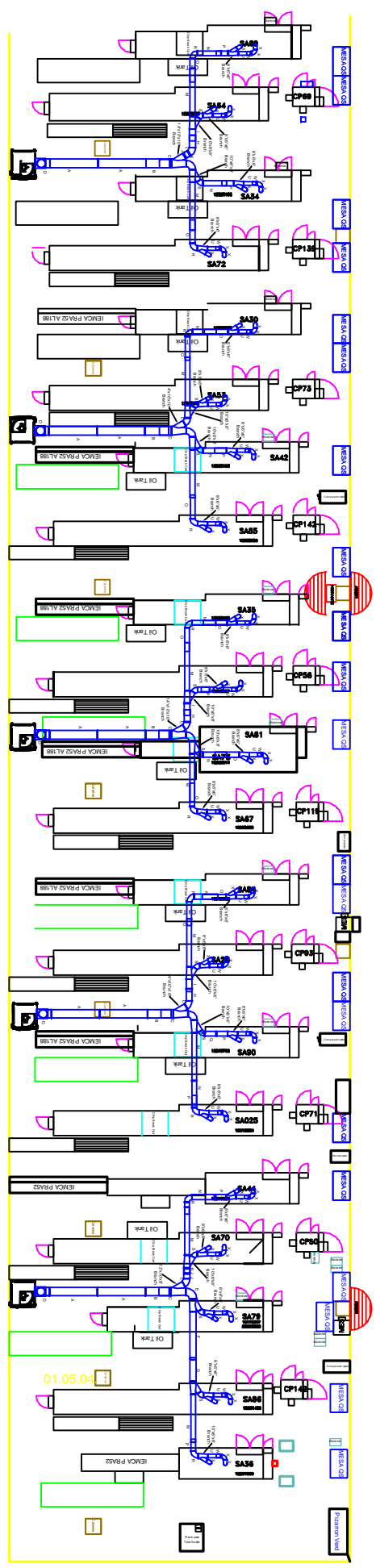
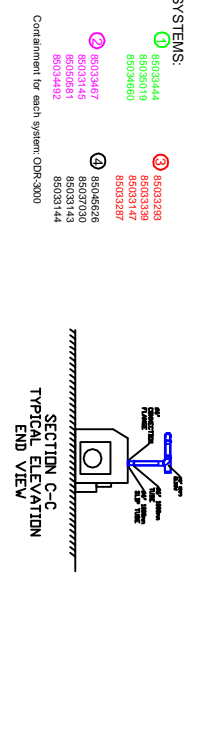
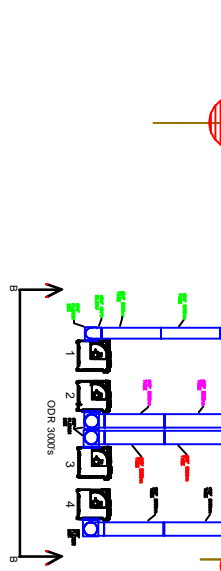
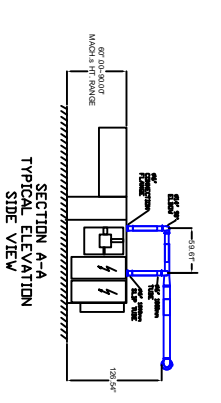
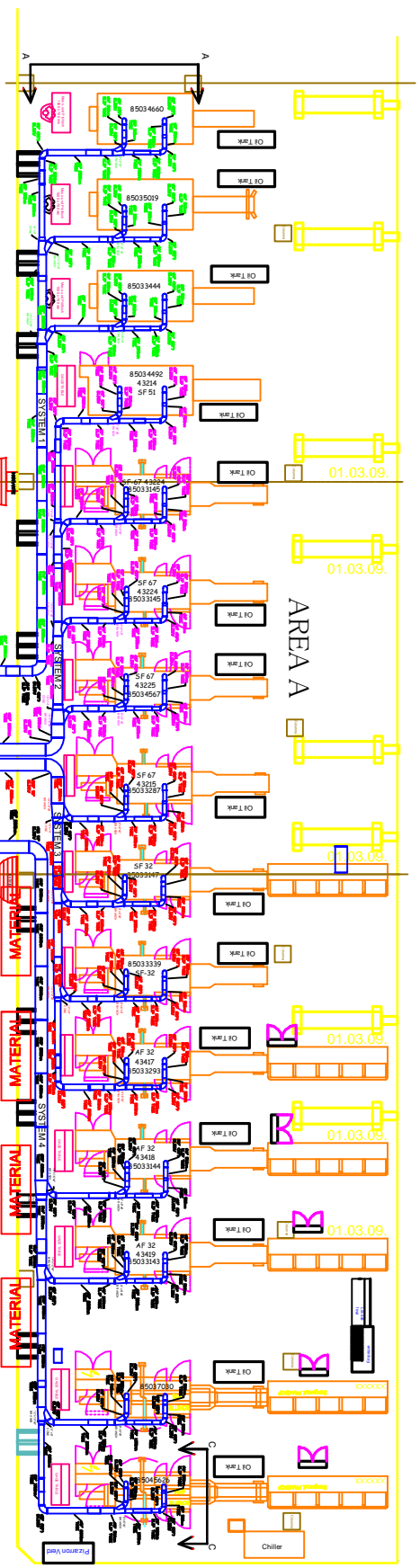


Schaffler Mexico Duct Layout



NOTE:
 1. All ducts shall be 1000mm dia.
 2. All ducts shall be 1000mm dia.
 3. All ducts shall be 1000mm dia.
 4. All ducts shall be 1000mm dia.
 5. All ducts shall be 1000mm dia.
 6. All ducts shall be 1000mm dia.
 7. All ducts shall be 1000mm dia.
 8. All ducts shall be 1000mm dia.
 9. All ducts shall be 1000mm dia.
 10. All ducts shall be 1000mm dia.



- SYSTEMS:**
- ① 85033144 85033233
 - ② 85033145 85033147
 - ③ 85033146 85033148
 - ④ 85033147 85033149
 - ⑤ 85033148 85033150
 - ⑥ 85033149 85033151
 - ⑦ 85033150 85033152
 - ⑧ 85033151 85033153
 - ⑨ 85033152 85033154
 - ⑩ 85033153 85033155
 - ⑪ 85033154 85033156
 - ⑫ 85033155 85033157
 - ⑬ 85033156 85033158
 - ⑭ 85033157 85033159
 - ⑮ 85033158 85033160
 - ⑯ 85033159 85033161
 - ⑰ 85033160 85033162
 - ⑱ 85033161 85033163
 - ⑲ 85033162 85033164
 - ⑳ 85033163 85033165
 - ㉑ 85033164 85033166
 - ㉒ 85033165 85033167
 - ㉓ 85033166 85033168
 - ㉔ 85033167 85033169
 - ㉕ 85033168 85033170
 - ㉖ 85033169 85033171
 - ㉗ 85033170 85033172
 - ㉘ 85033171 85033173
 - ㉙ 85033172 85033174
 - ㉚ 85033173 85033175
 - ㉛ 85033174 85033176
 - ㉜ 85033175 85033177
 - ㉝ 85033176 85033178
 - ㉞ 85033177 85033179
 - ㉟ 85033178 85033180
 - ㊱ 85033179 85033181
 - ㊲ 85033180 85033182
 - ㊳ 85033181 85033183
 - ㊴ 85033182 85033184
 - ㊵ 85033183 85033185
 - ㊶ 85033184 85033186
 - ㊷ 85033185 85033187
 - ㊸ 85033186 85033188
 - ㊹ 85033187 85033189
 - ㊺ 85033188 85033190
 - ㊻ 85033189 85033191
 - ㊼ 85033190 85033192
 - ㊽ 85033191 85033193
 - ㊾ 85033192 85033194
 - ㊿ 85033193 85033195

Avani Environmental Intl. Inc.
 95 Cypress Drive
 Youngsville, NC 27596
 P# 919-570-2862 F# 919-570-2863

Project: SCHAEFLER, MEXICO
Drawing: DUCT LAYOUT
Date: 9-18-12 **Drawn by:** JTL & MD
Sheet No.: 1 OF 2

This document was created with Win2PDF available at <http://www.win2pdf.com>.
The unregistered version of Win2PDF is for evaluation or non-commercial use only.
This page will not be added after purchasing Win2PDF.