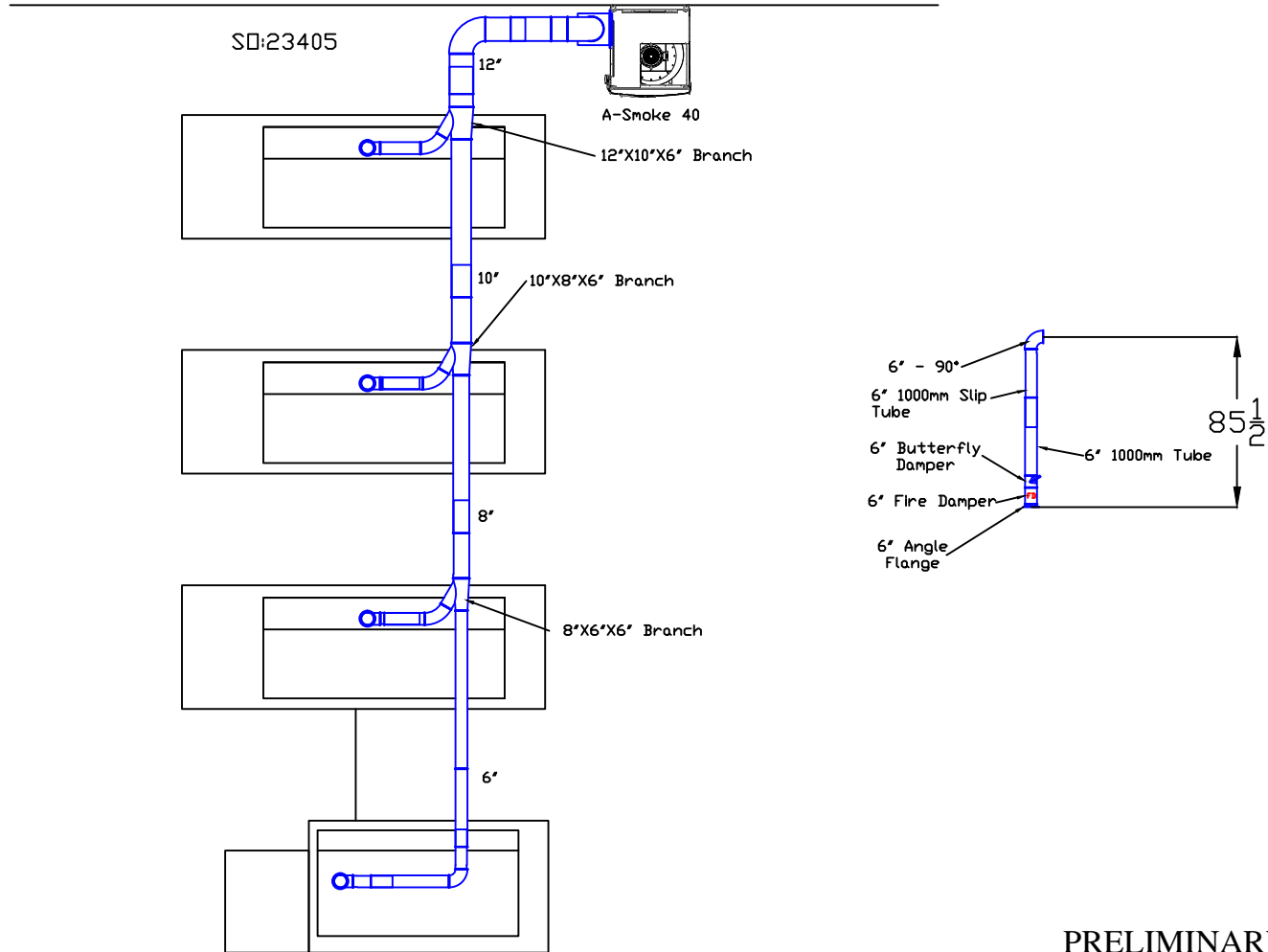


Schaeffler Cheraw A-Smoke 40 SQ-23405



Notes:

- 1) Jacob Clamp together Ducting to be supported from ceiling
- 2) Avani Environmental standard installation crew is quoted out per day based on the above drawings and approvals. Any changes, modifications, downtime, or inability to perform our work above and beyond the control of Avani Environmental will charge an additional \$1,000 per work day (5 or more hours) per crew above what was initially quoted.
- 3) Trunk Line is 15 Feet Off Floor

PRELIMINARY

This product has not been tested for seismic calculations

Any Customer requested, or caused changes or deviations from the approved drawing that effect T&M will require a change order.

Avani Environmental Intl. Inc.
95 Cypress Drive
Youngsville, NC 27596
P# 919-570-2862 F# 919-570-2863

Avani

Project: Schaeffler Cheraw	
Drawing: A-Smoke 40 System	
Date: 11/5/15	Drawn by: WWB
Drwg # 23405	Rev 0