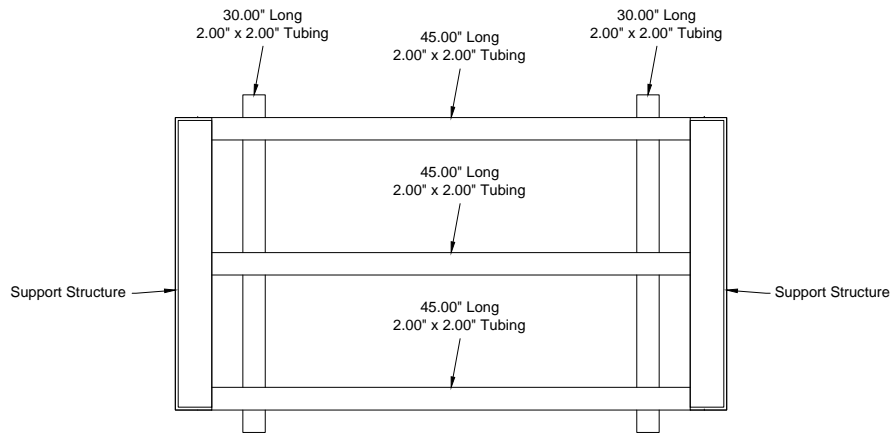
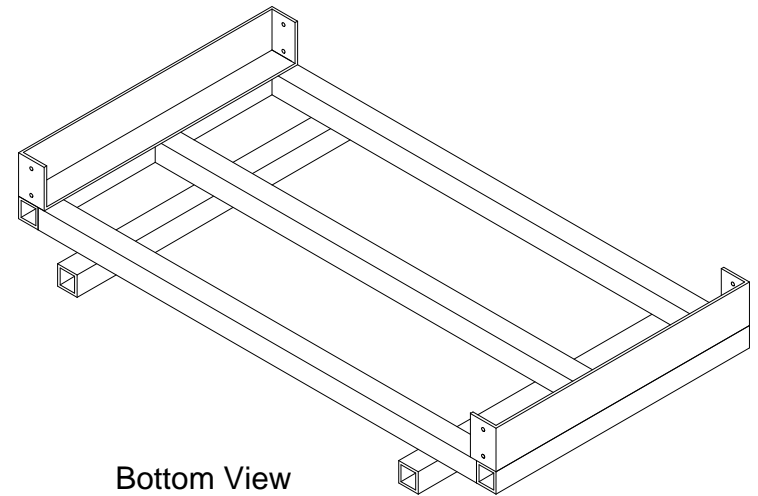


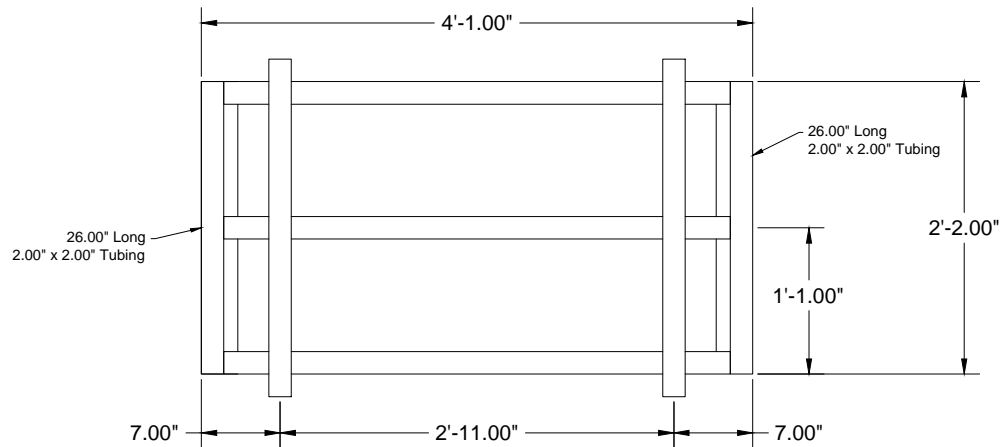
# A-Mist 40TF Support Assembly



Top View



Bottom View



Bottom View

Avani Environmental Intl.  
95 Cypress Drive  
Youngsville, NC 27596  
P# 919-570-2862 F# 919-570-2863

**Avani**

Project: AMist 40TF

Drawing: Support Structure

Date: 12/9/13

Drawn by: MDT

Sheet No: 1 of 1

Rev.: