

DO NOT SCALE

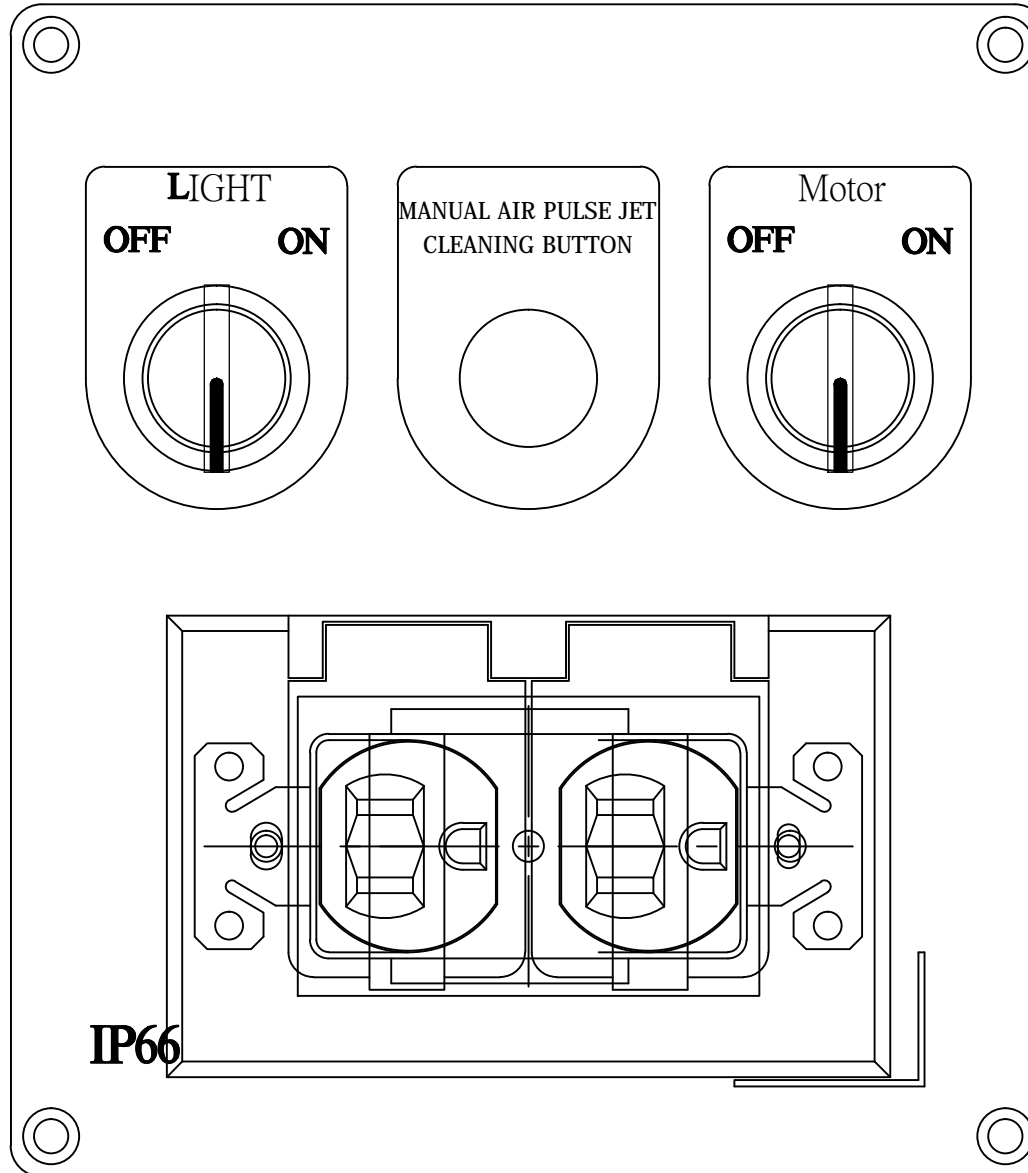
IF IN DOUBT ASK



Revisions

Rev	Description	Date	Approved
-----	-------------	------	----------

NEW Design



AVANI ENVIRONMENTAL INTL. INC. Sales Department
 95 Cypress Drive
 Youngsville, NC 27596

(919) 570-2862
 info@avanienvironmental.com

Date	Name	Part Number:
2015-06-10	***	TYPE "CR"
Checked by:		

The drawings, AutoCAD, 3-D Models, and specifications are the property of Avani Environmental Intl. Inc. (AE) and may not be reproduced, distributed, modified, or otherwise used, except provided herein, without the express written permission of AE.

Title:
 WB-3500D-ADA-R/L ADA CONTROL PANEL

Size	Scale	Drawing Number:
D	1 = 35	WB-3500D