



Date: April 14, 2015

To: San Bernardino Valley College

Project:

Attn:

Recommended Equipment:

- (12) WB-3500A dual welding booth with centered collector
- (11) WB-3500B dual welding booth with centered collector
- (1) WB-3500C dual welding booth with centered collector
- (1) WB-3500CR dual welding booth with centered collector
- (1) WB-3500D single welding booth with centered collector
- (1) WB-3500DR single welding booth with centered collector
- (1) WB-3500E single welding booth with centered collector

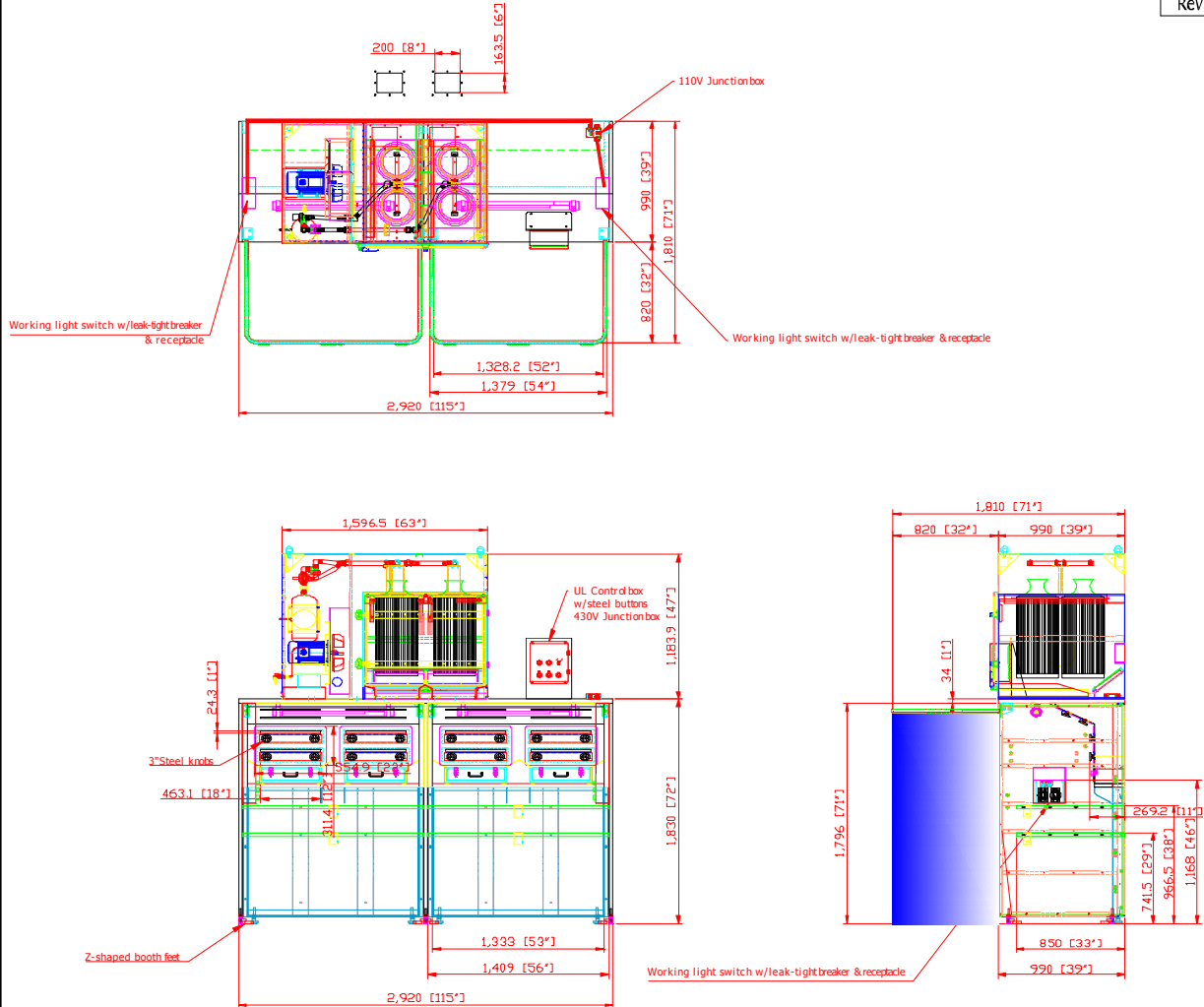
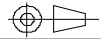
Avani Environmental Intl. Inc.
95 Cypress Drive
Youngsville, NC 27596
www.avanienvironmental.com

Phone: (919) 570-2862
Fax: (919) 570-2863
Email: info@avanienvironmental.com
www.weldingbooths.com

The drawings, AutoCAD, 3-D Models, and specifications are the property of Avani Environmental Intl. Inc. (AE) and may not be reproduced, distributed, modified, or otherwise used, except provided herein, without the express written permission of AE.

DO NOT SCALE

IF IN DOUBT ASK



Revisions			
Rev	Description	Date	Approved
WB-3500A SPECIFICATIONS collector centered			
Motor:	5 HP NEMA		
Airflow:	2340 ft ³ /min 3973.32 m ³ /hr		
Filtration Stages:	1st - aluminum mesh x (2) pcs per station; total (4) pcs Spec: 540 x 440 x 22mm (21.2" x 17.3" x 0.87") 2nd - cartridge filter x (4) pcs Spec: Dia. 380 x 660mL (15" x 26"L) Filtering area: 15M2 x 4 = 60M2 (645.6 FT ²)		
No. of Valves:	2		
Compressed Air Requirement:	90 PSI		
Compressed Air Reservoir:	2.63 gallon		
Dimension:	292.06 x 164.8 x 351.9 cm (115.1 x 64.9 x 139 inch)		
Construction:	top mount dust collector: - 8 gauge steel to 14 gauge steel side panel: - 6 gauge steel to 14 gauge steel back panel: - 11 gauge steel to 14 gauge steel		
Max. Operating Temp.:	120°C		
Paint Color:	Blue		
Control Box:	- UL Control Panel		
Booth Apparatus:	<ul style="list-style-type: none"> - Non-Recessed Light: (1) LED Light (110V, Single Phase, 60 Hz) per station - Adjustable Rear Shelf: (1) per station - (1) Individual UL Certified Control Box (per 1 dust collector): ON/OFF, Timer, Emergency Stop: with transformer to step 460V down to 120V to run lights & 120V outlets, VFD - Hood Dimensions: 39" x 115" x 1" - Back Draft Dimensions: 22" x 12" x 11" (NOT incl. clean out drawer) - Back Draft Adjustable Inlet Slots: (8) 1" x 18" - Hood Adjustable Inlet Slots: (8) 1" x 18" - Adjustable Knobs: (32) 2" ? " Steel knobs - Adjustable Level System: (8) 2" ? " Feet (maximum adjustment 5") - Support Structure: 1 ? " x 4" steel stock welded - Panel Construction: 12-gauge welded steel single wall with cross and up bracing - Welding Curtain Supports: (2) adjustable welding curtain brackets - Powder Coated: Avani Safety Blue Standard (custom colors available) - Seven Piece Configuration: (2) side panels, (2) back panel, (2) backdraft assembly, (1) hood/draft assembly. - Booths can be mounted back-to-back, side-by-side or both options. <p>OPTIONS *** (1) CO2 bracket per station</p>		

PRELIMINARY

AVANI ENVIRONMENTAL INTL. INC. Sales Department
95 Cypress Drive
Youngsville, NC 27596
(919) 570-2862
info@avanienvironmental.com

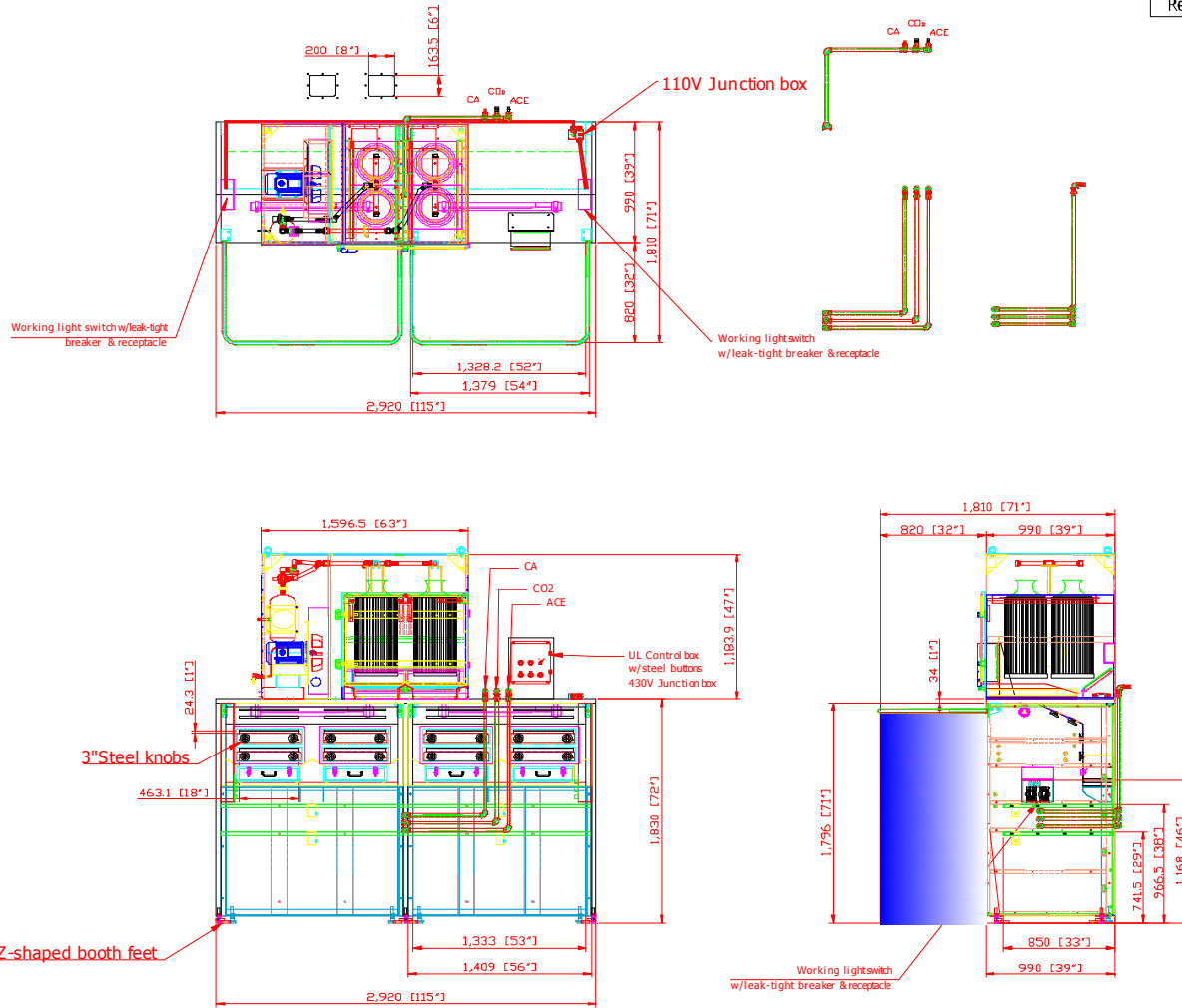
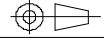
Drawn by:	Date	Name	Part Number:	Title:
Checked by:	2015-04-14	***	REVISION A	TYPE "A" WB-3500A Dual Booth Station

The drawings, AutoCAD, 3-D Models, and specifications are the property of Avani Environmental Intl. Inc. (AE) and may not be reproduced, distributed, modified, or otherwise used, except provided herein, without the express written permission of AE.

Size	Scale	Drawing Number:
A	1 = 35	SBVC WB-3500A Type A Page 1 of 1

DO NOT SCALE

IF IN DOUBT ASK



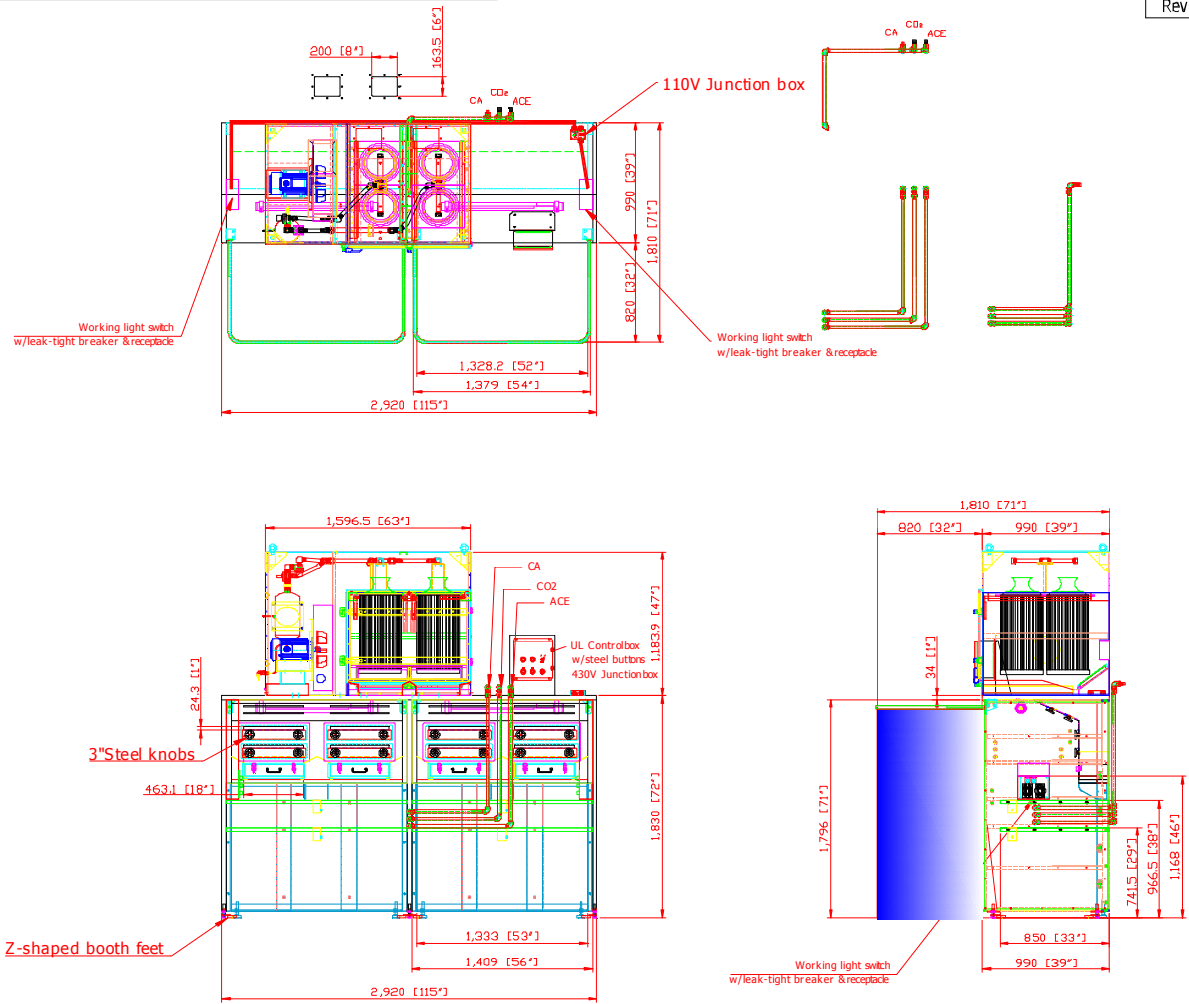
Revisions			
Rev	Description	Date	Approved
WB-3500B SPECIFICATIONS collector centered			
Motor:	5 HP NEMA		
Airflow:	2340 ft3/min 3973.32 m3/hr		
Filtration Stages:	1st - aluminum mesh x (2) pcs per station; total (4) pcs Spec: 540 x 440 x 22mm (21.2" x 17.3" x 0.87") 2nd - cartridge filter x (4) pcs Spec: Dia. 380 x 660mm (15" x 26") Filtering area: 15M2 x 4 = 60M2 (645.6 FT2)		
No. of Valves:	2		
Compressed Air Requirement:	90 PSI		
Compressed Air Reservoir:	2.63 gallon		
Dimension:	292.06 x 164.8 x 351.9 cm (115.1 x 64.9 x 139 inch)		
Construction:	top mount dust collector: - 8 gauge steel to 14 gauge steel side panel: - 6 gauge steel to 14 gauge steel back panel: - 11 gauge steel to 14 gauge steel		
Max. Operating Temp.:	120°C		
Paint Color:	Blue		
Control Box:	- UL Control Panel		
Booth Apparatus:	- Non-Recessed Light: (1) LED Light (110V, Single Phase, 60 Hz) per station - Adjustable Rear Shelf: (1) per station - (1) Individual UL Certified Control Box (per 1 dust collector): ON/OFF, Timer, Emergency Stop: with transformer to step 460V down to 120V to run lights & 120V outlets, VFD - Hood Dimensions: 39" x 115" x 1" - Back Draft Dimensions: 22" x 12" x 11" (NOT incl. clean out drawer) - Back Draft Adjustable Inlet Slots: (8) 1" x 18" - Hood Adjustable Inlet Slots: (8) 1" x 18" - Adjustable Knobs: (32) 2 ? " Steel knobs - Adjustable Level System: (8) 2 ? " Feet (maximum adjustment 5") - Support Structure: 1 ? " x 4" steel stock welded - Panel Construction: 12-gauge welded steel single wall with cross and up bracing - Welding Curtain Supports: (2) adjustable welding curtain brackets - (3) Gas lines: (1) CA; (1) CO ₂ ; (1) ACE - Powder Coated: Avani Safety Blue Standard (custom colors available) - Seven Piece Configuration: (2) side panels, (2) back panel, (2) backdraft assembly, (1) hooddraft assembly. - Booths can be mounted back-to-back, side-by-side or both options.		
	OPTIONS *** (1) CO ₂ bracket per station		

PRELIMINARY

AVANI ENVIRONMENTAL INTL. INC. Sales Department 95 Cypress Drive Youngsville, NC 27596	Date	Name	Part Number:	Title: TYPE "B"	
	2015-04-14	***	REVISION A	WB-3500B Dual Booth Station	
	Checked by:			Size A	Scale 1 = 35
info@avanienvironmental.com	The drawings, AutoCAD, 3-D Models, and specifications are the property of Avani Environmental Intl. Inc. (AE) and may not be reproduced, distributed, modified, or otherwise used, except provided herein, without the express written permission of AE.				

DO NOT SCALE

IF IN DOUBT ASK



Revisions			
Rev	Description	Date	Approved
WB-3500C SPECIFICATIONS collector centered			
Motor:	5 HP NEMA		
Airflow:	2340 ft ³ /min 3973.32 m ³ /hr		
Filtration Stages:	1st - aluminum mesh x (2) pcs per station; total (4) pcs Spec: 540 x 440 x 22mm (21.2\"/>		
No. of Valves:	2		
Compressed Air Requirement:	90 PSI		
Compressed Air Reservoir:	2.63 gallon		
Dimension:	292.06 x 164.8 x 351.9 cm (115.1 x 64.9 x 139 inch)		
Construction:	top mount dust collector: - 8 gauge steel to 14 gauge steel side panel: - 6 gauge steel to 14 gauge steel back panel: - 11 gauge steel to 14 gauge steel		
Max. Operating Temp.:	120°C		
Paint Color:	Blue		
Control Box:	- UL Control Panel		
Booth Apparatus:	- Non-Recessed Light: (1) LED Light (110V, Single Phase, 60 Hz) per station - Adjustable Rear Shelf: (1) per station - (1) Individual UL Certified Control Box (per 1 dust collector): ON/OFF, Timer, Emergency Stop: with transformer to step 460V down to 120V to run lights & 120V outlets, VFD - Hood Dimensions: 39\"/>		
	OPTIONS *** (1) CO2 bracket per station		

PRELIMINARY

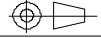
AVANI ENVIRONMENTAL INTL. INC. Sales Department
 95 Cypress Drive
 Youngsville, NC 27596
 (919) 570-2862
 info@avanienvironmental.com

Drawn by:	Date	Name	Part Number:
Checked by:	2015-04-14	***	REVISION A
The drawings, AutoCAD, 3-D Models, and specifications are the property of Avani Environmental Intl. Inc. (AE) and may not be reproduced, distributed, modified, or otherwise used, except provided herein, without the express written permission of AE.			

Title: TYPE "C"
WB-3500C Dual Booth Station
 Size: A
 Scale: 1 = 35
 Drawing Number: SBVC WB-3500C Type C
 Page 1 of 1

DO NOT SCALE

IF IN DOUBT ASK

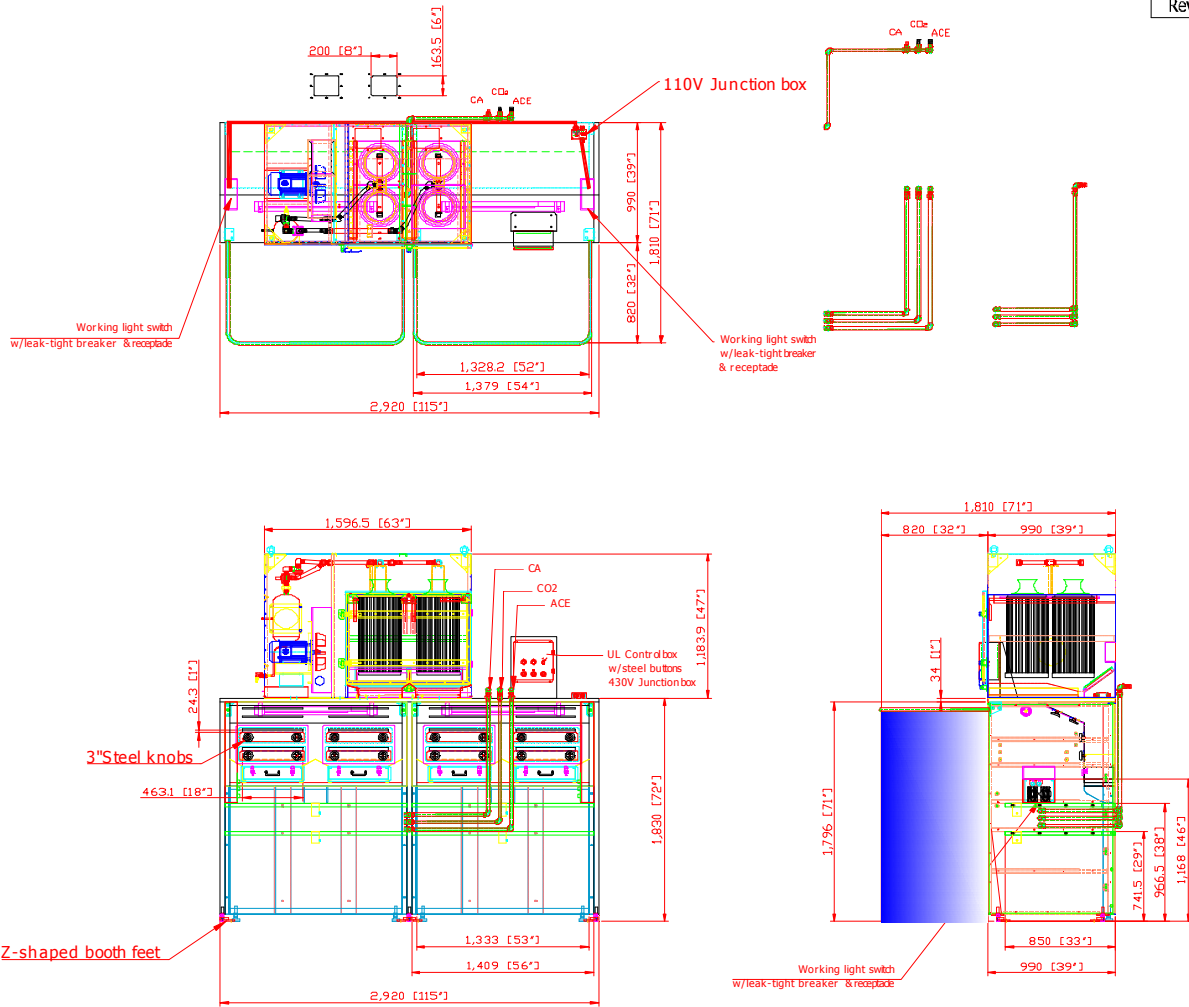


Revisions

Rev	Description	Date	Approved
-----	-------------	------	----------

WB-3500CR SPECIFICATIONS
collector centered

Motor:	5 HP NEMA
Airflow:	2340 ft ³ /min 3973.32 m ³ /hr
Filtration Stages:	1st - aluminum mesh x (2) pcs per station; total (4) pcs Spec: 540 x 440 x 22mm (21.2" x 17.3" x 0.87") 2nd - cartridge filter x (4) pcs Spec: Dia. 380 x 660mL (15" x 26") Filtering area: 15M2 x 4 = 60M2 (645.6 FT2)
No. of Valves:	2
Compressed Air Requirement:	90 PSI
Compressed Air Reservoir:	2.63 gallon
Dimension:	292.06 x 164.8 x 351.9 cm (115.1 x 64.9 x 139 inch)
Construction:	top mount dust collector: - 8 gauge steel to 14 gauge steel side panel: - 6 gauge steel to 14 gauge steel back panel: - 11 gauge steel to 14 gauge steel
Max. Operating Temp.:	120°C
Paint Color:	Blue
Control Box:	- UL Control Panel
Booth Apparatus:	- Non-Recessed Light: (1) LED Light (110V, Single Phase, 60 Hz) per station - Adjustable Rear Shelf: (1) per station - (1) Individual UL Certified Control Box (per 1 dust collector): ON/OFF, Timer, Emergency Stop: with transformer to step 460V down to 120V to run lights & 120V outlets, VFD - Hood Dimensions: 39" x 115" x 1" - Back Draft Dimensions: 22" x 12" x 11" (NOT incl. clean out drawer) - Back Draft Adjustable Inlet Slots: (8) 1" x 18" - Hood Adjustable Inlet Slots: (8) 1" x 18" - Adjustable Knobs: (32) 2 ? " Steel knobs - Adjustable Level System: (8) 2 ? " Feet (maximum adjustment 5") - Support Structure: 1 ? " x 4" steel stock welded - Panel Construction: 12-gauge welded steel single wall with cross and up bracing - Welding Curtain Supports: (2) adjustable welding curtain brackets - (3) Gas lines: (1) CA; (1) CO2; (1) ACE - Powder Coated: Avani Safety Blue Standard (custom colors available) - Seven Piece Configuration: (2) side panels, (2) back panel, (2) backdraft assembly, (1) hooddraft assembly, - Booths can be mounted back-to-back, side-by-side or both options.
OPTIONS	*** (1) CO2 bracket per station



PRELIMINARY

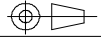
AVANI ENVIRONMENTAL INTL. INC. Sales Department
95 Cypress Drive
Youngsville, NC 27596
(919) 570-2862
info@avanienvironmental.com

Drawn by:	Date	Name	Part Number:
Checked by:	2015-04-14	***	REVISION A
The drawings, AutoCAD, 3-D Models, and specifications are the property of Avani Environmental Intl. Inc. (AE) and may not be reproduced, distributed, modified, or otherwise used, except provided herein, without the express written permission of AE.			

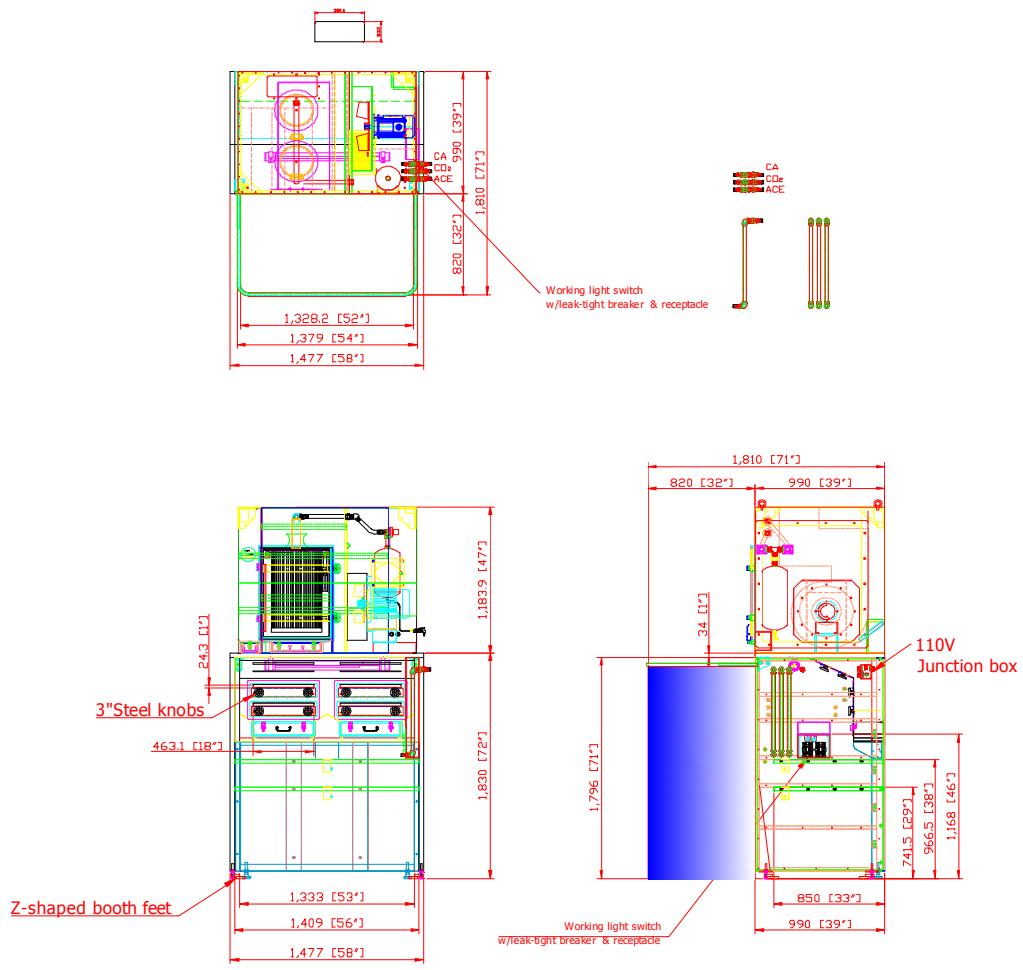
Title:	TYPE "CR"	
Title:	WB-3500CR Dual Booth Station	
Size	Scale	Drawing Number:
A	1 = 35	SBVC WB-3500CR Type CR Page 1 of 1

DO NOT SCALE

IF IN DOUBT ASK



Revisions			
Rev	Description	Date	Approved
WB-3500 SPECIFICATIONS			
Motor:	3 HP NEMA		
Airflow:	2340 ft ³ /min 3973.32 m ³ /hr		
Filtration Stages:	1st - aluminum mesh x (2) pcs per station; total (4) pcs Spec: 540 x 440 x 22mm (21.2" x 17.3" x 0.87") 2nd - cartridge filter x (2) pcs Spec: Dia. 380 x 660mmL (15" x 26"L) Filtering area: 15M2 x 4 = 60M2 (645.6 FT2)		
No. of Valves:	2		
Compressed Air Requirement:	90 PSI		
Compressed Air Reservoir:	2.63 gallon		
Dimension:	292.06 x 164.8 x 351.9 cm (115.1 x 64.9 x 139 inch)		
Construction:	top mount dust collector: - 8 gauge steel to 14 gauge steel side panel: - 6 gauge steel to 14 gauge steel back panel: - 11 gauge steel to 14 gauge steel		
Max. Operating Temp.:	120°C		
Paint Color:	Blue		
Control Box:	- UL Control Panel		
Booth Apparatus:	- Non-Recessed Light: (1) LED Light (110V, Single Phase, 60 Hz) - Adjustable Rear Shelf: (1) - (1) Individual UL Certified Control Box: ON/OFF, Timer, Emergency Stop: with transformer to step 460V down to 120V to run lights & 120V outlets, VFD - Hood Dimensions: 39" x 58" x 1" - Back Draft Dimensions: 22" x 12" x 11" (NOT incl. clean out drawer) - Back Draft Adjustable Inlet Slots: (4) 1" x 18" - Hood Adjustable Inlet Slots: (4) 1" x 18" - Adjustable Knobs: (16) 2 ? " Steel knobs - Adjustable Level System: (4) 2 ? " Feet (maximum adjustment 5") - Support Structure: 1 ? " x 4" steel stock welded - Panel Construction: 12-gauge welded steel single wall with cross and up bracing - Welding Curtain Supports: (2) adjustable welding curtain brackets - (3) Gas lines: (1) CA; (1) CO ₂ ; (1) ACE - Powder Coated: Avani Safety Blue Standard (custom colors available) - Five Piece Configuration: (2) side panels, (1) back panel, (1) backdraft assembly, (1) hooddraft assembly. - Booths can be mounted back-to-back, side-by-side or both options. OPTIONS *** (1) CO ₂ bracket per station		

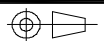


PRELIMINARY

AVANI ENVIRONMENTAL INTL. INC. Sales Department 95 Cypress Drive Youngsville, NC 27596 (919) 570-2862 info@avanienvironmental.com	Date 2015-04-14	Name ***	Part Number: REVISION A	Title: TYPE "D" WB-3500 Dual Booth Station	
	Drawn by:	Checked by:	The drawings, AutoCAD, 3-D Models, and specifications are the property of Avani Environmental Intl. Inc. (AE) and may not be reproduced, distributed, modified, or otherwise used, except provided herein, without the express written permission of AE.	Size A	Scale 1 = 35
				Drawing Number: SBVC WB-3500D Type D Page 1 of 1	

DO NOT SCALE

IF IN DOUBT ASK

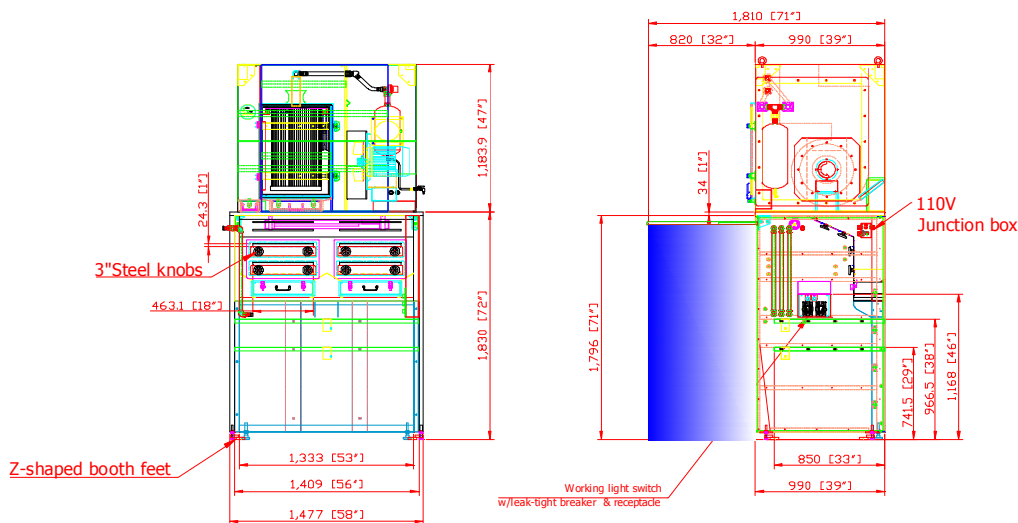
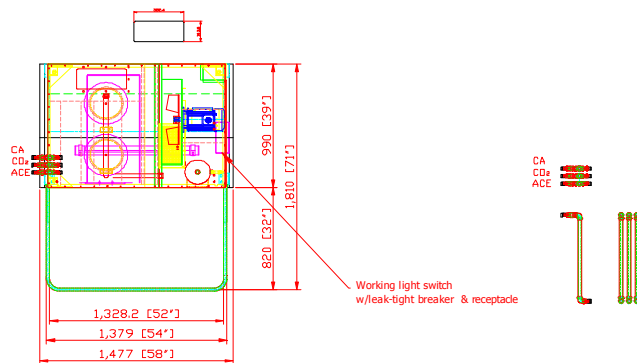


Revisions

Rev	Description	Date	Approved
-----	-------------	------	----------

WB-3500DR SPECIFICATIONS

Motor:	3 HP NEMA
Airflow:	2340 ft3/min 3973.32 m3/hr
Filtration Stages:	1st - aluminum mesh x (2) pcs per station; total (4) pcs Spec: 540 x 440 x 22mm (21.2" x 17.3" x 0.87") 2nd - cartridge filter x (2) pcs Spec: Dia. 380 x 660mmL (15" x 26"L) Filtering area: 15M2 x 4 = 60M2 (645.6 FT2)
No. of Valves:	2
Compressed Air Requirement:	90 PSI
Compressed Air Reservoir:	2.63 gallon
Dimension:	292.06 x 164.8 x 351.9 cm (115.1 x 64.9 x 139 inch)
Construction:	top mount dust collector: - 8 gauge steel to 14 gauge steel side panel: - 6 gauge steel to 14 gauge steel back panel: - 11 gauge steel to 14 gauge steel
Max. Operating Temp.:	120°C
Paint Color:	Blue
Control Box:	- UL Control Panel
Booth Apparatus:	- Non-Recessed Light: (1) LED Light (110V, Single Phase, 60 Hz) - Adjustable Rear Shelf: (1) - (1) Individual UL Certified Control Box: ON/OFF, Timer, Emergency Stop: with transformer to step 460V down to 120V to run lights & 120V outlets - Hood Dimensions: 39" x 58" x 1" - Back Draft Dimensions: 22" x 12" x 11" (NOT incl. clean out drawer) - Back Draft Adjustable Inlet Slots: (4) 1" x 18" - Hood Adjustable Inlet Slots: (4) 1" x 18" - Adjustable Knobs: (16) 2 ? " Steel knobs - Adjustable Level System: (4) 2 ? " Feet (maximum adjustment 5") - Support Structure: 1 ? " x 4" steel stock welded - Panel Construction: 12-gauge welded steel single wall with cross and up bracing - Welding Curtain Supports: (2) adjustable welding curtain brackets - (3) Gas lines: (1) CA; (1) CO2; (1) ACE - Powder Coated: Avani Safety Blue Standard (custom colors available) - Five Piece Configuration: (2) side panels, (1) back panel, (1) backdraft assembly, (1) hooddraft assembly. - Booths can be mounted back-to-back, side-by-side or both options. OPTIONS *** (1) CO2 bracket per station



PRELIMINARY

AVANI ENVIRONMENTAL INTL. INC. Sales Department
95 Cypress Drive
Youngsville, NC 27596

(919) 570-2862
info@avanienvironmental.com

Date	Name	Part Number:
2015-04-14	***	REVISION A
Checked by:		

The drawings, AutoCAD, 3-D Models, and specifications are the property of Avani Environmental Intl. Inc. (AE) and may not be reproduced, distributed, modified, or otherwise used, except provided herein, without the express written permission of AE.

Title: TYPE "DR"
WB-3500DR Dual Booth Station

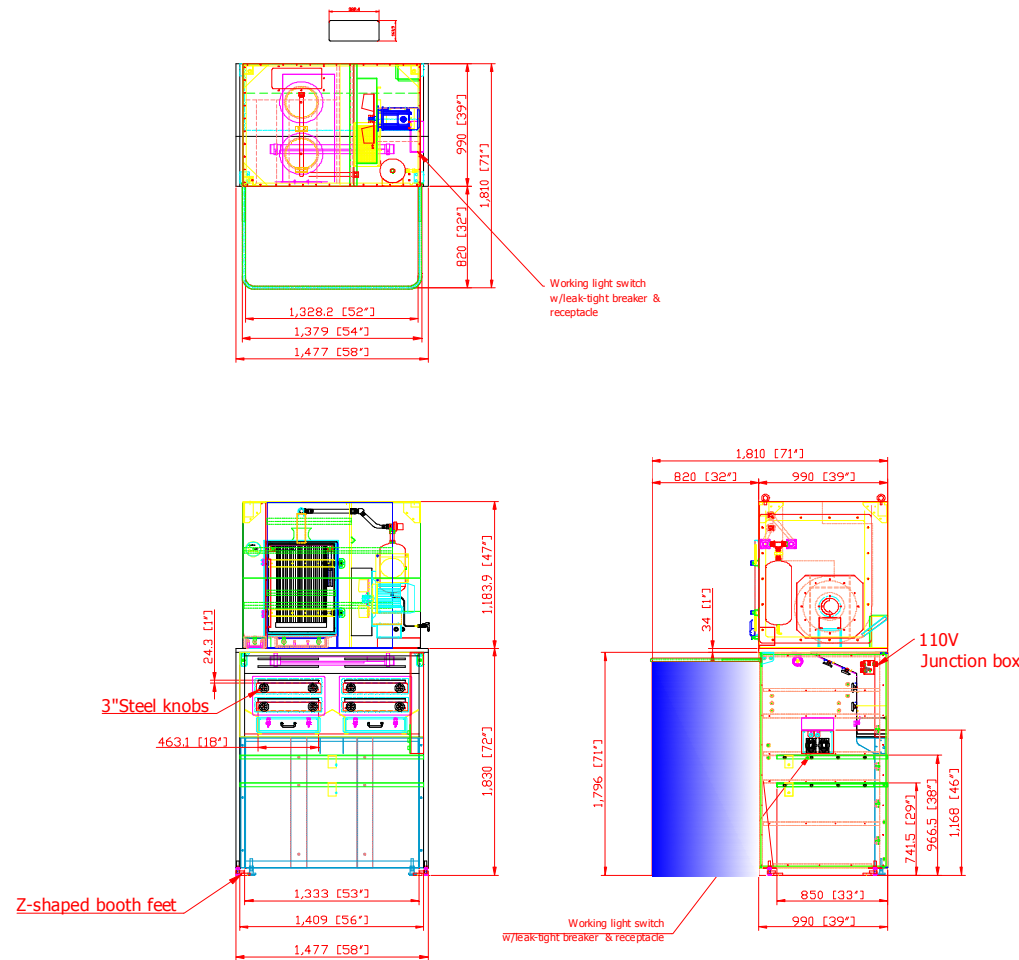
Size A	Scale 1 = 35	Drawing Number: SBVC WB-3500DR Type DR Page 1 of 1
------------------	-----------------	--

DO NOT SCALE

IF IN DOUBT ASK



Revisions			
Rev	Description	Date	Approved
WB-3500E SPECIFICATIONS			
Motor:	3 HP NEMA		
Airflow:	2340 ft ³ /min 3973.32 m ³ /hr		
Filtration Stages:	1st - aluminum mesh x (2) pcs per station; total (4) pcs Spec: 540 x 440 x 22mm (21.2" x 17.3" x 0.87") 2nd - cartridge filter x (2) pcs Spec: Dia. 380 x 660mmL (15" x 26"L) Filtering area: 15M2 x 4 = 60M2 (645.6 FT2)		
No. of Valves:	2		
Compressed Air Requirement:	90 PSI		
Compressed Air Reservoir:	2.63 gallon		
Dimension:	292.06 x 164.8 x 351.9 cm (115.1 x 64.9 x 139 inch)		
Construction:	top mount dust collector: - 8 gauge steel to 14 gauge steel side panel: - 6 gauge steel to 14 gauge steel back panel: - 11 gauge steel to 14 gauge steel		
Max. Operating Temp.:	120°C		
Paint Color:	Blue		
Control Box:	- UL Control Panel		
Booth Apparatus:	- Non-Recessed Light: (1) LED Light (110V, Single Phase, 60 Hz) - Adjustable Rear Shelf: (1) - (1) Individual UL Certified Control Box: ON/OFF, Timer, Emergency Stop: with transformer to step 460V down to 120V to run lights & 120V outlets - Hood Dimensions: 39" x 58" x 1" - Back Draft Dimensions: 22" x 12" x 11" (NOT incl. clean out drawer) - Back Draft Adjustable Inlet Slots: (4) 1" x 18" - Hood Adjustable Inlet Slots: (4) 1" x 18" - Adjustable Knobs: (16) 2 ? " Steel knobs - Adjustable Level System: (4) 2 ? " Feet (maximum adjustment 5") - Support Structure: 1 ? " x 4" steel stock welded - Panel Construction: 12-gauge welded steel single wall with cross and up bracing - Welding Curtain Supports: (2) adjustable welding curtain brackets - Powder Coated: Avani Safety Blue Standard (custom colors available) - Five Piece Configuration: (2) side panels, (1) back panel, (1) backdraft assembly, (1) hooddraft assembly. - Booths can be mounted back-to-back, side-by-side or both options.		
	OPTIONS *** (1) CO2 bracket per station		



PRELIMINARY

AVANI ENVIRONMENTAL INTL. INC. Sales Department
95 Cypress Drive
Youngsville, NC 27596
(919) 570-2862
info@avanienvironmental.com

Drawn by:	Date	Name	Part Number:
Checked by:	2015-04-14	***	REVISION A
The drawings, AutoCAD, 3-D Models, and specifications are the property of Avani Environmental Intl. Inc. (AE) and may not be reproduced, distributed, modified, or otherwise used, except provided herein, without the express written permission of AE.			

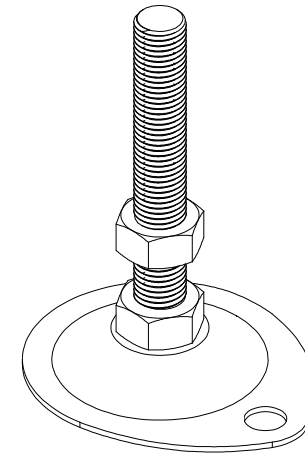
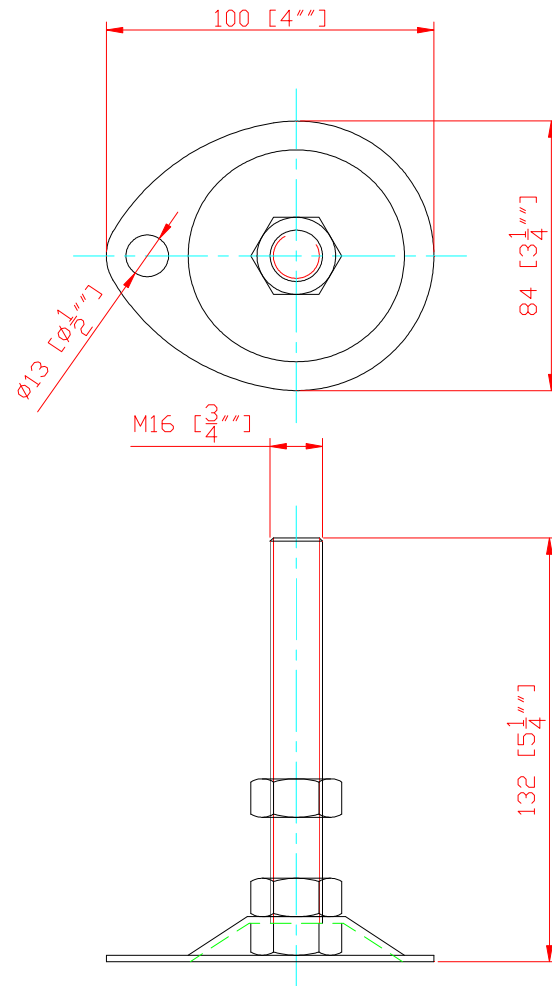
Title:	TYPE "E"	
	WB-3500E Dual Booth Station	
Size	Scale	Drawing Number:
A	1 = 35	SBVC WB-3500E Type E Page 1 of 1

DO NOT SCALE

IF IN DOUBT ASK



Revisions			
Rev	Description	Date	Approved



AVANI ENVIRONMENTAL INTL. INC. Sales Department
 95 Cypress Drive (919) 570-2862
 Youngsville, NC 27596 info@avanienvironmental.com

	Date	Name
Drawn by:	2015-04-14	***
Checked by:		

Part Number:
REVISION A

Title:
TEARDROP BOOTH FEET

The drawings, AutoCAD, 3-D Models, and specifications are the property of Avani Environmental Intl. Inc. (AE) and may not be reproduced, distributed, modified, or otherwise used, except provided herein, without the express written permission of AE.

Size
A

Scale
 1 = 2

Drawing Number:
 SBVC WB-3500

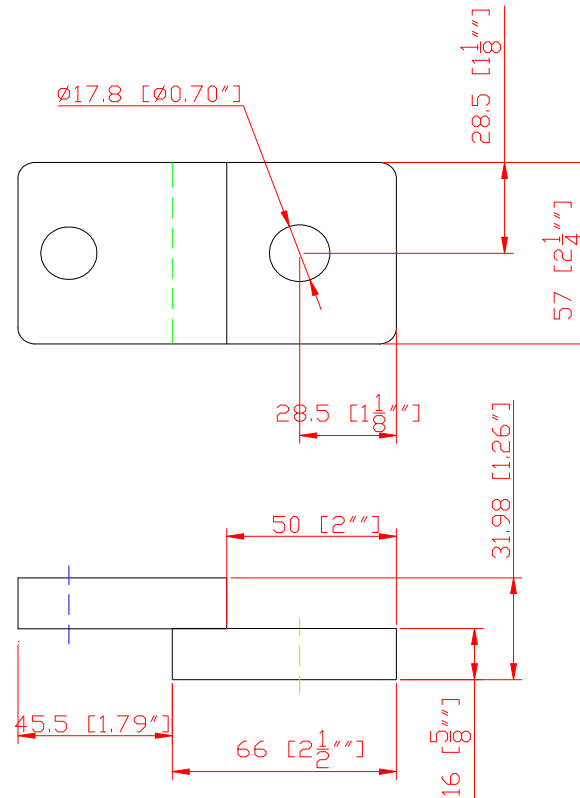
DO NOT SCALE

IF IN DOUBT ASK



Revisions

Rev	Description	Date	Approved



AVANI ENVIRONMENTAL INTL. INC. Sales Department
 95 Cypress Drive (919) 570-2862
 Youngsville, NC 27596 info@avanienvironmental.com

Date	Name	Part Number:
2015-04-14	***	REVISION A

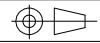
Title: Z-SHAPED BOOTH FEET

The drawings, AutoCAD, 3-D Models, and specifications are the property of Avani Environmental Intl. Inc. (AE) and may not be reproduced, distributed, modified, or otherwise used, except provided herein, without the express written permission of AE.

Size A	Scale 1 = 2	Drawing Number: SBVC WB-3500
------------------	----------------	---------------------------------

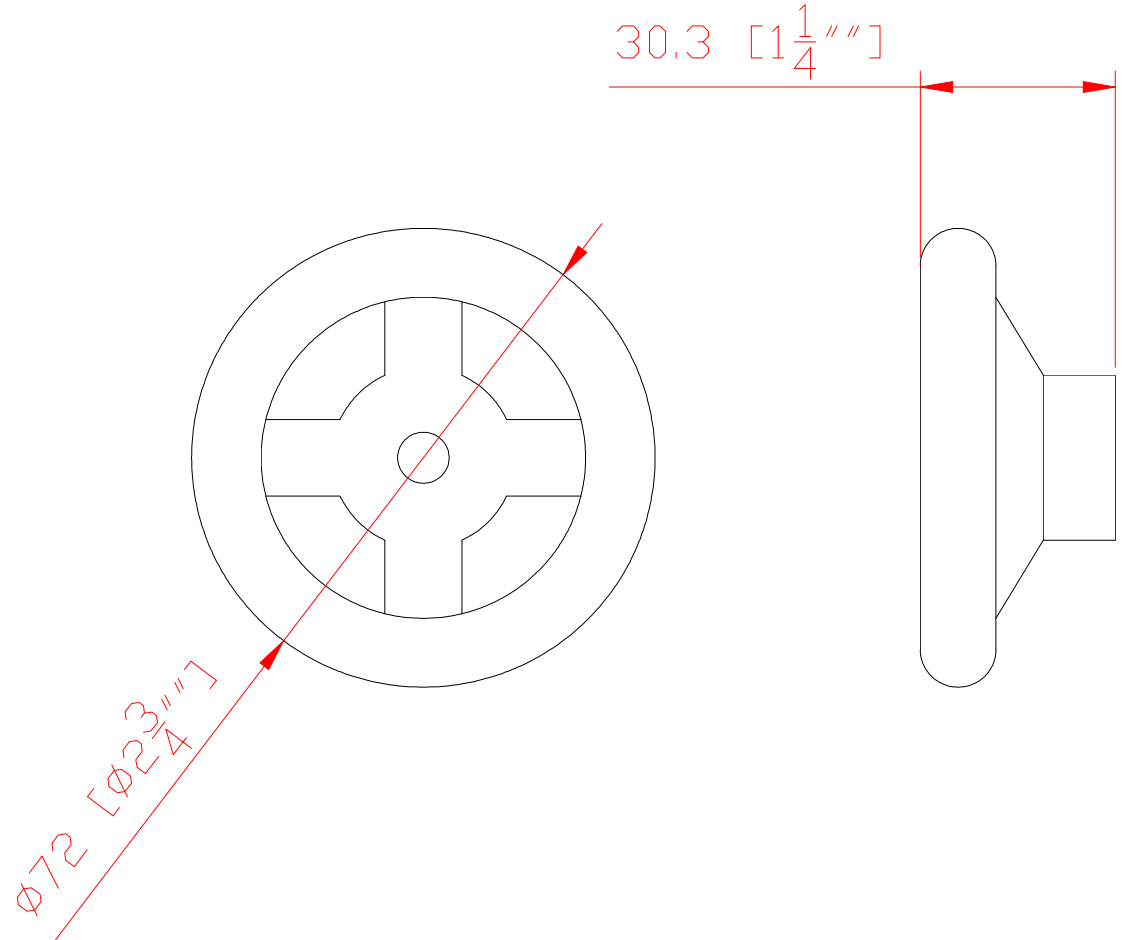
DO NOT SCALE

IF IN DOUBT ASK



Revisions

Rev	Description	Date	Approved
-----	-------------	------	----------



PRELIMINARY

AVANI ENVIRONMENTAL INTL. INC. Sales Department
 95 Cypress Drive (919) 570-2862
 Youngsville, NC 27596 info@avanienvironmental.com

Drawn by:	Date	Name	Part Number:	Title:
Checked by:	2015-04-14	***	REVISION A	STEEL KNOB

The drawings, AutoCAD, 3-D Models, and specifications are the property of Avani Environmental Intl. Inc. (AE) and may not be reproduced, distributed, modified, or otherwise used, except provided herein, without the express written permission of AE.

Size	Scale	Drawing Number:
A	1 = 2	SBVC WB-3500