

DO NOT SCALE

IF IN DOUBT ASK



Revisions		
Rev	Description	Date

SDT-3-IL DOWNDRAFT TABLE SPECIFICATIONS

- Motor: 3HP
- ***NEMA Motor
- *** Aluminum Impeller

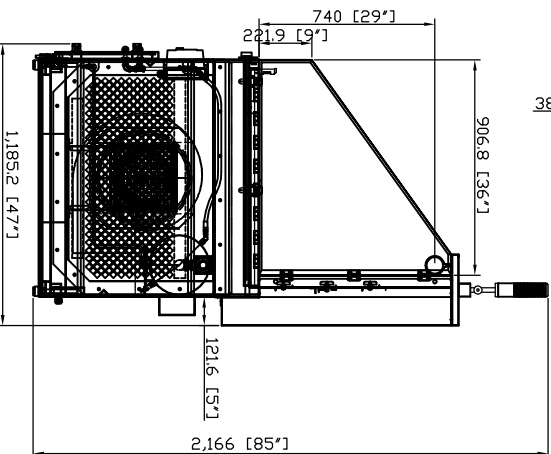
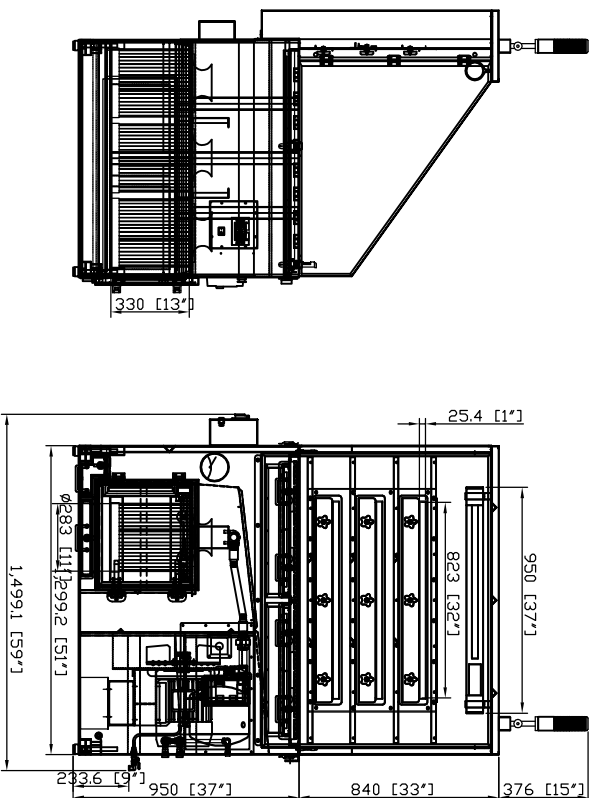
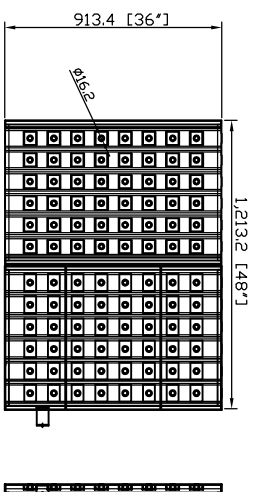
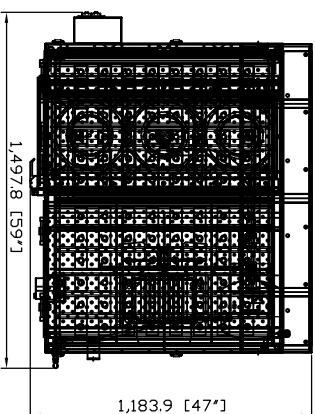
- Electric Spec: 230/460V / 60Hz / 3Ph (wired at 460V)
 can be prewired in **ONE** voltage:

- either:
- 230V / 60Hz / 3Ph / 8.6A (wired at 230V)
 - OR
 - 460V / 60Hz / 3Ph / 4.3A (wired at 460V)

- Airflow: 1500 CFM (2547 m3/hr)

Filtration Stages:

- aluminum mesh x 2 pcs
 - spec: 285 x 423 x 22mm (11.3" x 16.7" x 0.87")
- Cartridge Filter: DIA. 283 x 330mmL x 3 pcs
 - spec: dia. 283 x 330mmL (dia. 11.2" x 13"L)
 - filtering area: 5m2 x 3 = 15m2 (161.4 ft2)
 - Material: Polyester with TEFLON treatment & coating.



**gauge hole pre-drilled.

Optional HEPA filter available.



AVANI ENVIRONMENTAL INTL. INC. Sales Department
 95 Cypress Drive (919) 570-2862
 Youngsville, NC 27596 info@avanienvironmental.com

Date	Name	Part Number:	Title:
2015-03-03	***	80% backdraft 20% downdraft	SDT-3-IL downdraft table (with Interlock control system)
Drawn by:	Checked by:	Size	Scale
		B	1 = 30

The drawings, AutoCAD, 3-D Models, and specifications are the property of Avani Environmental Intl. Inc. (AE) and may not be reproduced, distributed, modified, or otherwise used, except provided herein, without the express written permission of AE.

Drawing Number:	Revision:
A02-2-SDT-3-IL	REVISION A