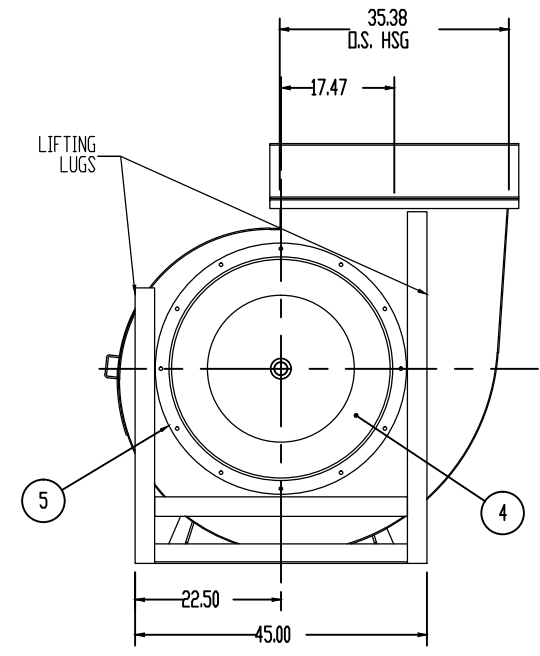
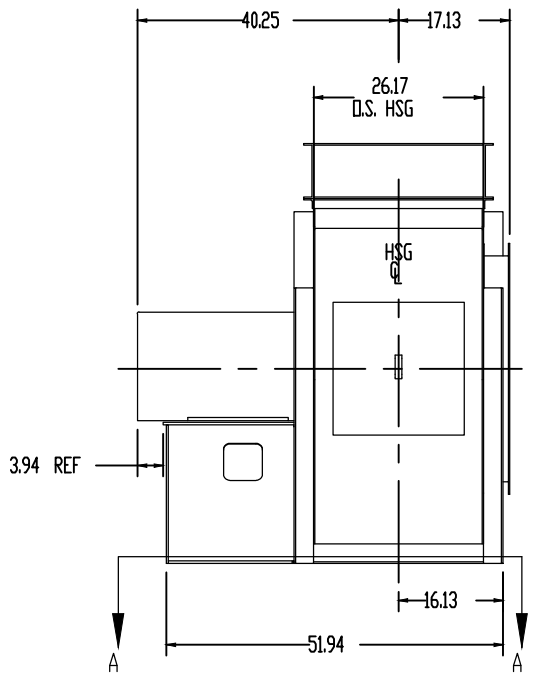
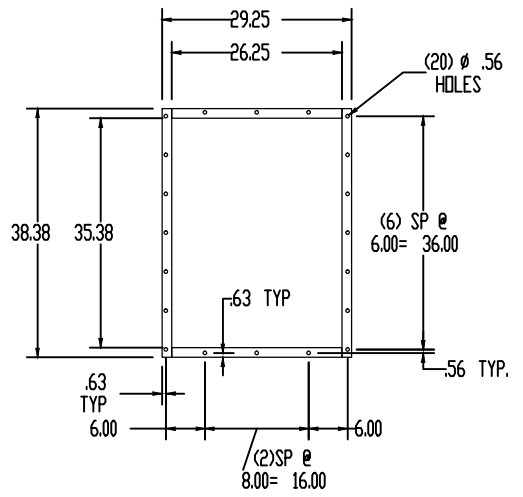
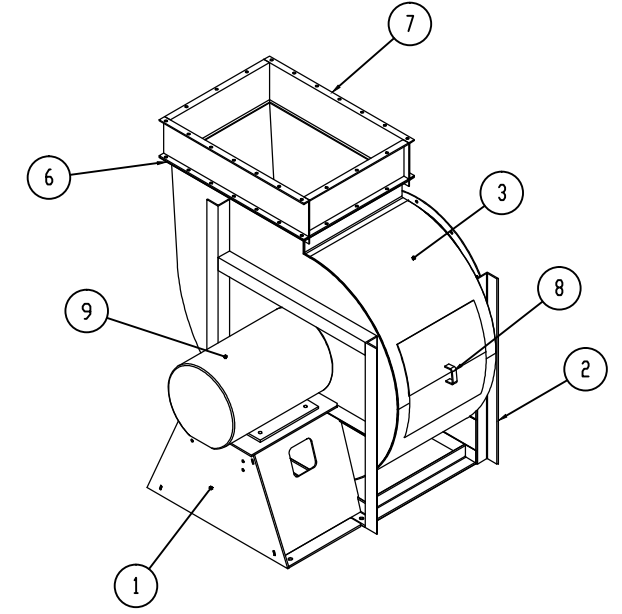


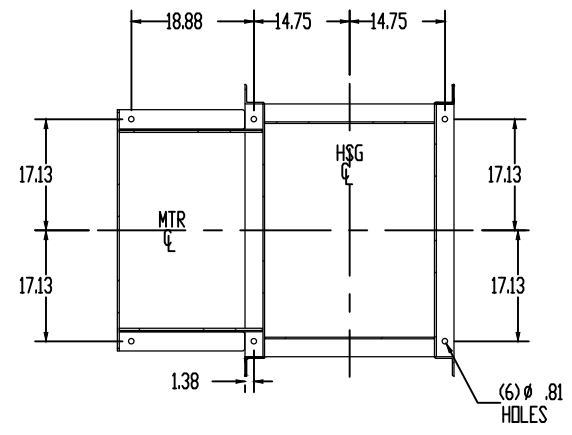
DRIVE SIDE VIEW



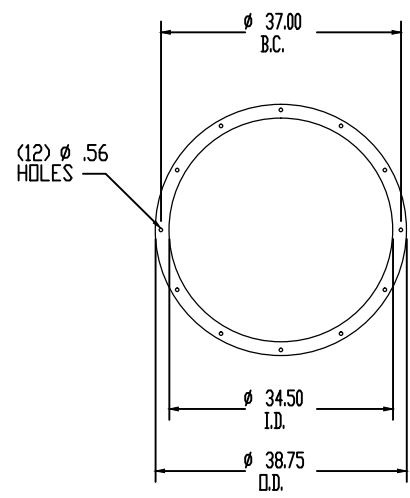
INLET SIDE VIEW



OUTLET FLANGE DETAIL



FOUNDATION PLAN - TOP VIEW SECTION A-A



INLET DETAIL

ACCESSORIES:
 1. DRAIN 3/4" NPT W/PLUG
 2. SHAFT SEAL-STD TYPE

NOTES:
 01. PAINT ENTIRE FAN, INCLUDING DAMPER - AEROVENT GREY

WARNING MESSAGES					
REV	REV BY	REV DATE	CHK BY	CHK DATE	DESCRIPTION
-	-	-	-	-	-

ITEM	DESCRIPTION	QTY	NOTES
10	WHEEL (NOT SHOWN)	1	
9	MOTOR	1	50 HP, 1800 RPM, 3/60/230-460V, TEFC, PREM. EFF., 326T FRAME SIZE, FURN. AND MTD. BY TCF
8	ACCESS DOOR	1	BOLTED
7	DISCHARGE DAMPER	1	PARALLEL BLADE W/O STUFFING BOX
6	OUTLET FLANGE	1	1.5" x 1.5" x .25" ANGLE, PUNCHED
5	INLET FLANGE	1	7 GA THK FLANGE, PUNCHED
4	INLET CONE	1	
3	HOUSING ASSEMBLY	1	HSG SIDE = 7 GA., SCROLL = 7 GA.
2	FRAME	1	3.0' x 3.0' x .25' BASE ANGLES
1	PEDESTAL	1	

* THE DESIGN SHOWN ON THIS DRAWING IS THE EXCLUSIVE PROPERTY OF TWIN CITY FAN COMPANIES, LTD. IT IS NOT TO BE USED FOR ANY PURPOSE OR ITS CONTENTS DISCLOSED WITHOUT OUR WRITTEN CONSENT.

JOB AND LOCATION	
CUSTOMER NAME	AIR CLEANING TECHNOLOGY, INC
JOB NAME	15706
JOB ID	15706
SOL NUMBER	524475
TAG UNIT	BCS 330

PERFORMANCE 'A'	
TEMP.	70°F
ELEVATION	0 FT
DENSITY	0.075
CFM	20000
SP.	12
RPM	1774
BHP.	47.5
T.S.	15326
D.V.	3195

Drawn by: SWS
 Date: 01/16/15
 Checked by: SWS
 Date: 01/16/15
 Motor WT: 542 LBS
 Fan WT: 1334 LBS
 Base WT: 1334 LBS
 Scale: 1:28

Twin City Fans & Blowers
 5959 Trenton Lane N | Minneapolis, MN 55442
 ISO-9001:2008 Registered

TITLE
 SIZE 330, TYPE BCS, CL 17, CW RDT, UBD
 ARR-4, NON-RDT (95% WD.)

DRAWING NO.	ROW	ITEM	SHEET	REV.
BC 524475	001	00	1 OF 1	