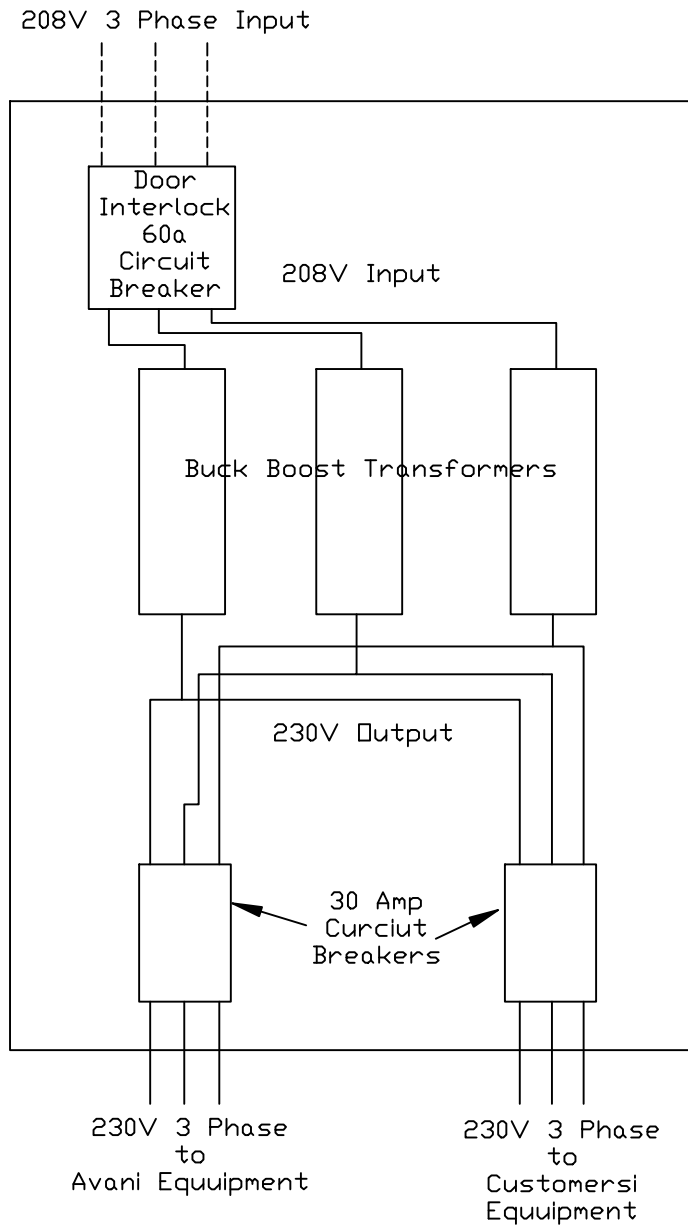


# 208V 3 Phase to 230V 3 Phase Transformer Conceptual Layout



## Transformer Enclosure

- Nema 1 Wall Mount Enclosure
- Door Interlock 60a Circuit Breaker
- (3) Buck Boost Transformers to accept 208V Wye 3 phase input power and output 230V 3 phase at 40 amps
- 2 - 30a Circuit Breakers
- Assembled and Tested
- All drawings and diagrams supplied
- 2-3 Week Delivery

PRICE: \$2515.00

Avani Environmental  
95 Cypress Drive  
Youngsville, NC 27596  
P# 919-570-2862 F# 919-570-2863

**Avani**

Project: Renwick Project	
Drawing: Transformer Layout	
Date: 5/25/11	Drawn by: WWB
Sheet No: 1 of 1	Rev 0: