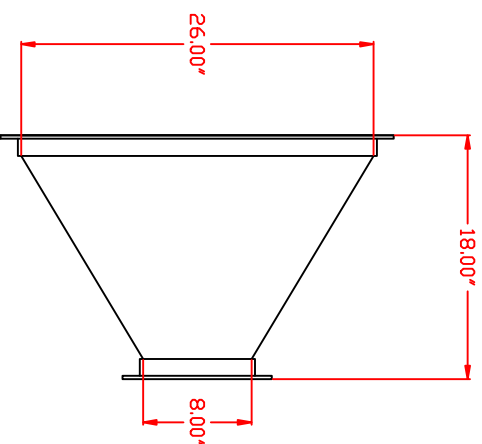
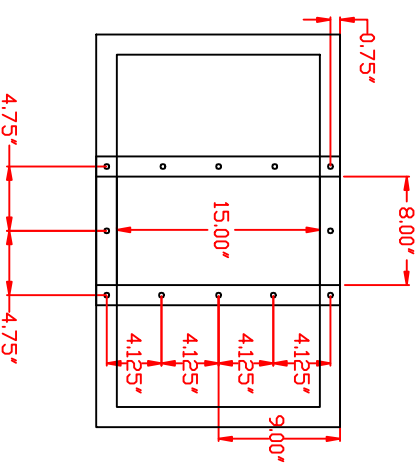
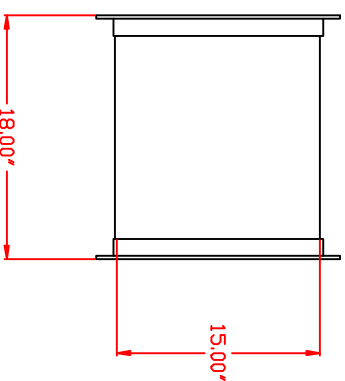
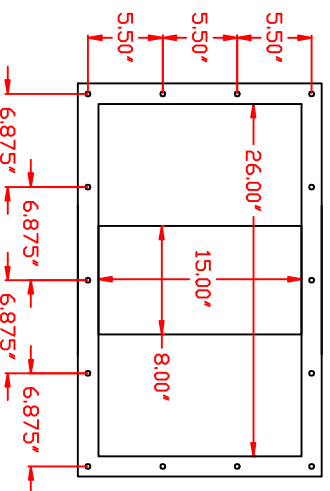


Regency Sales for AEM ROBD-40 Silencer Transition



- Notes:
- 1) All flanges are 1 1/2"
 - 2) Transitions are 16 gauge sheet metal
 - 3) All bolt holes are 7/16"

Avani Environmental Intl. 95 Cypress Drive Youngsville, NC 27596 P# 919-570-2862 F# 919-570-2863	Avani
Project: Regency Sales-AEM	
Drawing: ROBD-40 SilencerTrans.	
Date: 2/16/12 Drawn by:WWB	
Sheet No: 1	Rev: 0