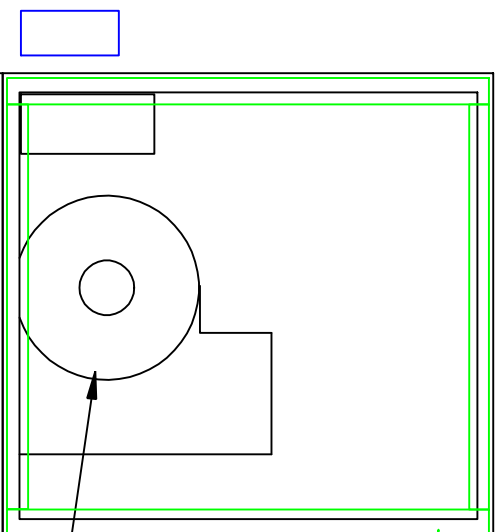


Sound Insulation in motor compartment

End View of
motor compartment



Add sound insulation to the top, sides and bottom of the motor compartment. What is the rating and spec on the insulation?

Exhaust Fan

Avanti Environmental 95 Cypress Drive 27596 Raleighville, NC # 919-570-2862 F# 919-570-2863	Avanti
Project: Randolph CC	
Drawing: Insulation mods	
Date: 5/10/11 Drawn by: RAV	
Sheet No:	