

UL 508BA LISTED PANEL

REV	DESCRIPTION	BY	CHK'D	APP'D	DATE

THIS DRAWING IS A PRIVATE AND CONFIDENTIAL COMMUNICATION AND THE PROPERTY OF ESSCO. IT MUST NOT BE COPIED, ALTERED, USED FOR MANUFACTURING OR COMMUNICATED TO ANY OTHER PERSON OR COMPANY WITHOUT CONSENT OF ESSCO.

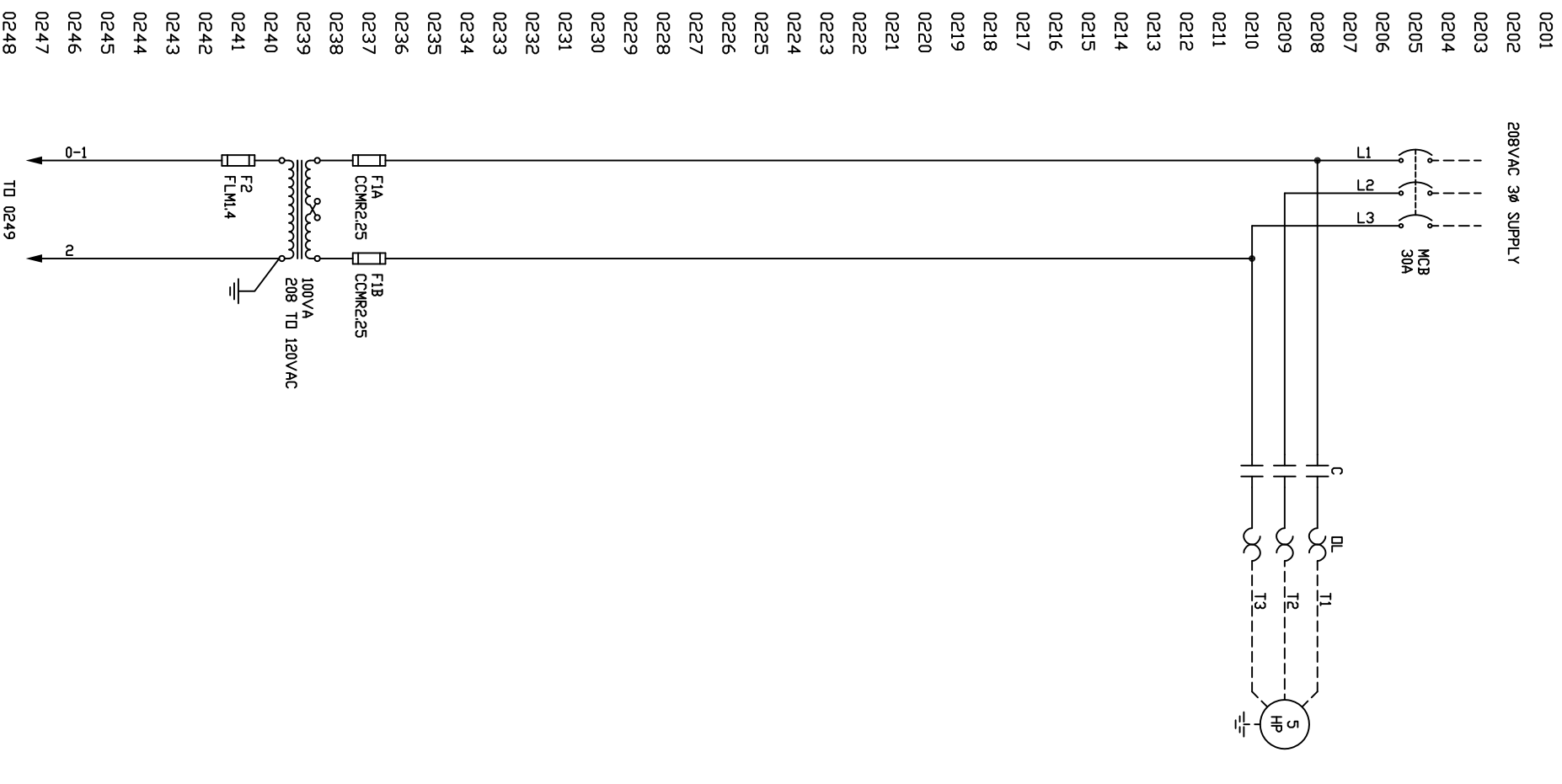
**ESSCO**  
ELECTRIC SERVICE & SALES  
A Division of Tencava Machinery Co.

1800 Sullivan St., Greensboro, NC 27405  
Tel: (336) 275-5321 Fax: (336) 275-5325  
Web site: www.esscoinc.com

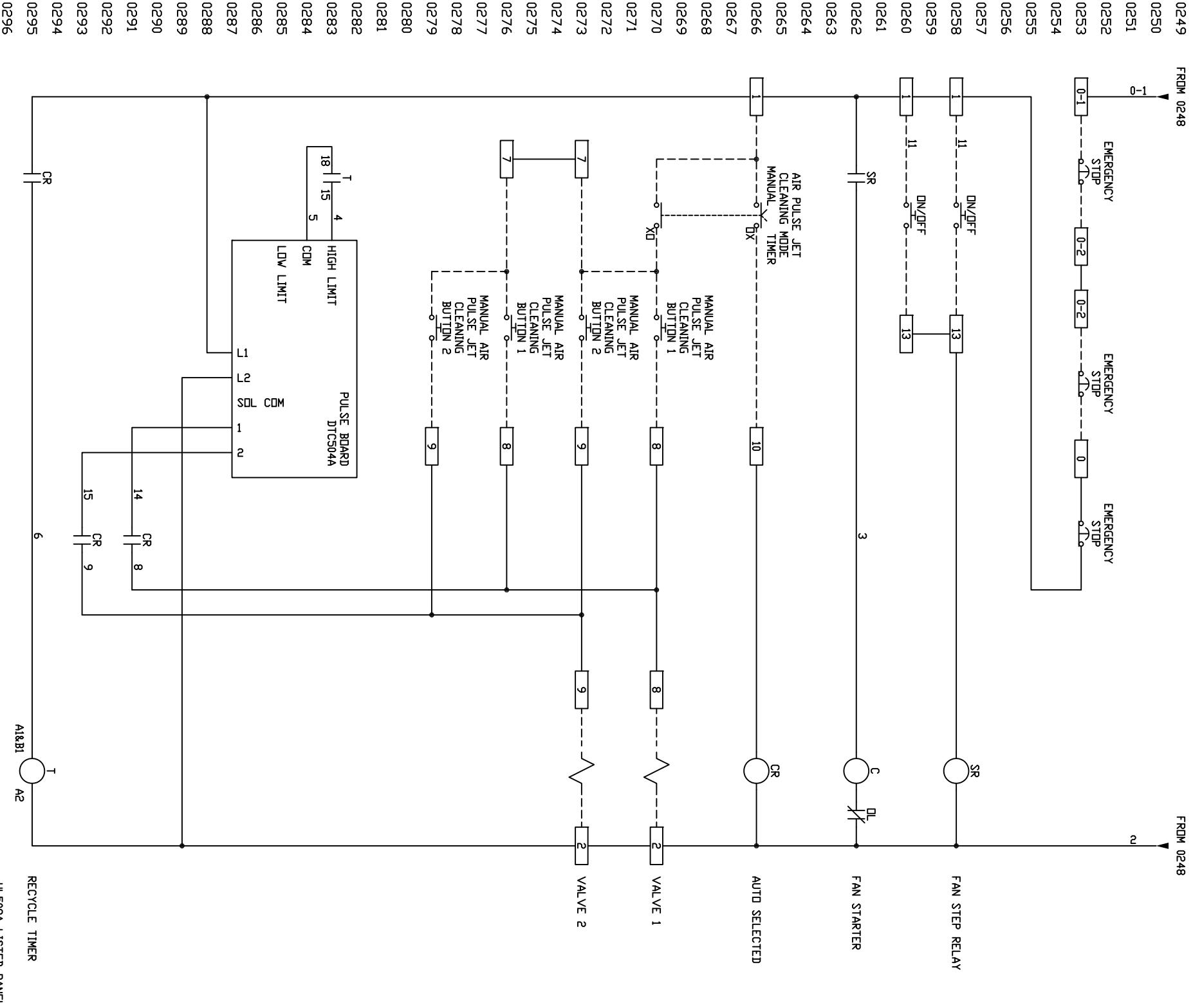
DRAWN BY: RM 7/20/11  
CHECKED BY: RM 7/26/11  
SHIPPED BY: RM 7/27/11

TITLE: SHP 208VAC STARTER & PULSE CLEANER  
ELECTRICAL DIAGRAM  
SCALE: NTS  
DRAWING NUMBER: 11139A02

REV: 0 LAST WIRE



NOTE - ALL WIRES MATCH TERMINAL NUMBERS EXCEPT WIRE NUMBER 11 THAT IS CONNECTED TO TERMINAL 1.



REV	DESCRIPTION	BY	CHK'D	APP'D	DATE

THIS DRAWING IS A PRIVATE AND CONFIDENTIAL COMMUNICATION AND THE PROPERTY OF ESSCO. IT MUST NOT BE COPIED, ALTERED, USED FOR MANUFACTURING OR COMMUNICATED TO ANY OTHER PERSON OR COMPANY WITHOUT CONSENT OF ESSCO.

**ESSCO**  
ELECTRIC SERVICE & SALES  
A Division of Tenneco Machinery Co.

1800 Sullivan St., Greensboro, NC 27405  
Tel: (336) 275-5321 Fax: (336) 275-5325  
Web site: www.esscoco.com

DRAWN BY: RM 7/20/11  
CHECKED BY: RM 7/26/11  
SHIPPED BY: RM 7/27/11

TITLE: SHP 208VAC STARTER & PULSE CLEANER  
ELECTRICAL DIAGRAM  
DRAWING NUMBER: 11139A02

REV: 0 LAST WIRE