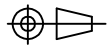


DO NOT SCALE

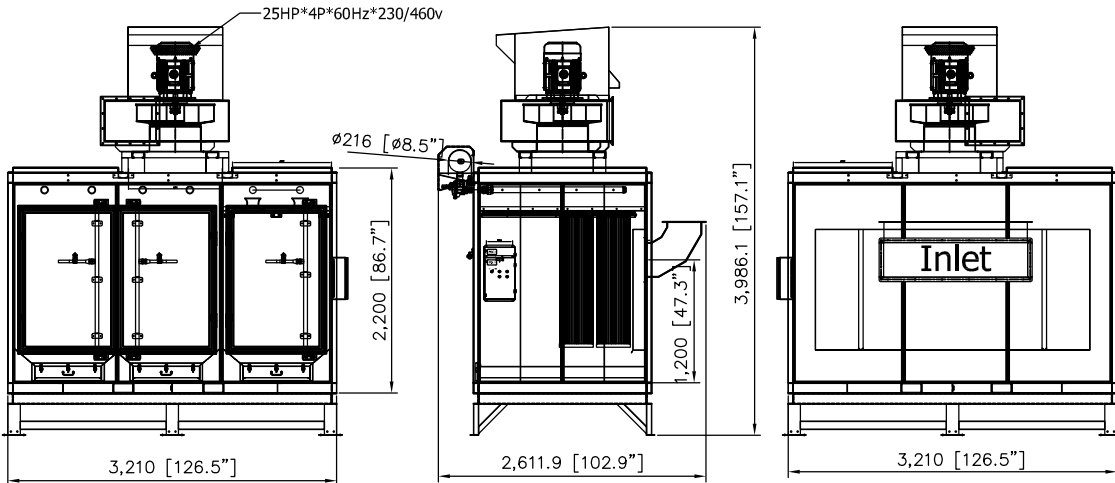
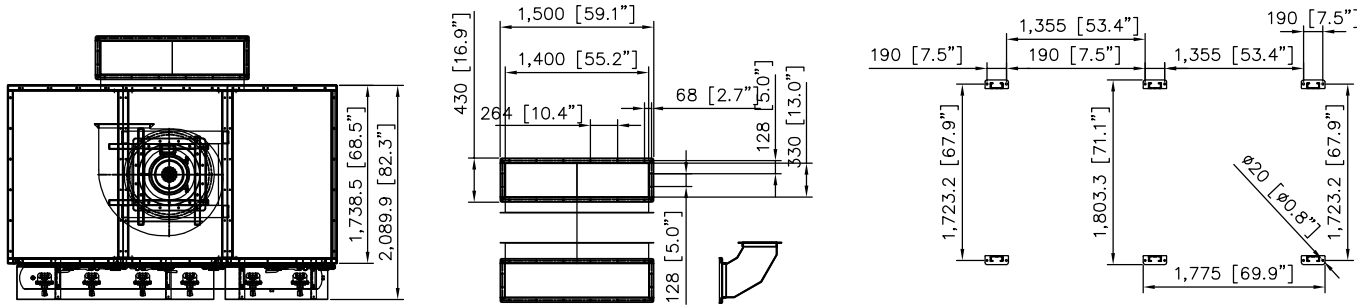
IF IN DOUBT ASK



Revisions			
Rev	Description	Date	Approved

- SDC-25-24MDF SPECIFICATION -

PLAN DETAIL



- Direct Drive Blower (on the machine top)
- Motor: 25HP x 1 pc
- CFM: 10,000 ft³/min @ 8" SP
- Include:
 - UL Individual Control Boxes for Cartridge Collector and Blowers
- Inlet: 1400 x 330 mm (55.2" x 13")
- Cartridge Filter: Dia. 325mm x 1320mm x 24pcs (Dia. 12.8" x 52" x 24pcs)
- Material: Polyester with TEFLON coating.
- Filter Area: 19m² x 24 = 456m² (4906.56 ft²)
- Pleat Depth: 48mm
- Horizontal Positioned Filters,
- Continuous Welded Seams,
- Gasket and Latched Doors,
- Powder Coated Paint and
- Reverse Jet Pulse Cleaning
- Include:
 - Filter Chamber
 - Inlet Square Pipe (need dimensions)
 - Fan/motor combinations
- No. of Valves: 6
- Inlet Air: $\frac{3}{4}$ "
- Compressed Air Requirement: 90 PSI
- Compressed Air Reservoir: 23.7 gallon
- Dimension: 126.5" x 102.9" x 157.1" (3210 x 2611.9 x 3986.1mm)
- Construction: 13 Gauge for panel;
- 11 Gauge Steel Cabinet
- Max. Operating Temp.: 120°C
- Paint Color: Blue

***with Feet underneath the machine.

AVANI ENVIRONMENTAL INTL. INC. Sales Department
 95 Cypress Drive (919) 570-2862
 Youngsville, NC 27596 info@avanienvironmental.com

Drawn by:	Date	Name	Part Number:	Title:	
Checked by:	2011-06-28	***	SDC-25-24MDF	Cartridge Collector (drawer type) w Feet	
The drawings, AutoCAD, 3-D Models, and specifications are the property of Avani Environmental Intl. Inc. (AE) and may not be reproduced, distributed, modified, or otherwise used, except provided herein, without the express written permission of AE.			Size	Scale	Drawing Number:
			A	1 = 1	SVL-2400-02