



**Date:** February 01, 2012

**To:** Phillips Medical

**Project:**

**Attn:**

**Recommended Equipment:**

(1) Grinding Room: 10'W x 10'D x 10'H

- louvers and viewing windows on swing out front doors
- sound abatement in walls
- only back slots (6) and backdraft shelve (starting at 36" height)
- roof without top hood draft
- 2" vacuum port

(1) Top Mount Collector TMC-10-8:

- 10HP / 480V / 60Hz / 3-phase
- 8 cartridges: polyester spun bond cartridges: dia. 12.8" x 26"L/pc
- HEPA modules
- gauge

---

**Avani Environmental Intl. Inc.**

95 Cypress Drive

Youngsville, NC 27596

[www.avanienvironmental.com](http://www.avanienvironmental.com)

Phone: (919) 570-2862

Fax: (919) 570-2863

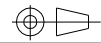
Email: [info@avanienvironmental.com](mailto:info@avanienvironmental.com)

[www.weldingbooths.com](http://www.weldingbooths.com)

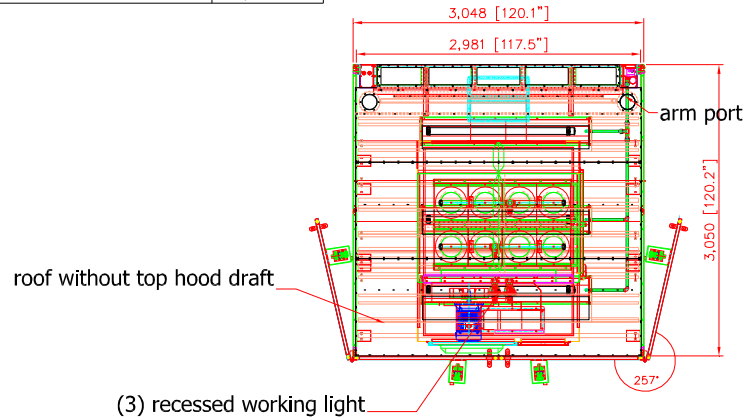
The drawings, AutoCAD, 3-D Models, and specifications are the property of Avani Environmental Intl. Inc. (AE) and may not be reproduced, distributed, modified, or otherwise used, except provided herein, without the express written permission of AE.

DO NOT SCALE

IF IN DOUBT ASK



| Revisions |             |      |          |
|-----------|-------------|------|----------|
| Rev       | Description | Date | Approved |
|           |             |      |          |



### TMC-10-8 TOP MOUNT COLLECTOR SPECIFICATIONS

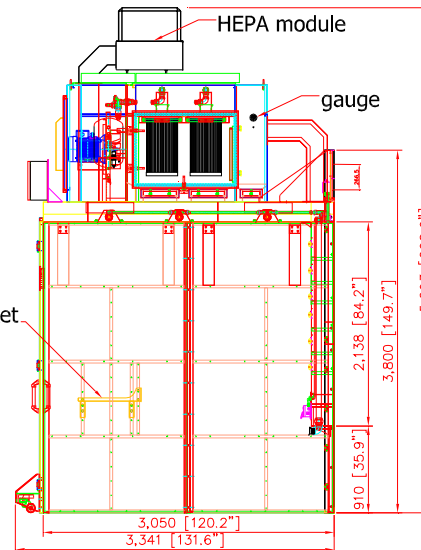
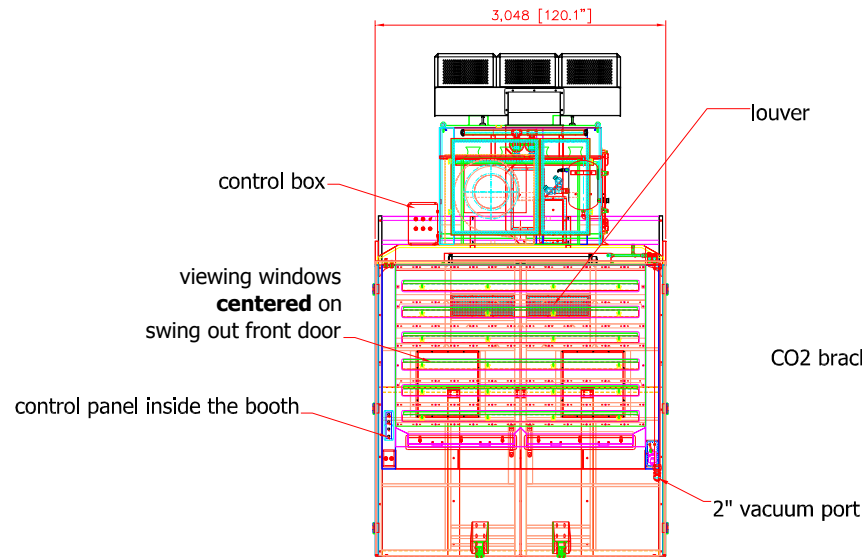
- Motor: 10HP  
 \*\*\*TEFC Motor

- Electric Spec: 480V / 60Hz / 3Ph

#### Filtration Stages:

1. Cartridge Filter: DIA. 325 x 660mmL x 8 pcs
  - spec: dia. 325 x 660mmL (12.8" x 26"L)
  - filtering area: 10m<sup>2</sup> x 8 = 80m<sup>2</sup> (860.8 ft<sup>2</sup>)

- HEPA modules
- gauge
- 2" vacuum port



backdraft shelf  
 (starting at 36" height)

sound abatement in walls

AVANI ENVIRONMENTAL INTL. INC. Sales Department  
 95 Cypress Drive  
 Youngsville, NC 27596

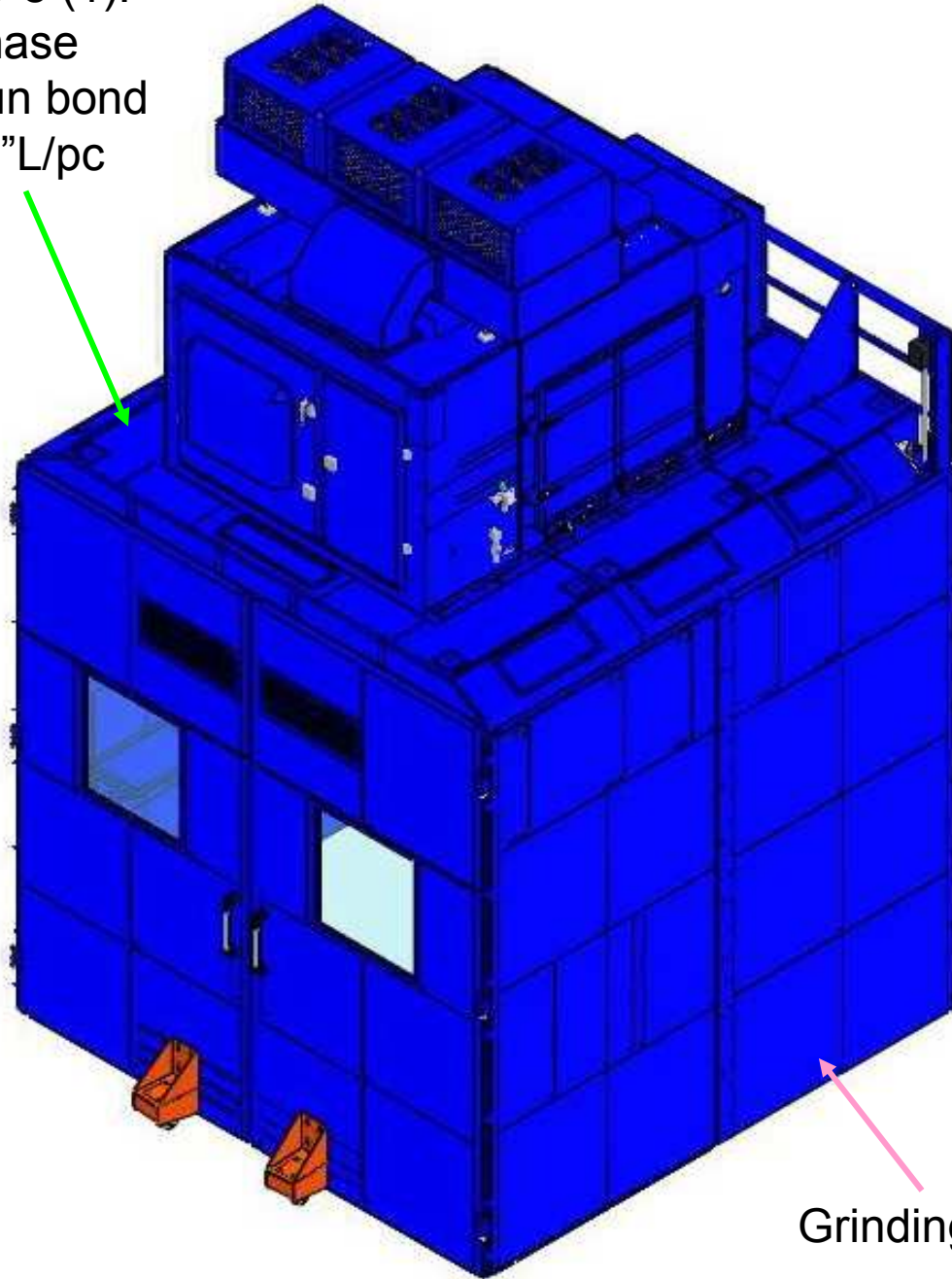
(919) 570-2862  
 info@avanienvironmental.com

|  |            |      |                          |
|--|------------|------|--------------------------|
| Drawn by:  | Date       | Name | Part Number:<br>Phillips |
| Checked by:  | 2012-02-01 | ***  |                          |
|  | 2012-01-17 |      |                          |
| The drawings, AutoCAD, 3-D Models, and specifications are the property of Avani Environmental Intl. Inc. (AE) and may not be reproduced, distributed, modified, or otherwise used, except provided herein, without the express written permission of AE. |            |      |                          |

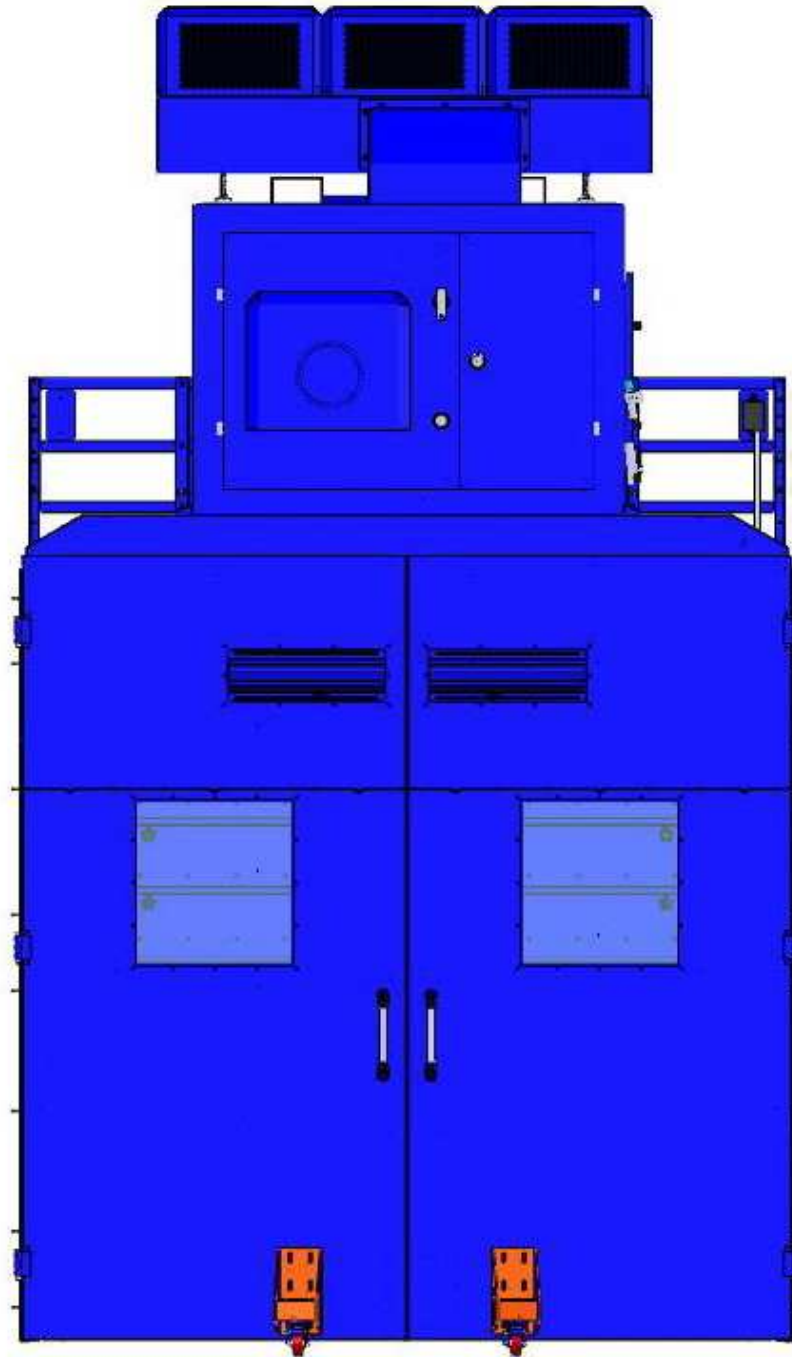
|  |                 |                                   |
|--|-----------------|-----------------------------------|
| Title:<br>Grinding Room 10'W x 10'D x 10'H<br>TMC-10-8 w HEPA module |                 |                                   |
| Size<br><b>A</b>   | Scale<br>1 = 40 | Drawing Number:<br>WB-10x10x10P-G |

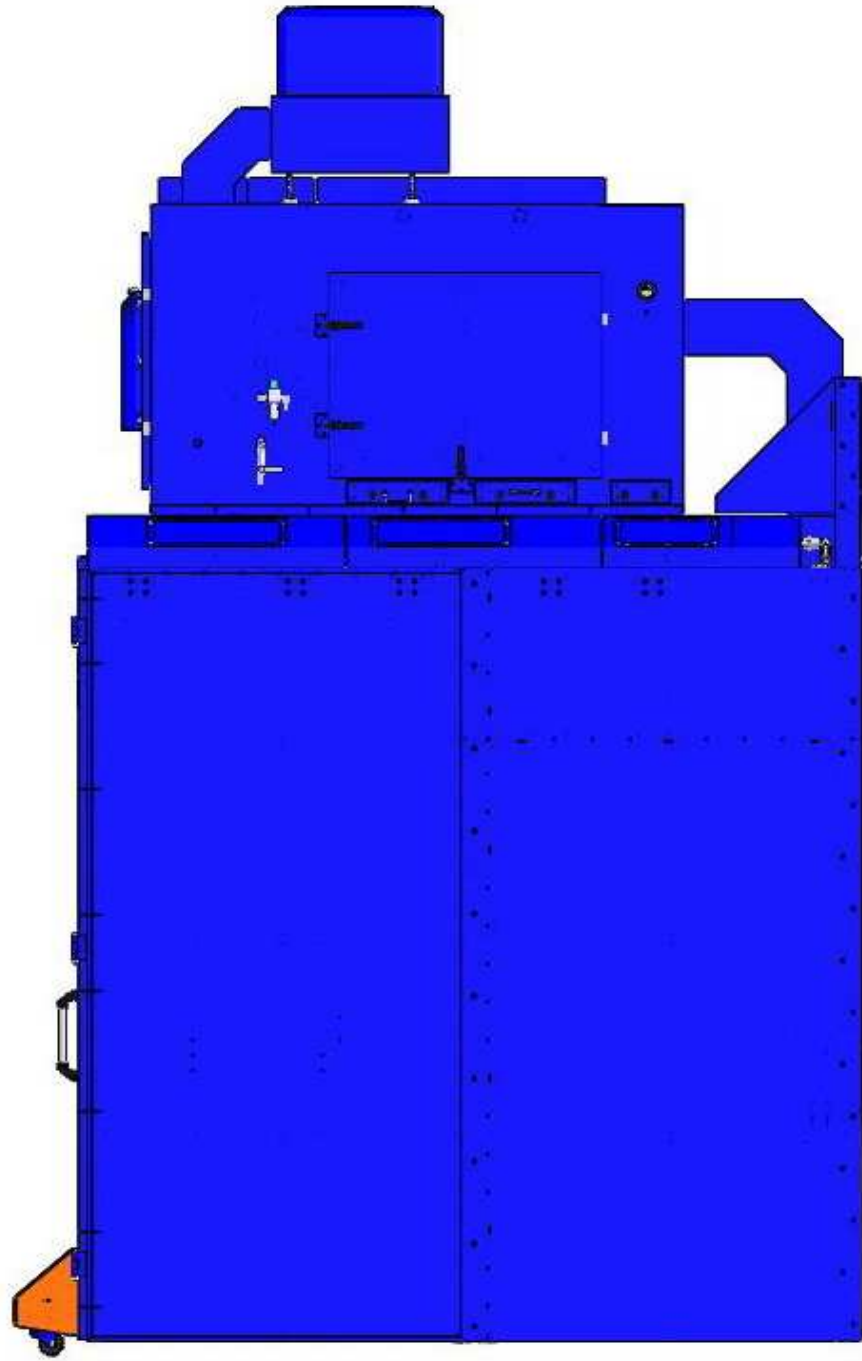
Top Mount Collector TMC-10-8 (1):

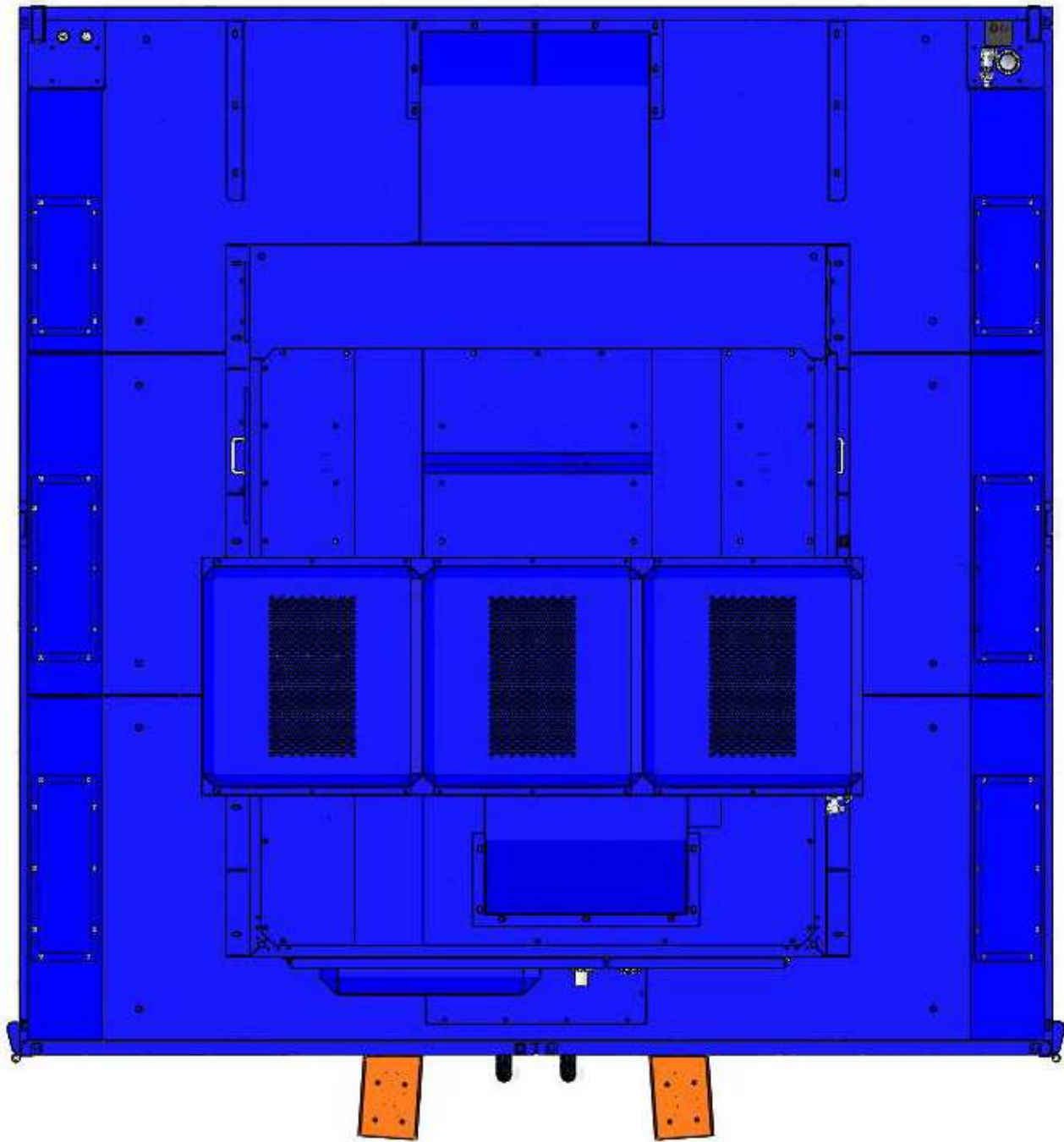
- 10HP / 480V / 60Hz / 3-phase
- 8 cartridges: polyester spun bond cartridges: dia. 12.8" x 26"L/pc
- HEPA modules
- gauge

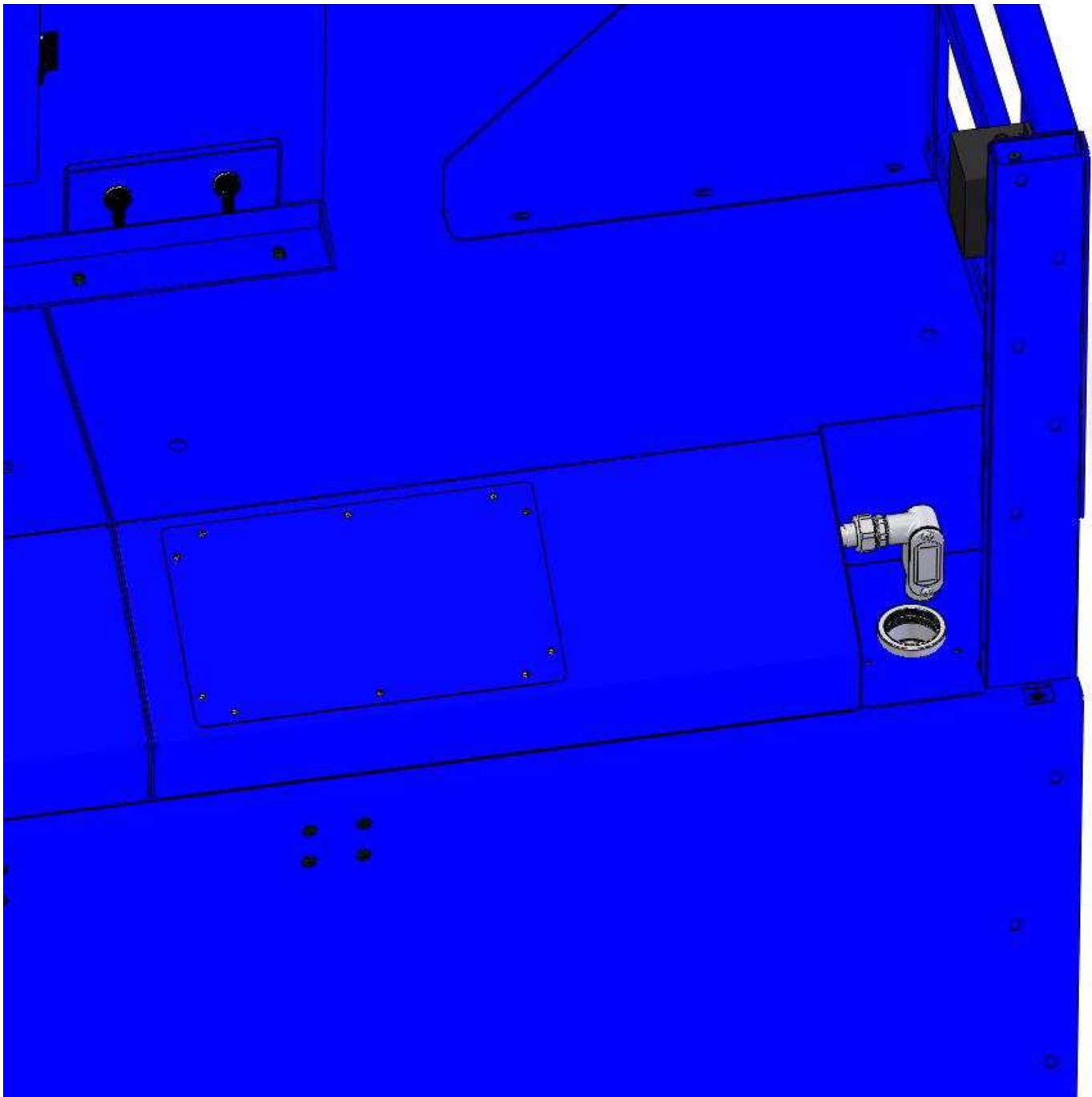


Grinding Room (1):  
10'W x 10'D x 10'H

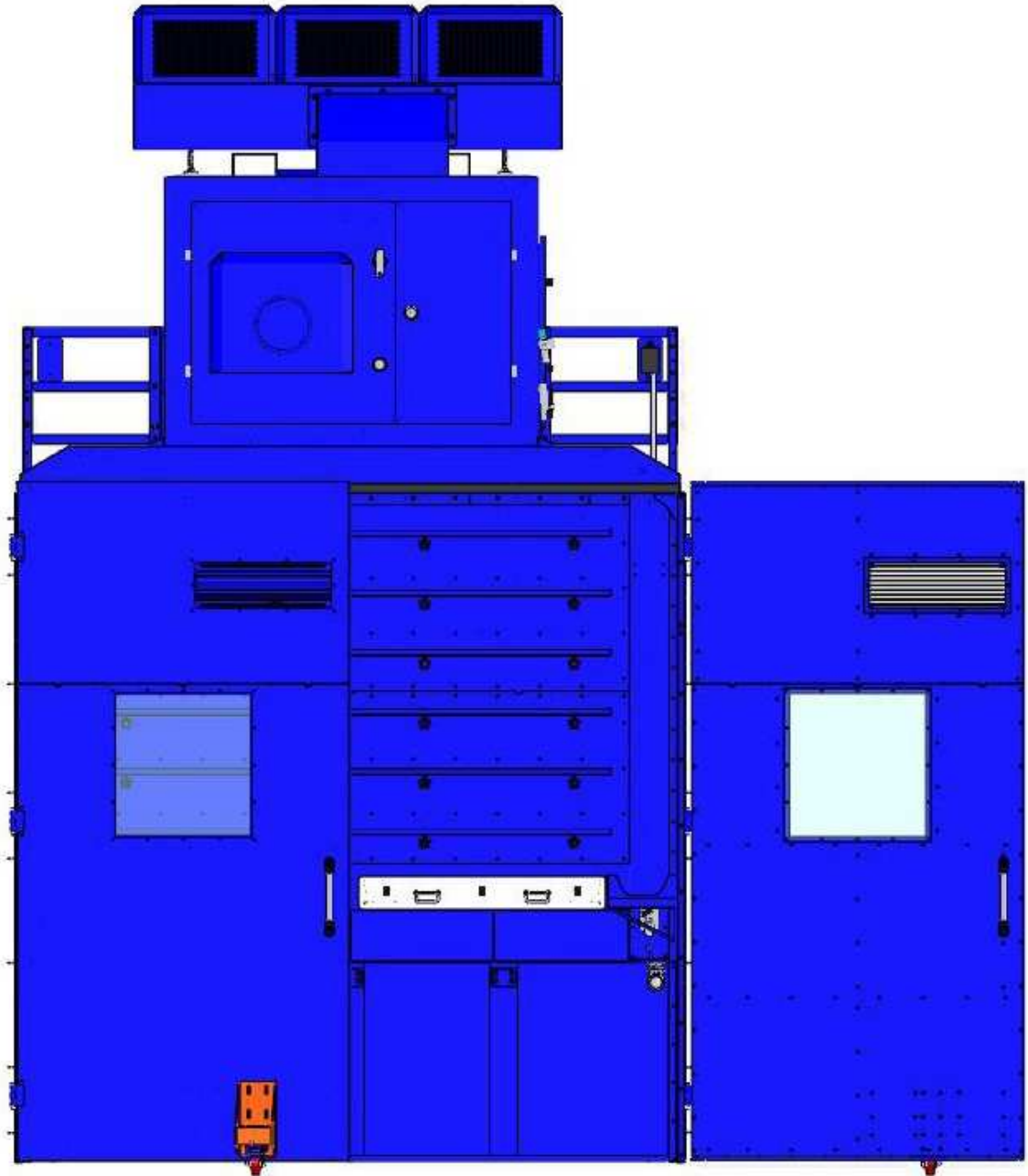




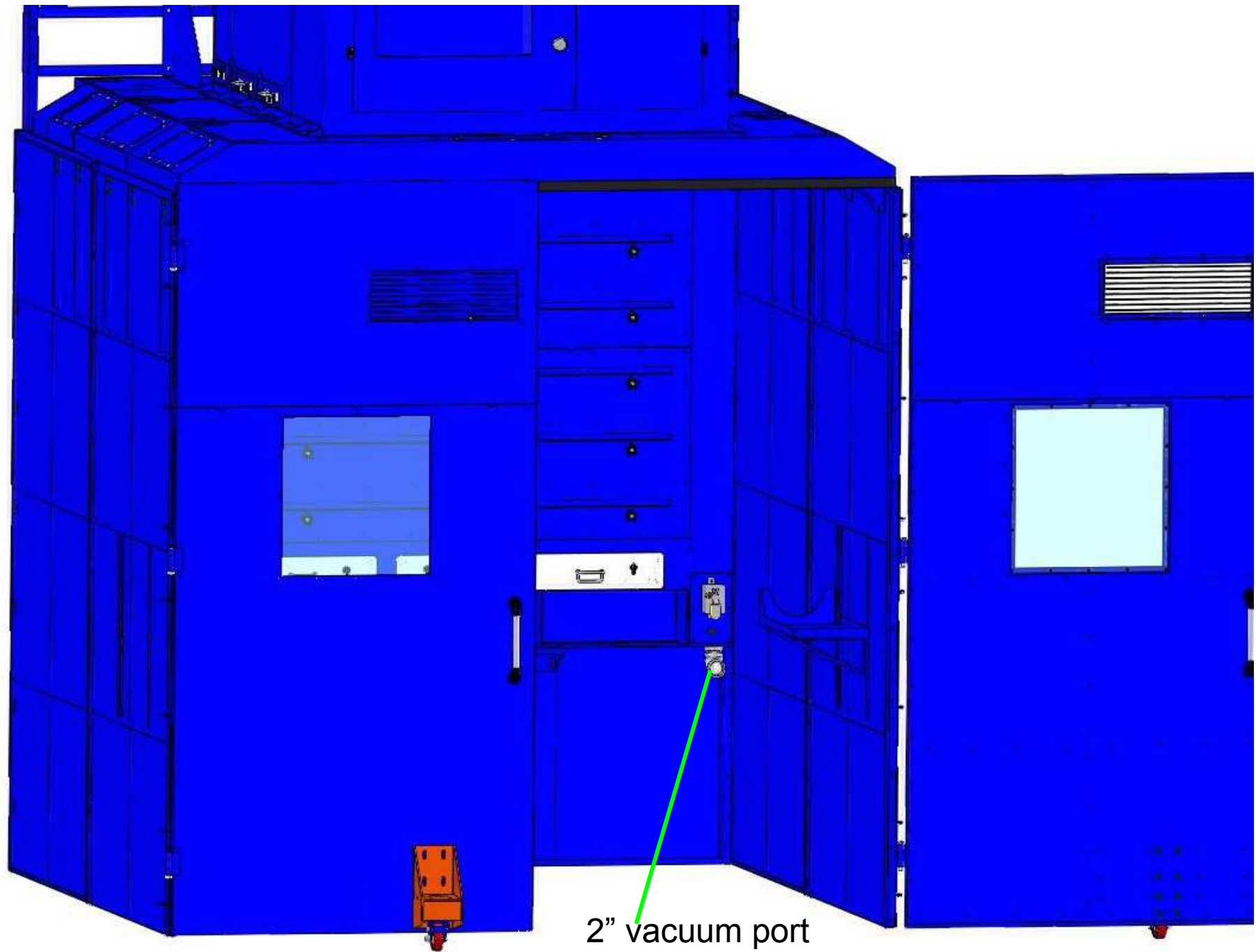












2" vacuum port