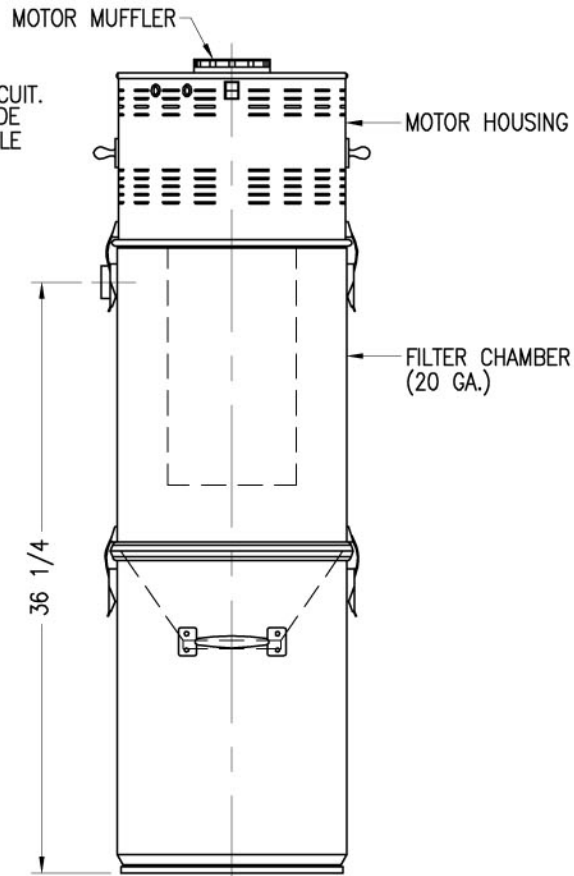
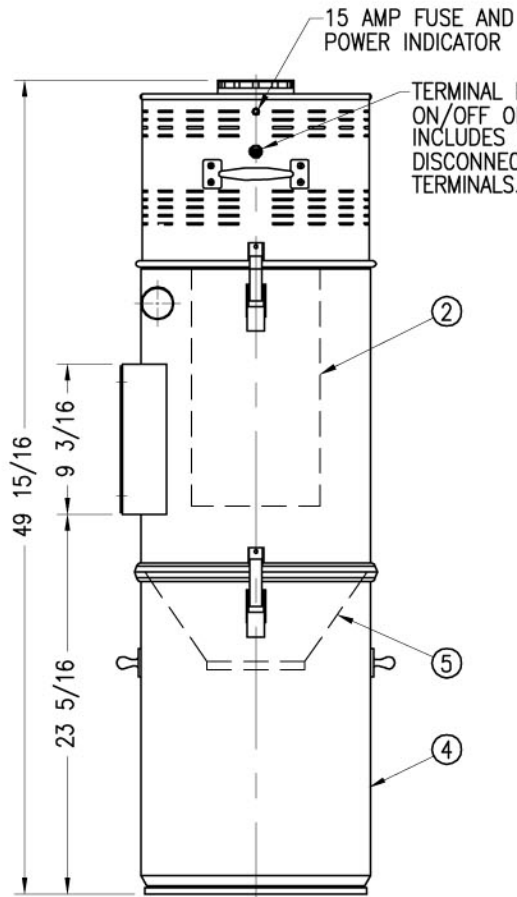


WALL BRACKET MOUNTING DETAIL



ITEM	DESCRIPTION	PART NO.
1	2.5 HP VACUUM MOTOR	115330
	VOLT/PHASE/FREQ. - 110/1/60	
	MOTOR F.L. AMPS - 13 AMPS	
	AIR FLOW (FREE FLOW) - 110 CFM	
	STATIC PRESSURE - 110" W.G.	
2	FILTER CARTRIDGE	50-129
	NUMBER OF FILTER/AREA - 1/30 SQ. FT.	
3	DIRT CANISTER (20 GA.)	50-740
4	CYCLONE	50-727

AV-E-II-2.5

GENERAL NOTES:
 VACUUM MOTOR HOUSING EQUIPPED WITH 15 FT. LONG POWER CORD.

REVISIONS		
REV. NO.	DESCRIPTION	DATE

TITLE: Avani - 2.5 HP CENTRAL SYSTEM (50-161)
 DRAWN BY: C.B. SCALE: 1:12
 CHECKED BY: C.R. DATE: 10/23/09
 DWG. NO.: EII 50-161

PDF Created with deskPDF PDF Writer - Trial :: http://www.docuDesk.com