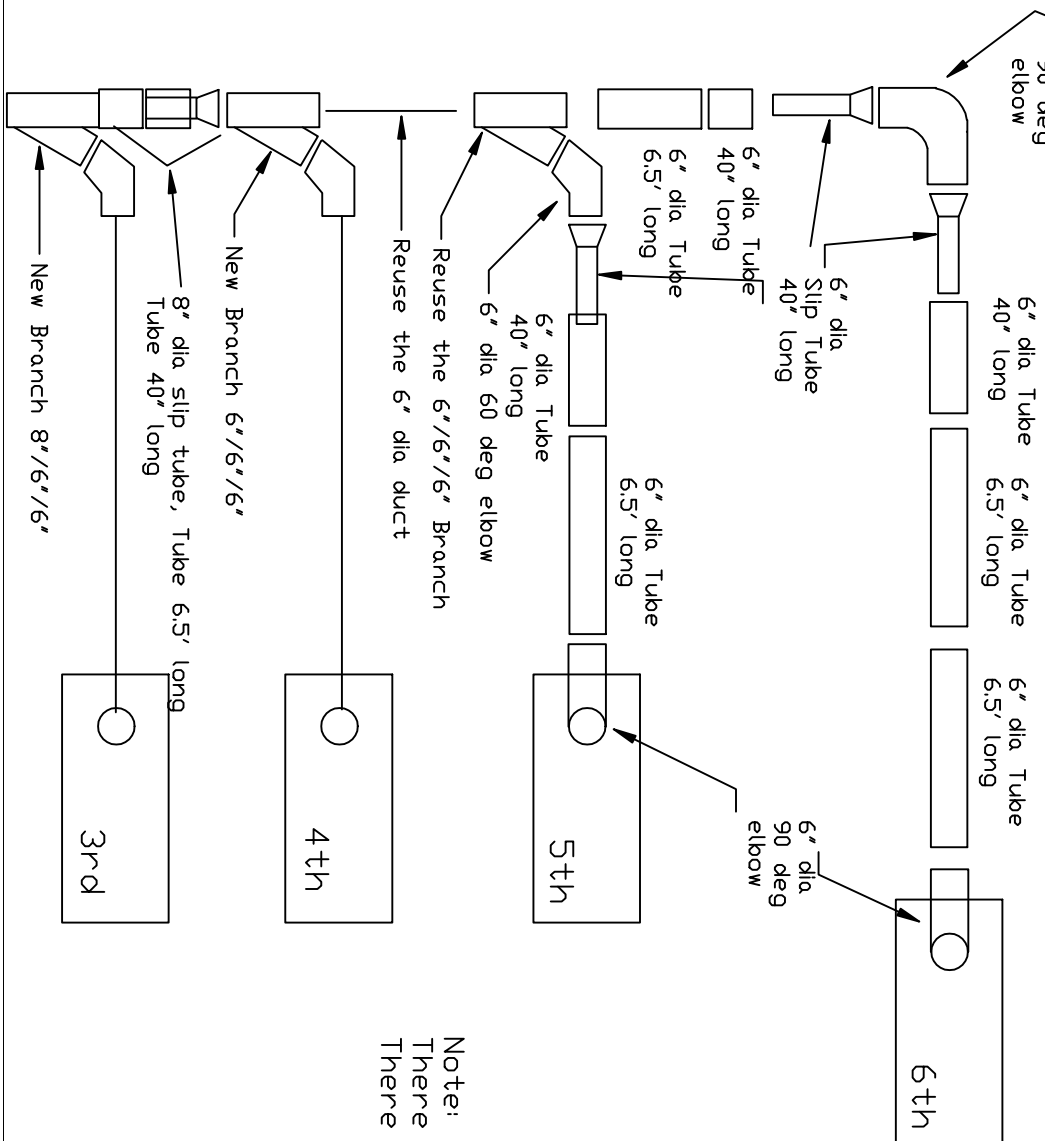
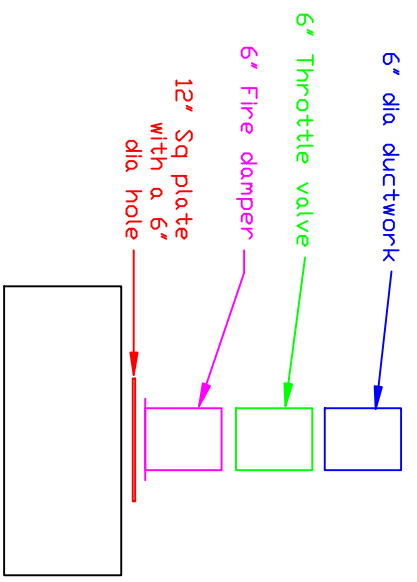


# Absolent Ductwork Layout added Tornos



For the Tornos machine Side View  
 add a 6" connecting of drop detail  
 Flange to top of unit.



Note:  
 There is all-Gasket between every joint.  
 There is a Clamp at every joint.

Avanti Environmental 95 Cypress Drive 27596 Raleigh, NC 27603 PH 919-570-2862 FX 919-570-2863	<b>Avanti</b>
Project: Petron Automation	
Drawing: Revised Layout	
Date: 8/4/11 Drawn by: RAV	
Sheet No:	