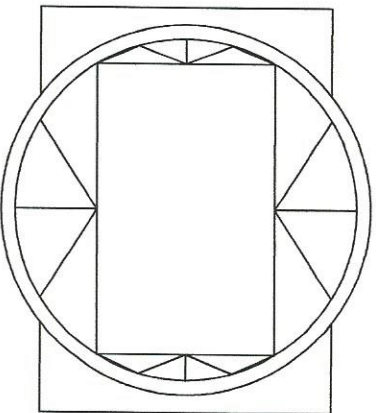
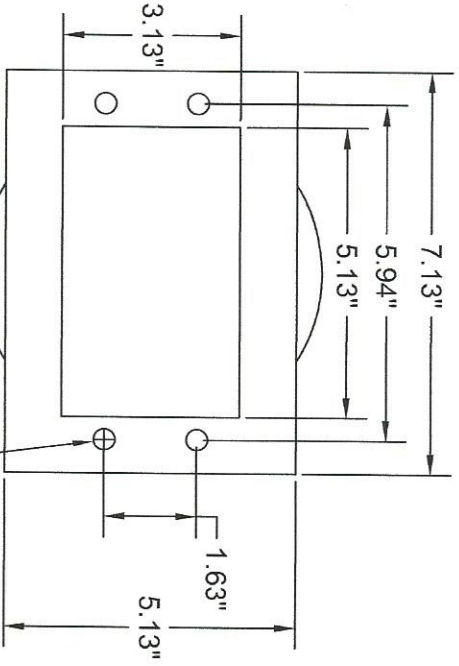


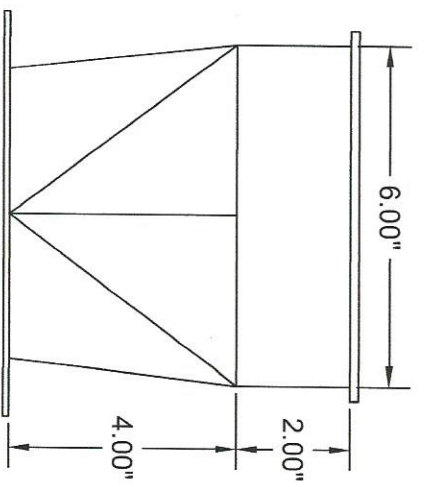
# Petron Automation Nano Machine Connection



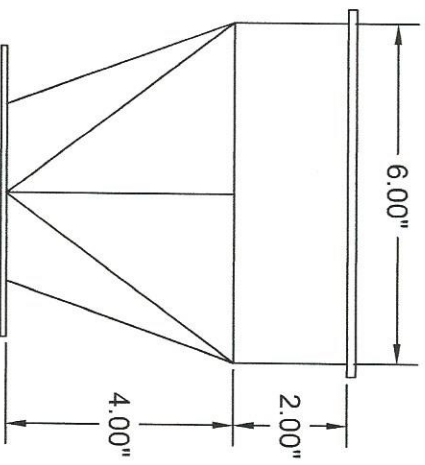
Top View



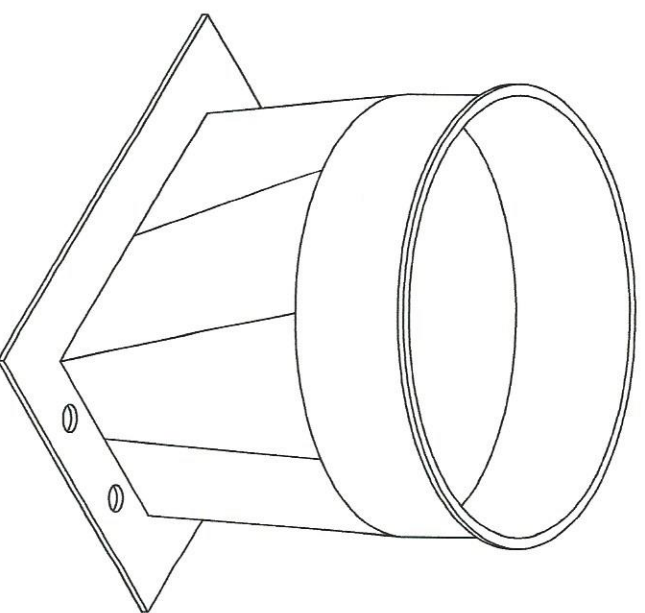
Bottom View



Side View



Front View



Isometric View

Avanti Environmental Intl. 95 Cypress Drive Youngsville, NC 27596 Ph# 919-570-2862 Fax 919-570-2863		<b>Avani</b>
Project: Petron Automation		
Drawing: Nano Machine Connection		
Date: 4/8/14	Drawn by: MDT	
Sheet No: 1 of 1	Rev.: 0	