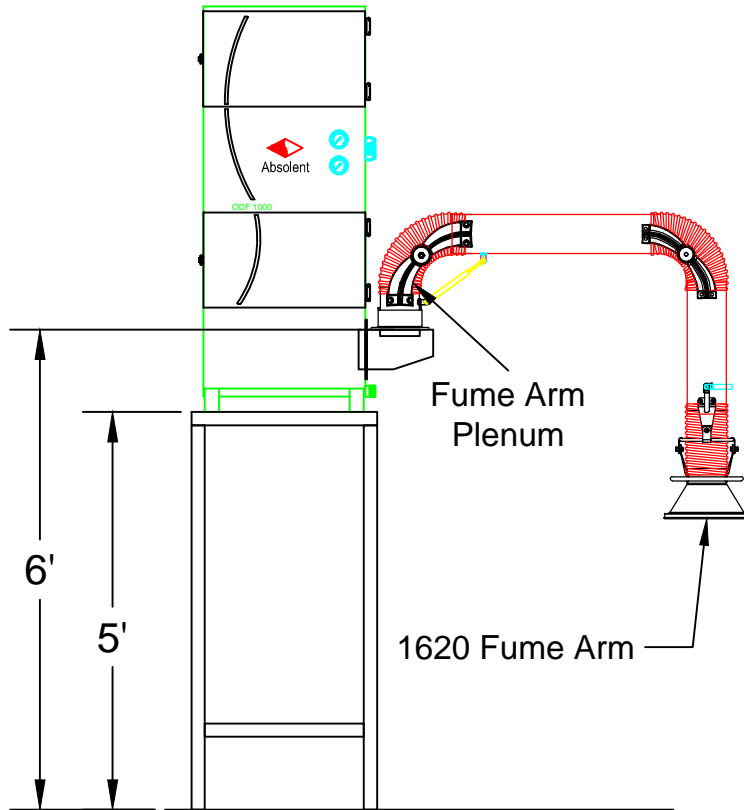
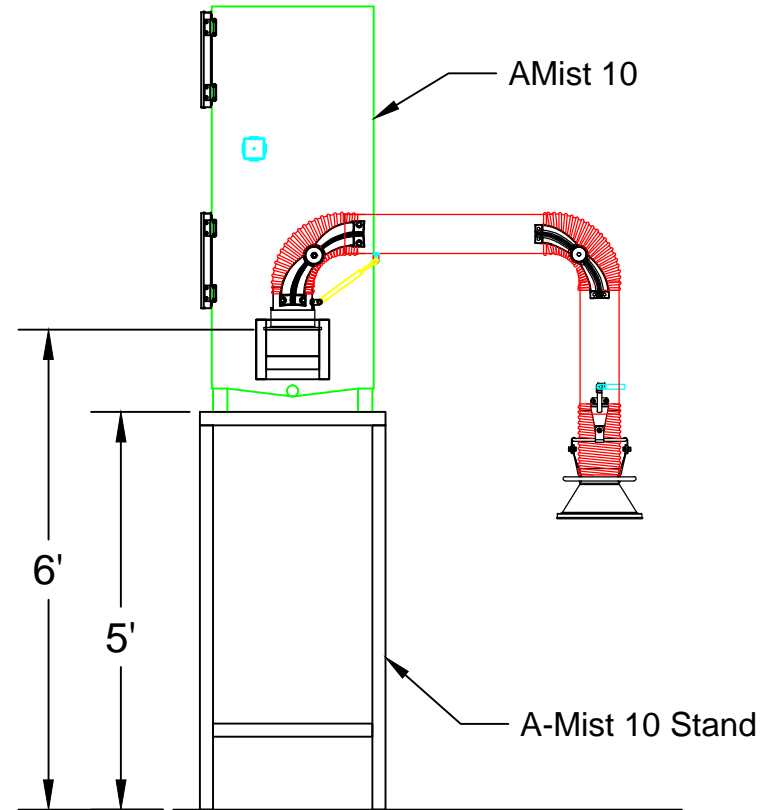


Paramont Die SO20990



Front View



Side View

Notes:

1. Customer will install.

Avani Environmental Intl. Inc.
 95 Cypress Drive
 Youngsville, NC 27596
 P# 919-488-2862 F# 919-488-2863

Avani

Project: Paramount Die SO20990

Drawing: Absolent Setup

Date: 2/26/14

Drawn by: MDT

Sheet No: 1 OF 1

Rev 1