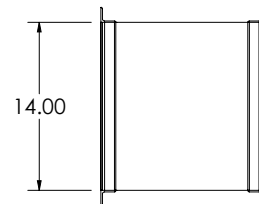
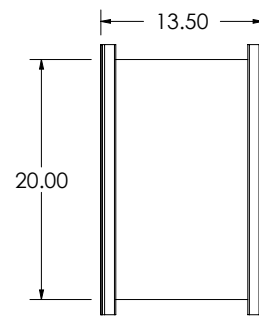
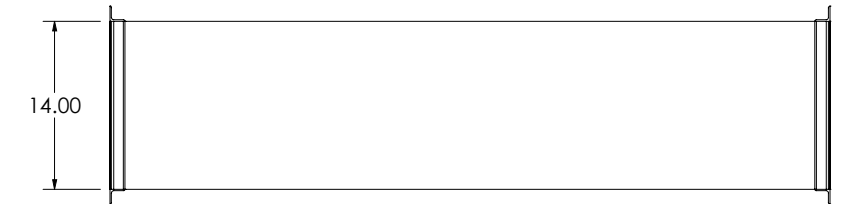
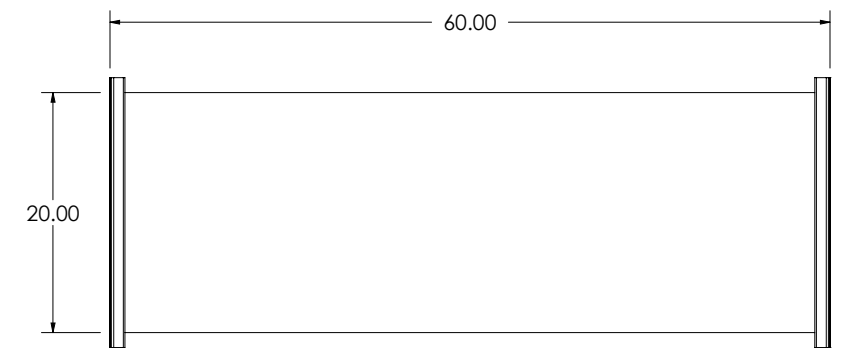


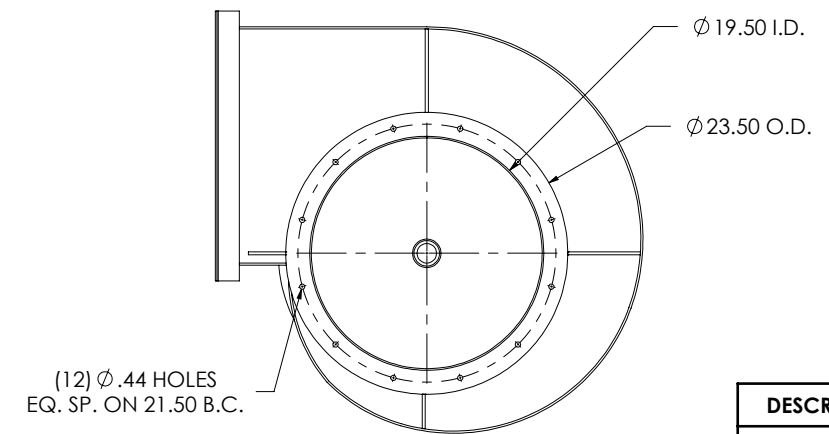
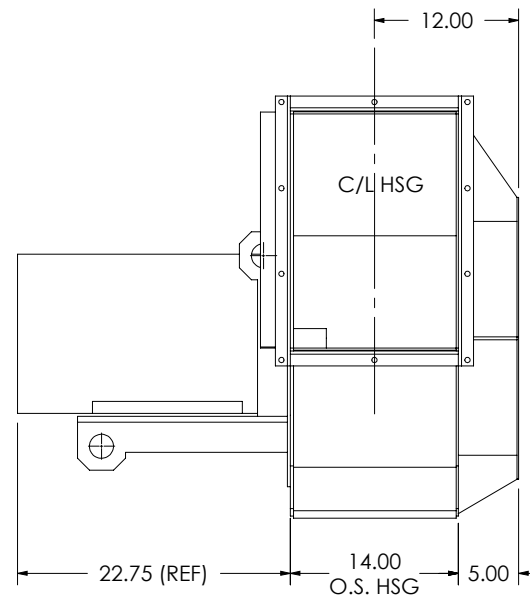
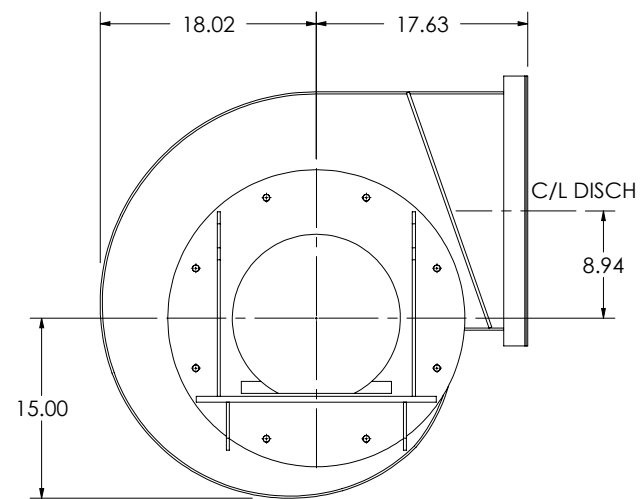
BUILT-IN DAMPER



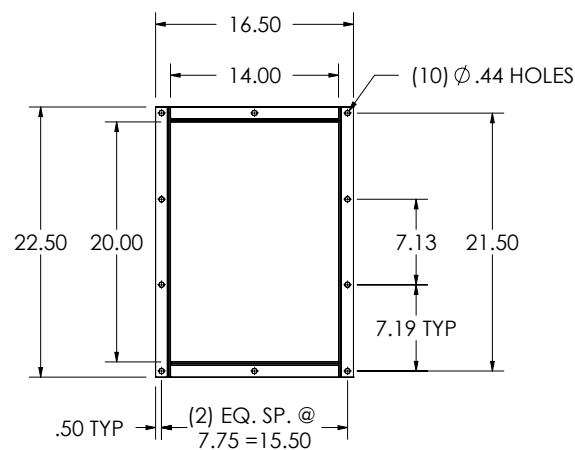
DETACHED OUTLET DAMPER



OUTLET SILENCER



DESCRIPTION	APPROX. WT (LBS)
FAN	740
DAMPER	87
SILENCER	128
BUILT-IN DAMPER	TBD



NOTES:
1. "CW" ROTATION SHOWN. "CCW" ROTATION SIMILAR BUT OPPOSITE.

THE INFORMATION SHOWN ON THIS DRAWING IS THE EXCLUSIVE PROPERTY OF AVANI ENVIRONMENTAL. IT IS NOT TO BE USED FOR ANY PURPOSE OR ITS CONTENTS DISCLOSED WITHOUT OUR WRITTEN CONSENT.

TOLERANCES UNLESS OTHERWISE SPECIFIED
DECIMALS: .X ± .05
.XX ± .010
.XXX ± .005
FRACTIONS: ± 1/64
ANGULAR: ± 1 DEG
ALL DIMENSIONS IN INCHES UNLESS OTHERWISE SPECIFIED

DRAWN BY JX
DATE 7/29/13
CHKD BY JX
DATE 7/29/13
SHOP NO. TH062615-001
SCALE 1:16

REV	ECN	DATE	BY	CHK	DESCRIPTION
A	-	3/17/15	-	-	ADD WEIGHTS

avani environmental
95 Cypress Dr.
Youngsville, NC 27597
Phone: 919-570-2862
www.avanienvironmental.com

TITLE	DRAWING NO.	SHEET	ITEM	REV.
TCF 20 TCBI FAN W/ ACCESSORIES	BC 500053	1 OF 1	-	A