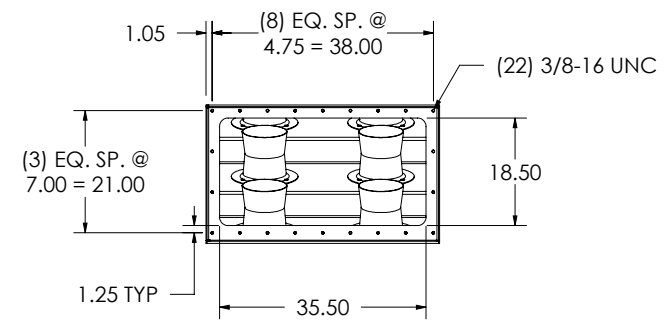
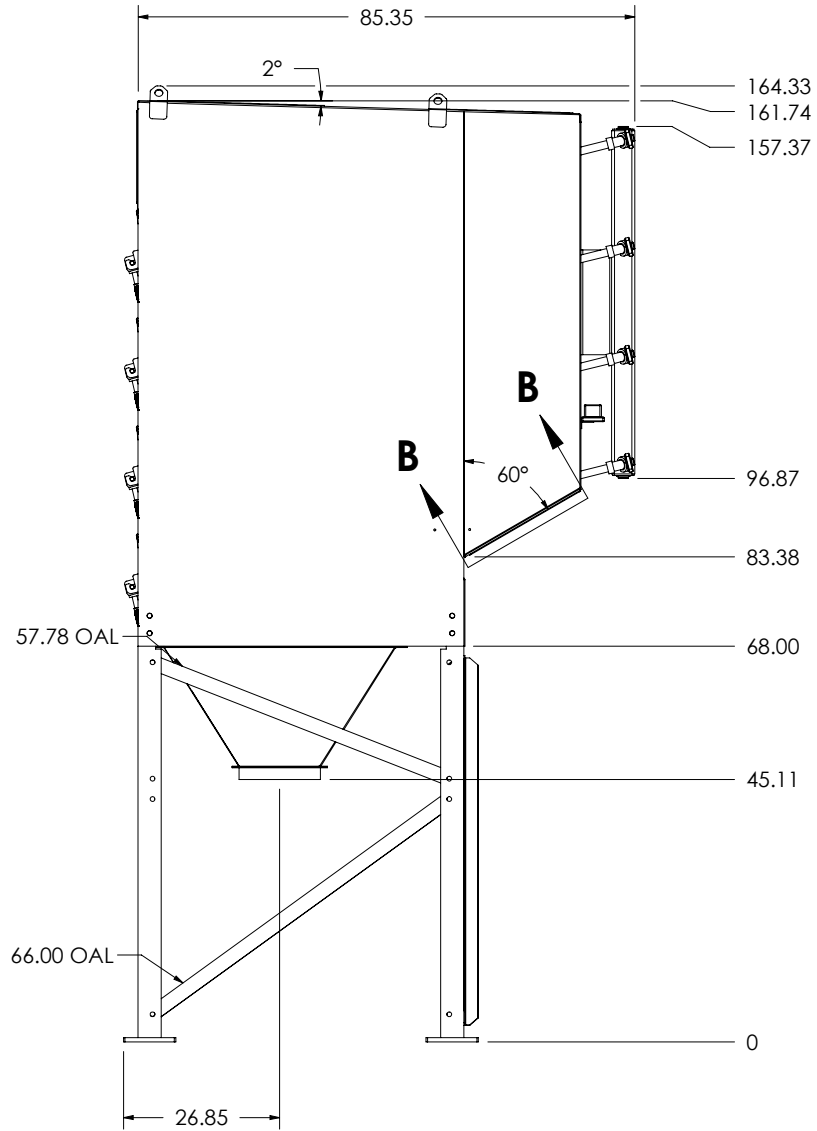
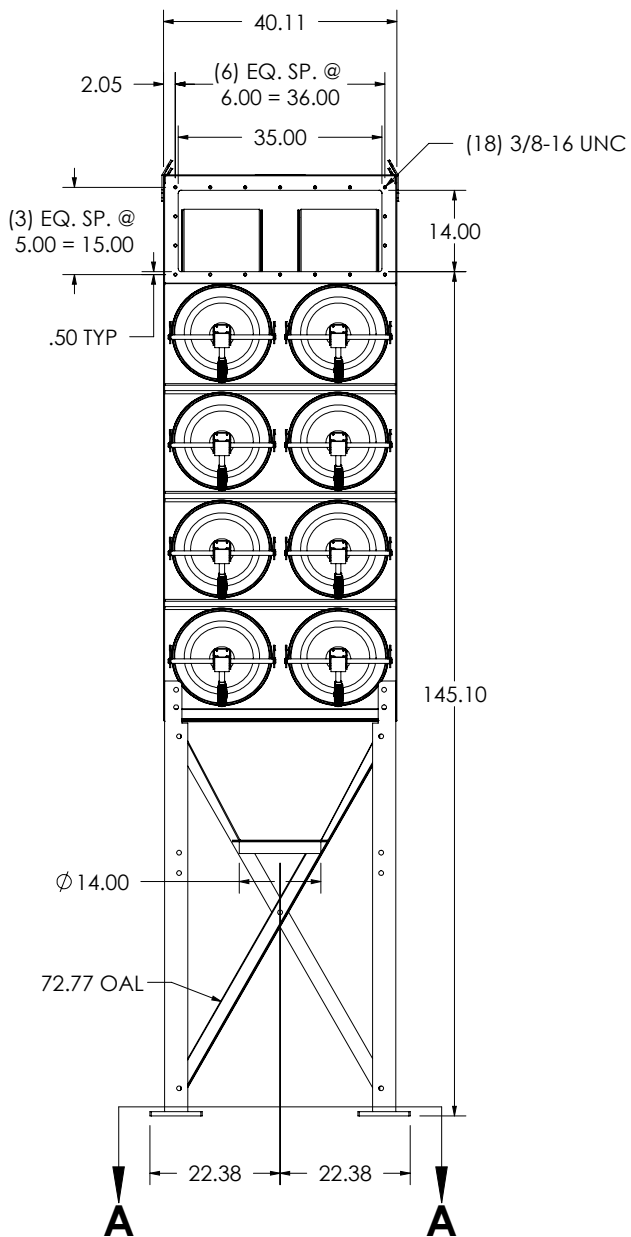


SECTION A-A



SECTION B-B




TCBI FAN SIZE	A	B
3	14.00	15.81
5-10	16.00	17.50
15-20	20.00	21.50
25-30	22.00	23.50

ACCESSORIES:

NOTES:

- COLLECTOR APPROX. WT: 2,800 LBS

REV	ECN	DATE	BY	CHK	DESCRIPTION
-	-	-	-	-	-



avani
environmental®

95 Cypress Dr.
Youngsville, NC 27597
Phone: 919-570-2862
www.avanienvironmental.com

DRAWING NO. BC 500007	SHEET 1 OF 1	ITEM -	REV. -
---------------------------------	-----------------	-----------	-----------

DRAWN BY JX
DATE 8/13/13
CHKD BY JX
DATE 8/13/13
SHOP NO. TH062615-001
SCALE 1:33

TITLE
SDC-AT-4-16