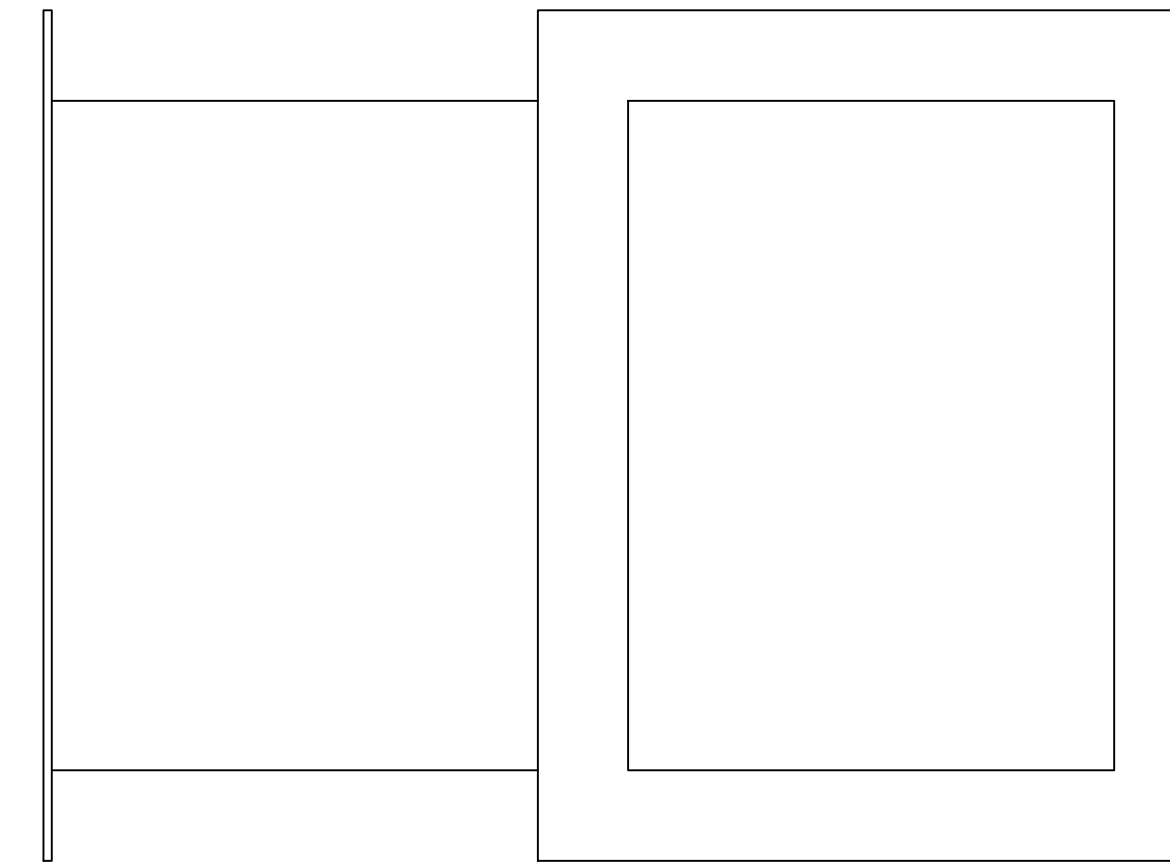
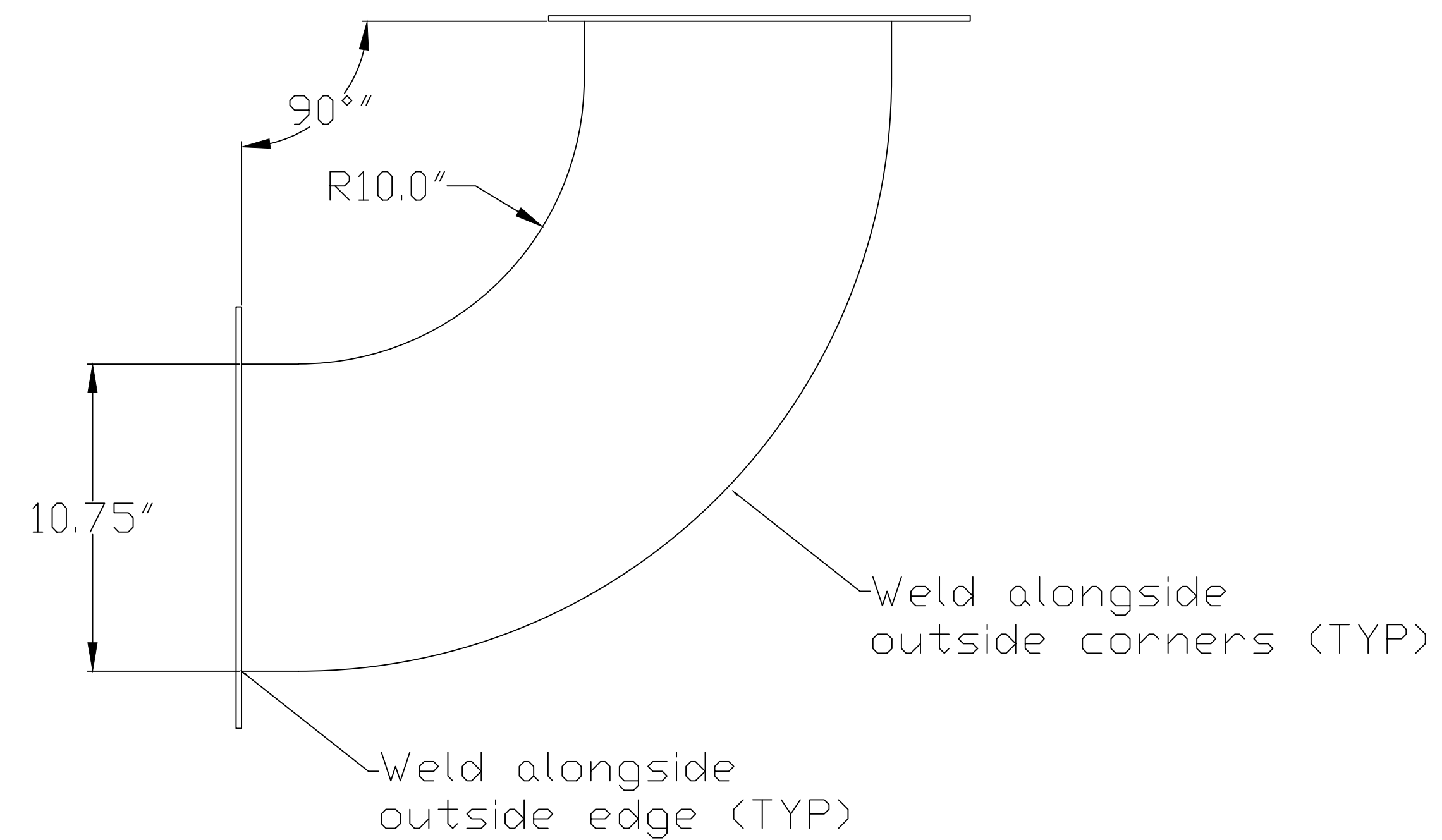
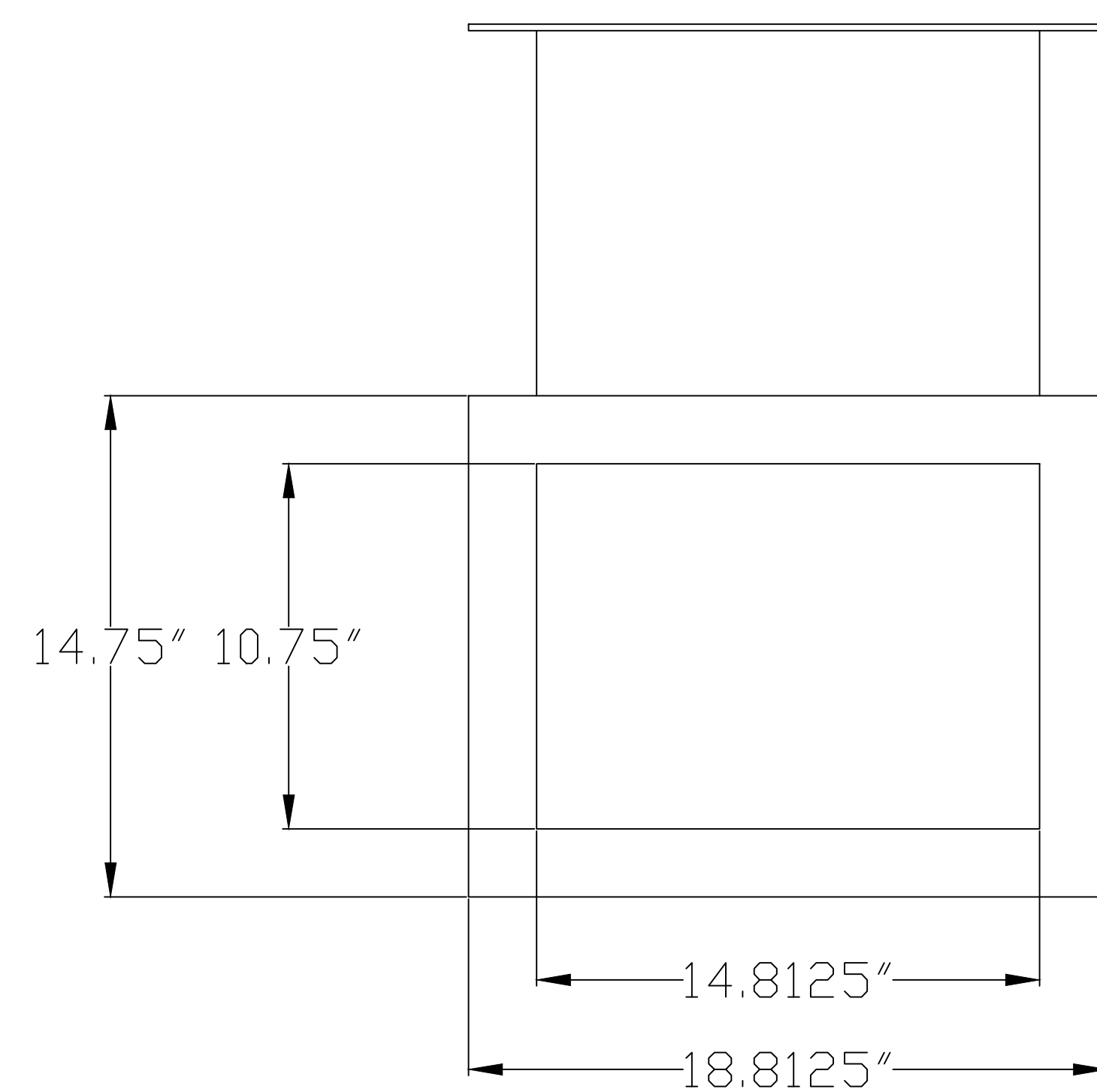


Silencer Elbow (90 deg)



Notes:

1. Will be used to attach silencer to inside machine
2. Thickness of metal is 3/16"



Avani Environmental Intl.
 95 Cypress Drive
 Youngsville, NC 27596
 P# 919-570-2862 F# 919-570-2863

Avani

Project: Midwest Hose and Spec

Drawing: 90 deg Silencer Elbow

Date: 8/17/12 Drawn by: MDT

Sheet No: 1

Rev.: 0