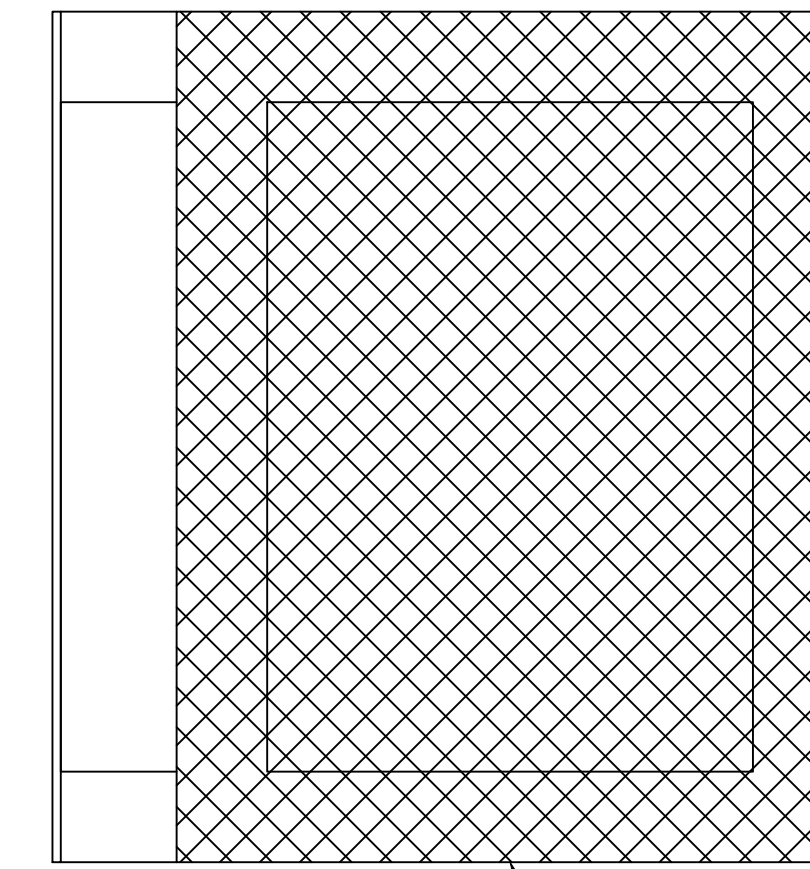
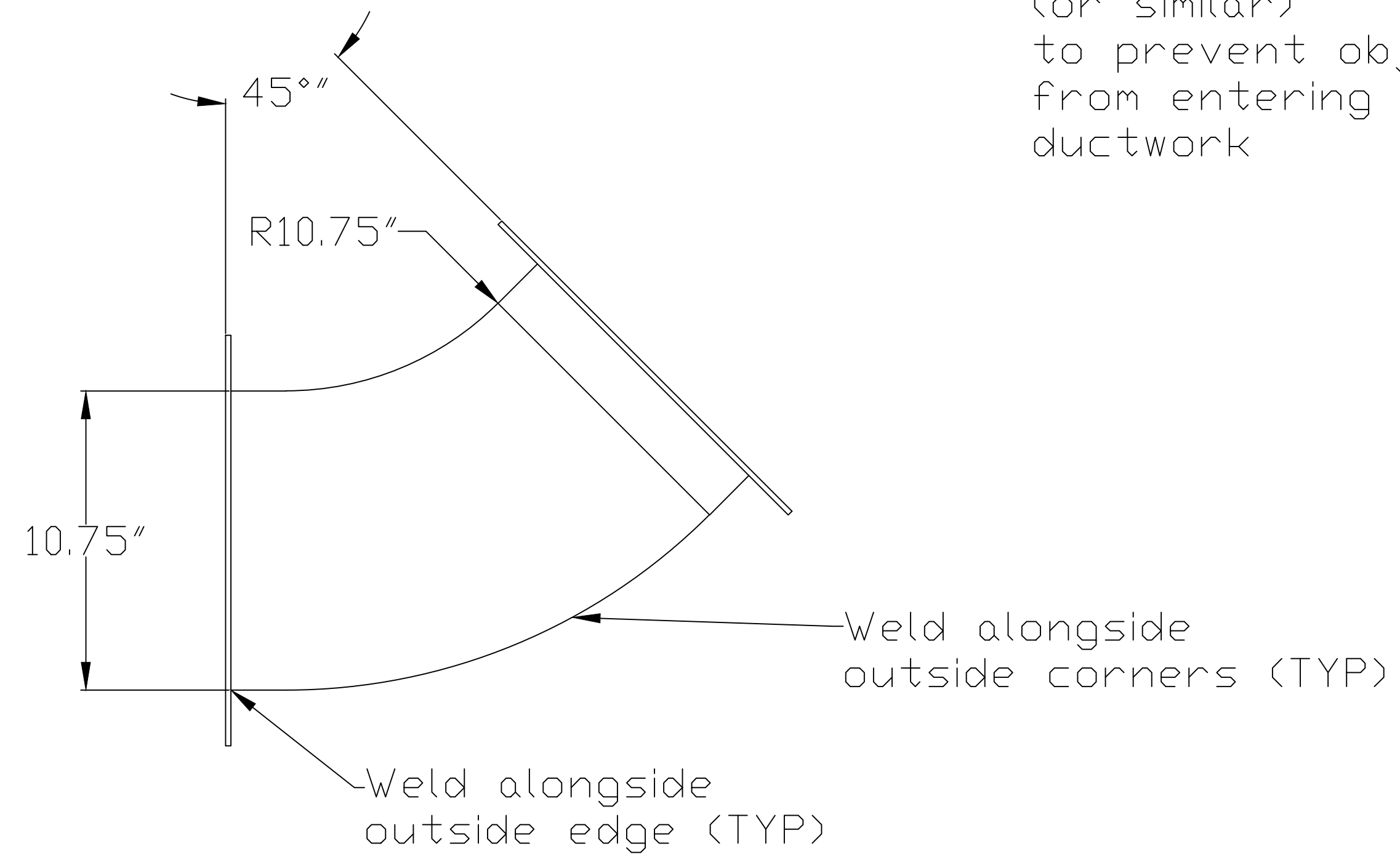
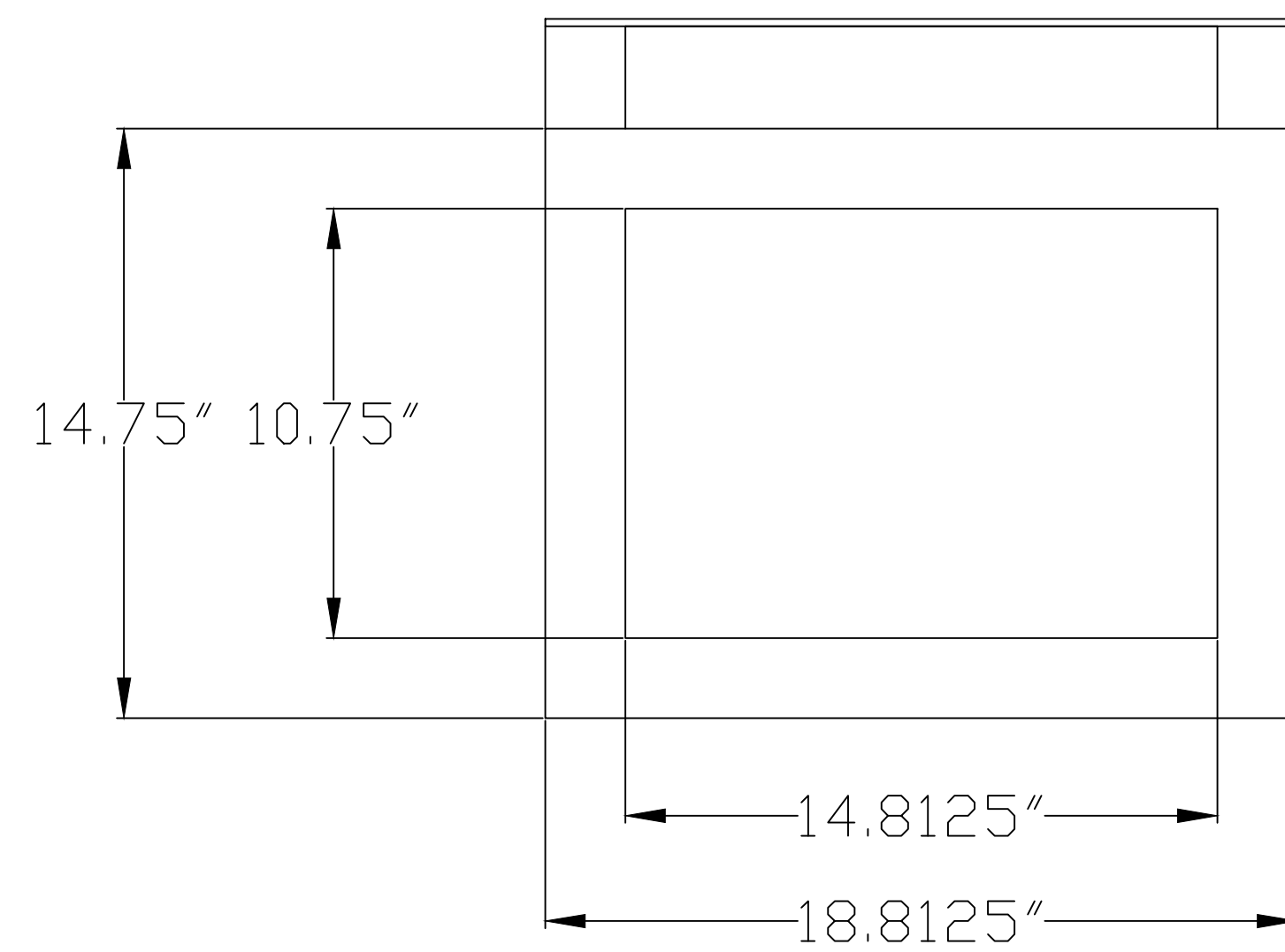


Silencer Elbow (45 deg)

- Notes:
 1. Will be used to attach silencer to inside machine
 2. Thickness of metal is 3/16"



Expanded Metal
(or similar)
to prevent objects
from entering
ductwork

Avani Environmental Intl.
 95 Cypress Drive
 Youngsville, NC 27596
 P# 919-570-2862 F# 919-570-2863

Avani

Project: Midwest Hose and Spec

Drawing: 45 deg Silencer Elbow

Date: 8/17/12 | Drawn by: MDT

Sheet No: 1

Rev.: 0