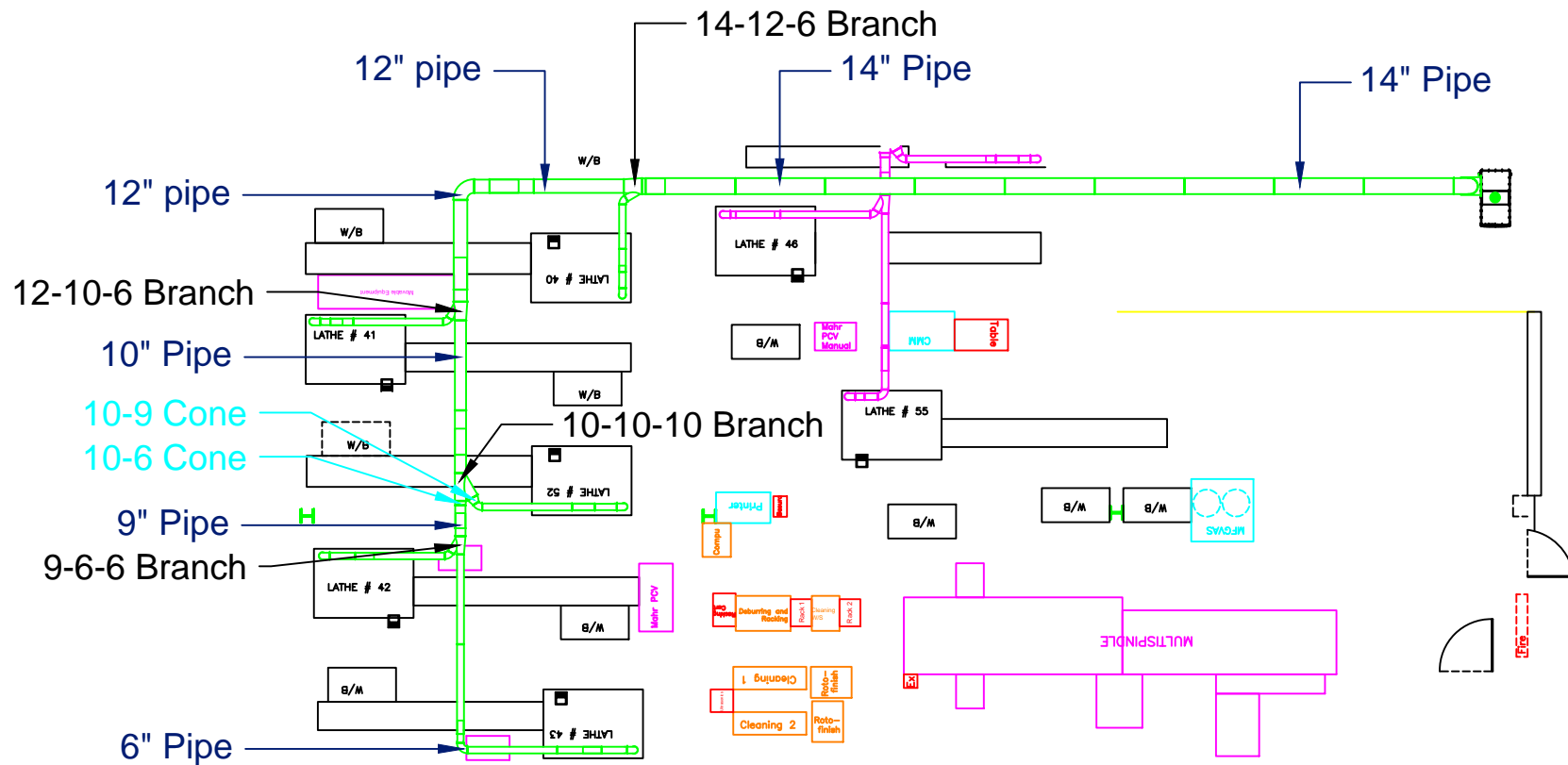


# Medtronics



System E

PRELIMINARY

This product has not been tested for seismic calculations.

Avani Environmental Intl. Inc. 95 Cypress Drive Youngsville, NC 27596 P# 919-570-2862 F# 919-570-2863		<h2 style="color: blue;">Avani</h2>
Project: Medtronics Drawing: System C		
Date: 3/26/15		Drawn by: DJT
Sheet No:		Rev A