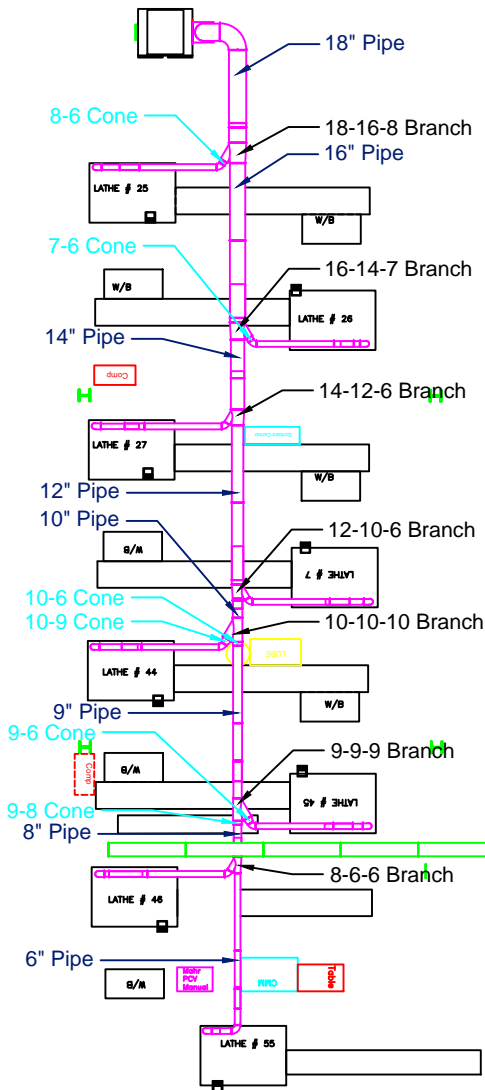


# Medtronic



System D

PRELIMINARY

This product has not been tested for seismic calculations.

Avani Environmental Intl. Inc.  
 95 Cypress Drive  
 Youngsville, NC 27596  
 P# 919-570-2862 F# 919-570-2863

Avani

Project: Medtronic

Drawing: System D

Date: 3/26/15

Drawn by: DJT

Sheet No:

Rev A