

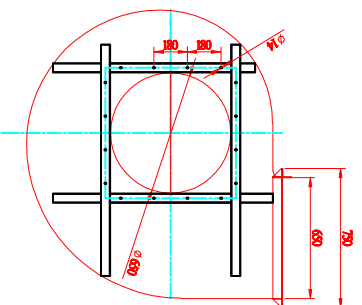
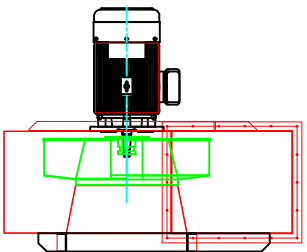
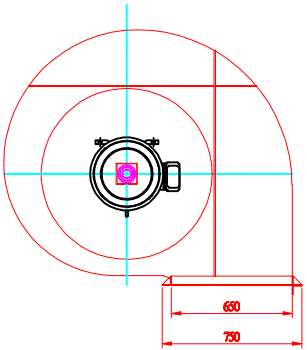
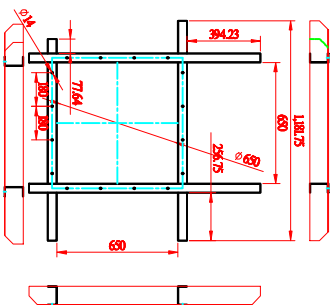
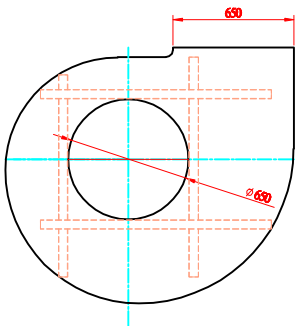
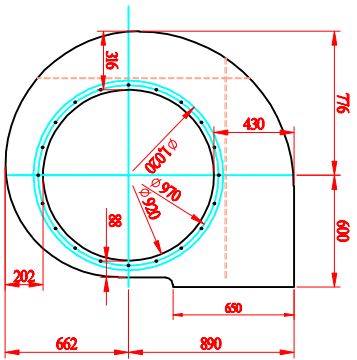
DO NOT SCALE

IF IN DOUBT ASK



Revisions		Date	Approved
Rev	Description		

**DBN-500 blower**  
**50HP x 1 pc\*4P\*60Hz\*230/460v**  
**(top mount)**



**OSKAR ENVIRONMENTAL, INC.**  
 95 Cypress Drive  
 Youngsville, NC 27596

**Sales Department:**  
 (919) 570-2862  
 sales@oskarsales.com

Drawn by:	2010-04-06	Name	XXXXX	Part Number:	DBN-500	Title:	Blower
Checked by:						Size	Scale
This drawing is confidential and is the exclusive property of Oskar Environmental. No unauthorized use/copy or disclosure is to be made and it is returned whenever required.						A	1 = 1
						Drawing Number:	SDC-50-32MID (Medix)