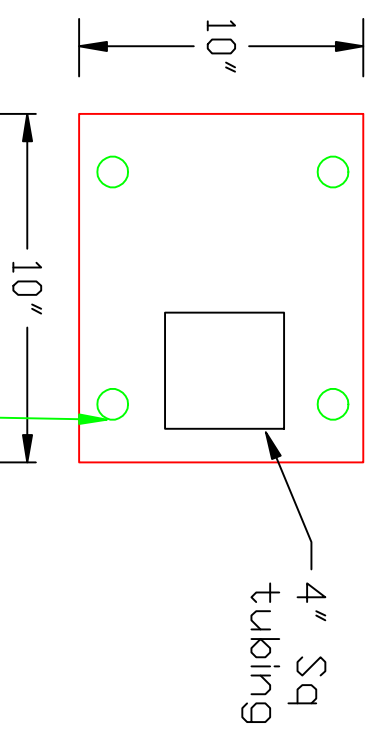
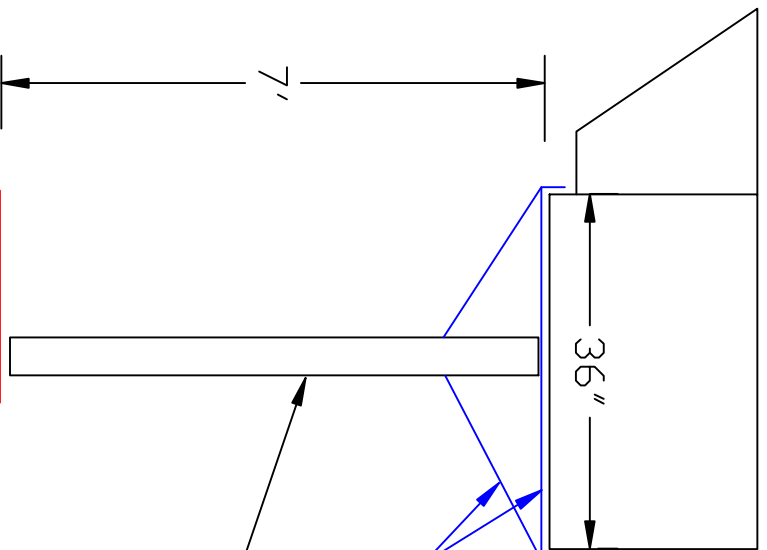


# Stand for A-Mist Absolent

Side View

Plan View of Foot Plate



Base and gussets that the A-Mist will sit in.

4" Square Tubing  
It is centered on the base and offset of the foot plate.

Foot Plate,  
10" x 10" and the 4" Tubing  
is offset.

Avanti Environmental 95 Cypress Drive 27596 Raleighville, NC P# 919-570-2862 F# 919-570-2863	<b>Avanti</b>
Project: Measurement Spec.	
Drawing: A-Mist Stand	
Date: 4/11/11 Drawn by: RAV	
Sheet No:	