

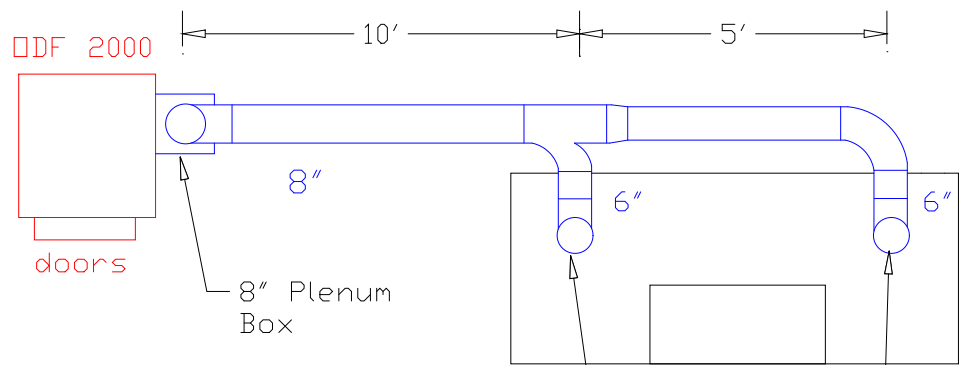
# Ductwork Layout for ODF 2000

**Notes:**

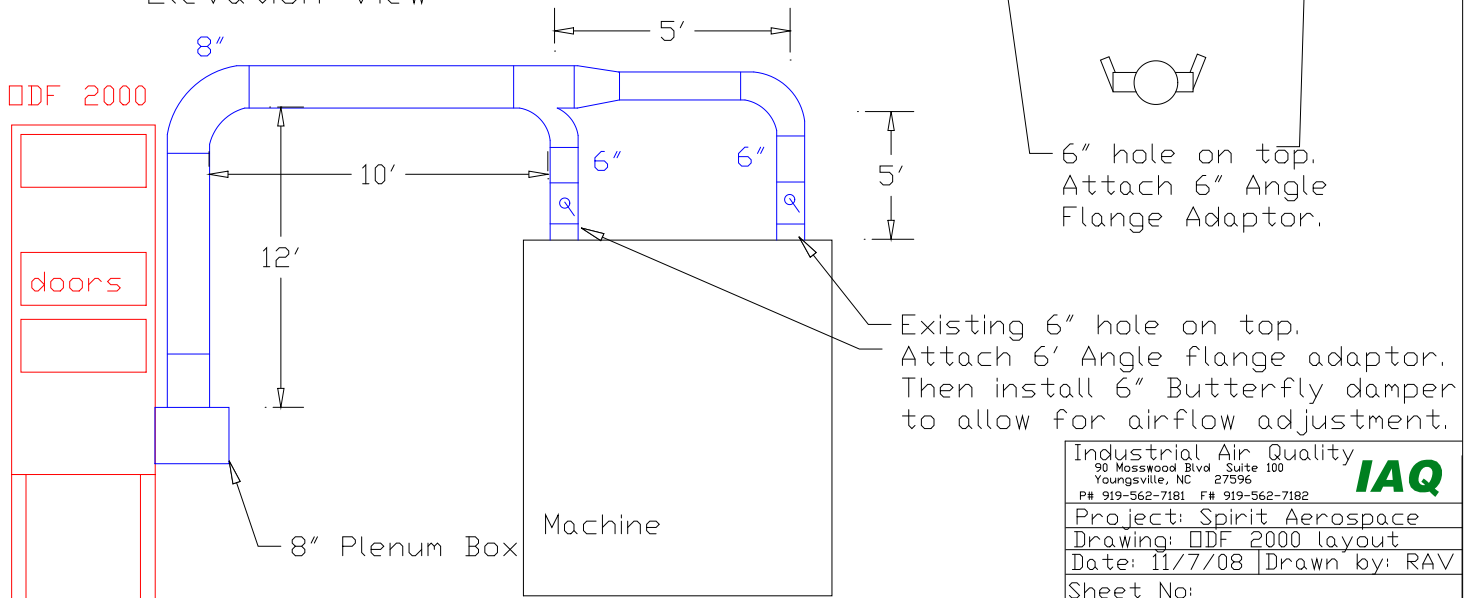
A) Motor: 3.5HP at 460 volts full load amps are 5.5

B) Drain line: 3/4" PVC P-Trap with ball valve

## Plan View



## Elevation View



Industrial Air Quality	
90 Mosswood Blvd Suite 100	
Youngsville, NC 27596	
P# 919-562-7181	F# 919-562-7182
Project: Spirit Aerospace	
Drawing: ODF 2000 layout	
Date: 11/7/08	Drawn by: RAV
Sheet No:	

