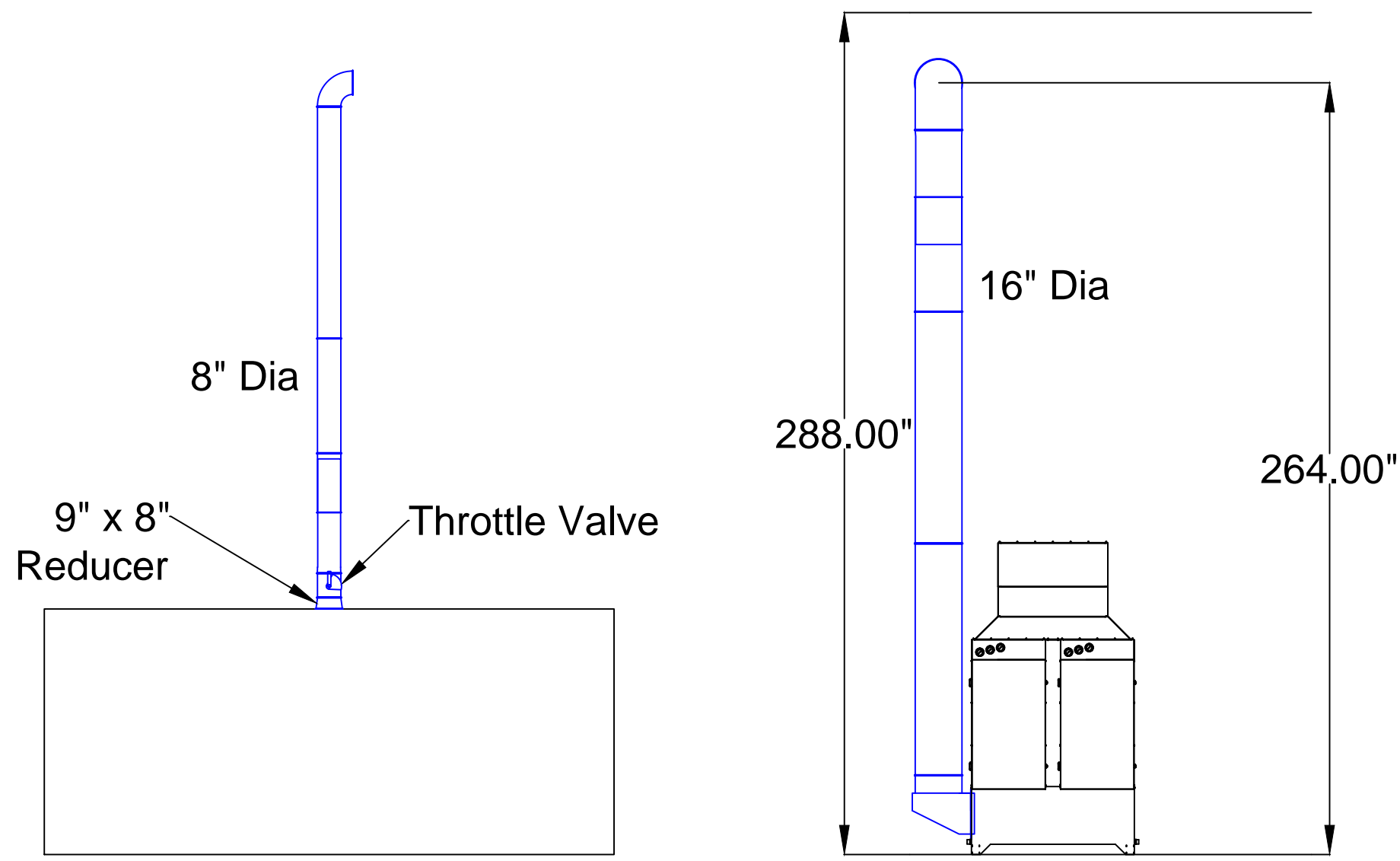
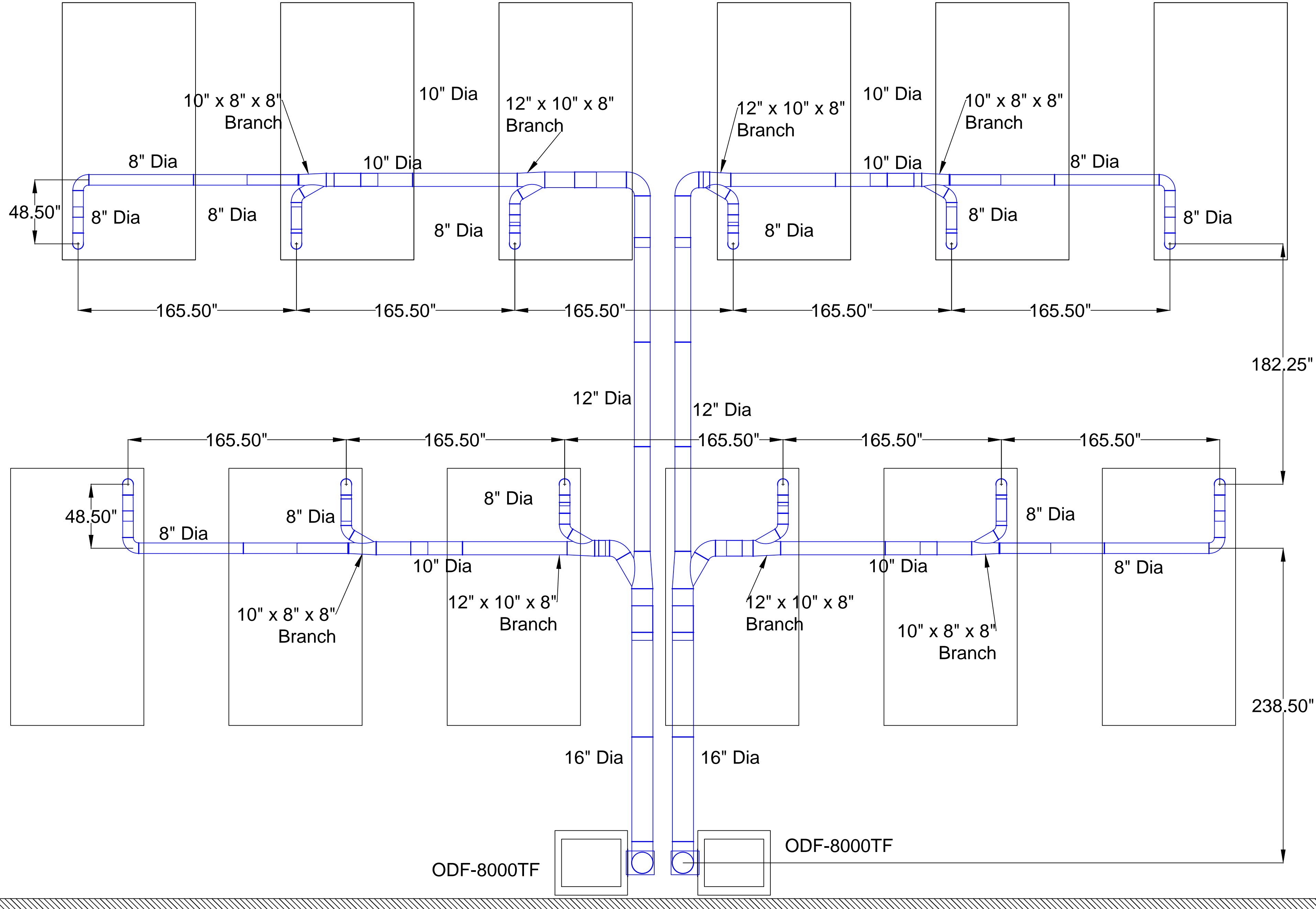


# KemLab Duct Layout



- Notes:
1. Absolent units are ODF-8000TF
  2. Tubing is Jacobs duct
  3. Machines are Makino a51nx Machines with 310 PSI coolant systems
  4. Scaled at 1:50 on 24" x 36" paper

Avani Environmental Intl. 95 Cypress Drive Youngsville, NC 27596 P# 919-570-2862 F# 919-570-2863		<b>Avani</b>
Project: KemLab		
Drawing: Duct Layout		
Date: 1/1/13	Drawn by:MDT	
Sheet No: 1 Of 1	Rev.: 0	