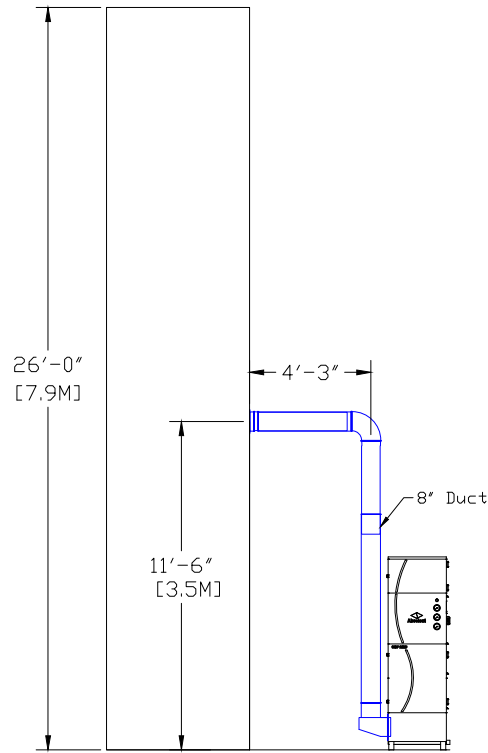
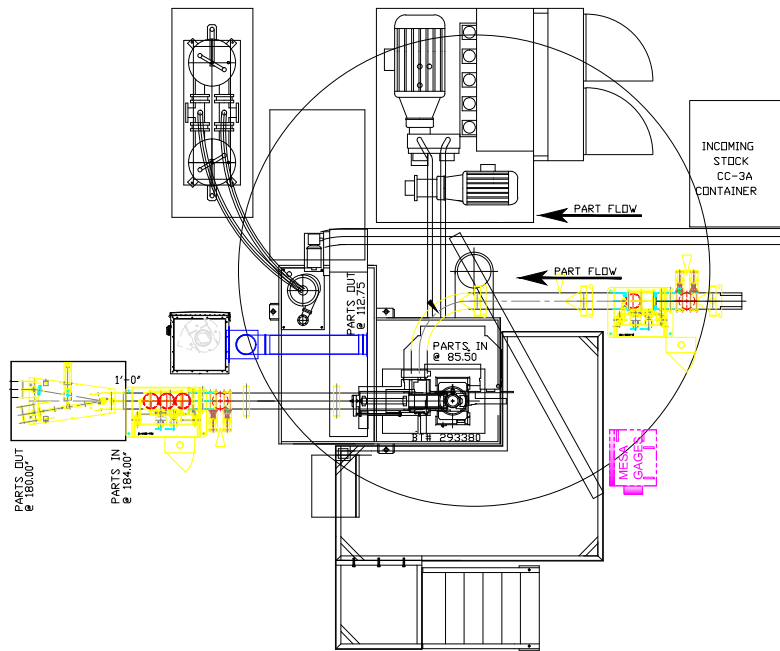


# Magna Powertrain Layout #2



Absolent Only



Absolent with  
Machine

- Notes:
1. Jacobs Tubing to install to DDF-2000
  2. Duct self-supporting

Avani Environmental Intl. Inc.  
95 Cypress Drive  
Youngsville, NC 27596  
P# 919-570-2862 F# 919-570-2863

**Avani**

Project: Magna Powertrain  
Drawing: Duct Layout 2  
Date: 10-24-13 Drawn by: MDT  
Sheet No: 1 of 1 Rev 1