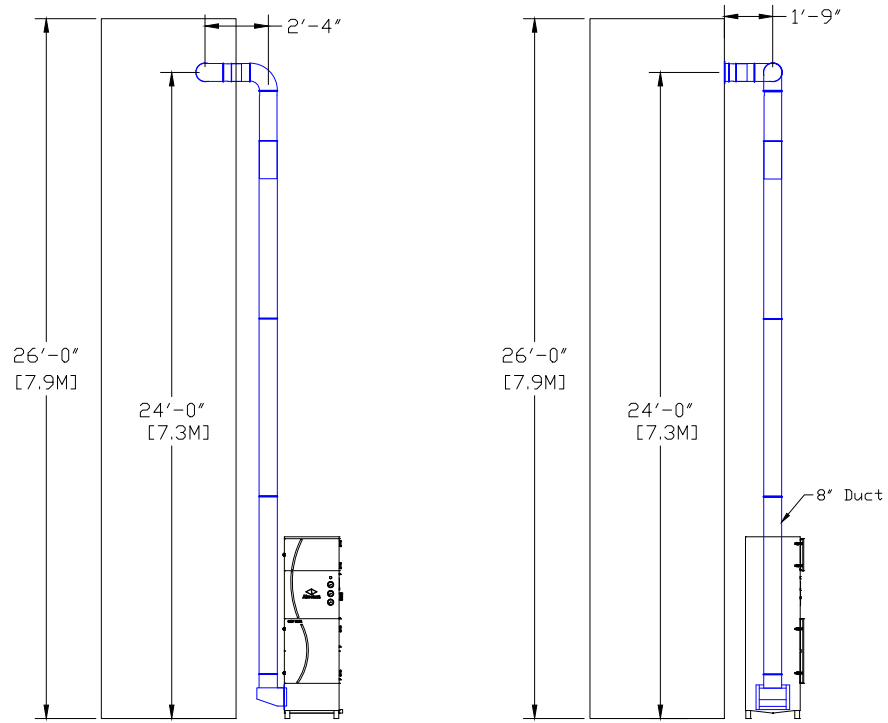
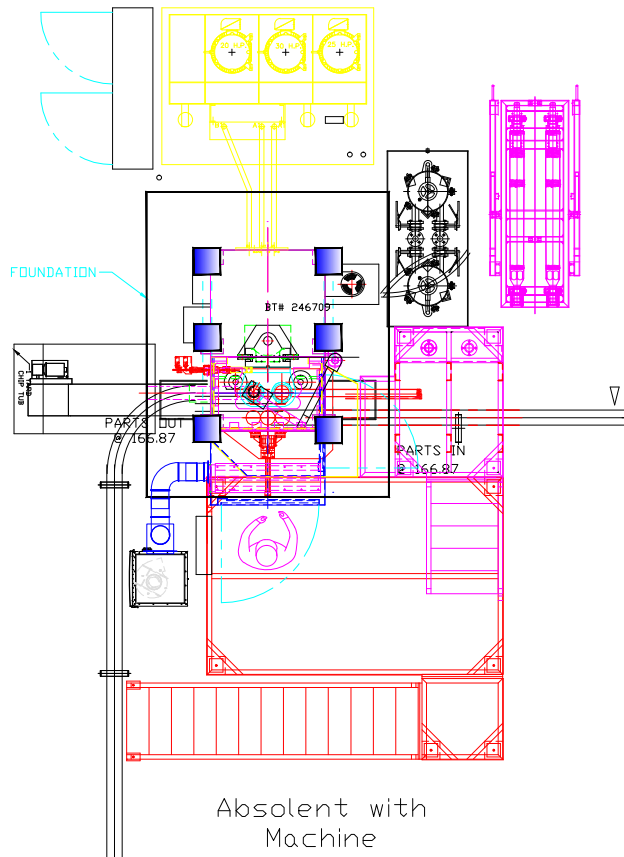


# Magna Powertrain Layout #1



Absolent Only



Absolent with  
Machine

- Notes:  
 1. Jacobs Tubing to install to  
 ODF-2000  
 2. Duct self-supporting

Avani Environmental Intl. Inc.  
 95 Cypress Drive 27596  
 Youngsville, NC  
 P# 919-570-2862 F# 919-570-2863

**Avani**

Project: Magna Powertrain

Drawing: Duct Layout 1

Date: 10-24-13 Drawn by: MDT

Sheet No: 1 of 1 Rev 1