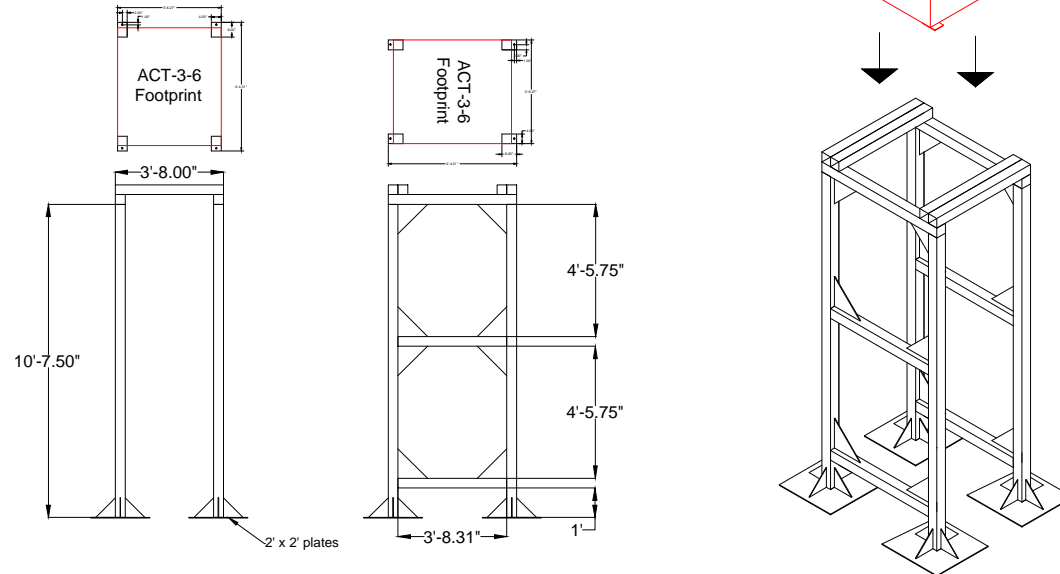


Local 37 Grinding Room

Notes:

1. Act-3-6 Collector in red
2. Support system in white
3. Will have to cut roof to fit support structure above roof
4. Will have to weld top connection tubing pieces together on site.
5. All tubing used in support system is 4" x 4" x .25" wall



Avani Environmental Intl.
 95 Cypress Drive
 Youngsville, NC 27596
 P# 919-570-2862 F# 919-570-2863

Avani

Project: Local 37 Grinding Area

Drawing: Duct Layout

Date: 2/20/2013

Drawn by:MDT

Sheet No: 1 Of 1

Rev.:0