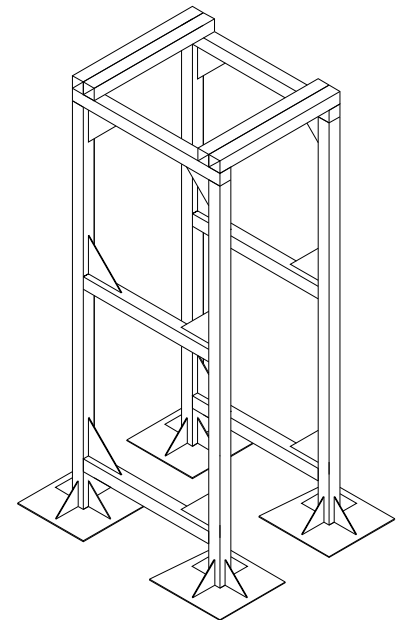
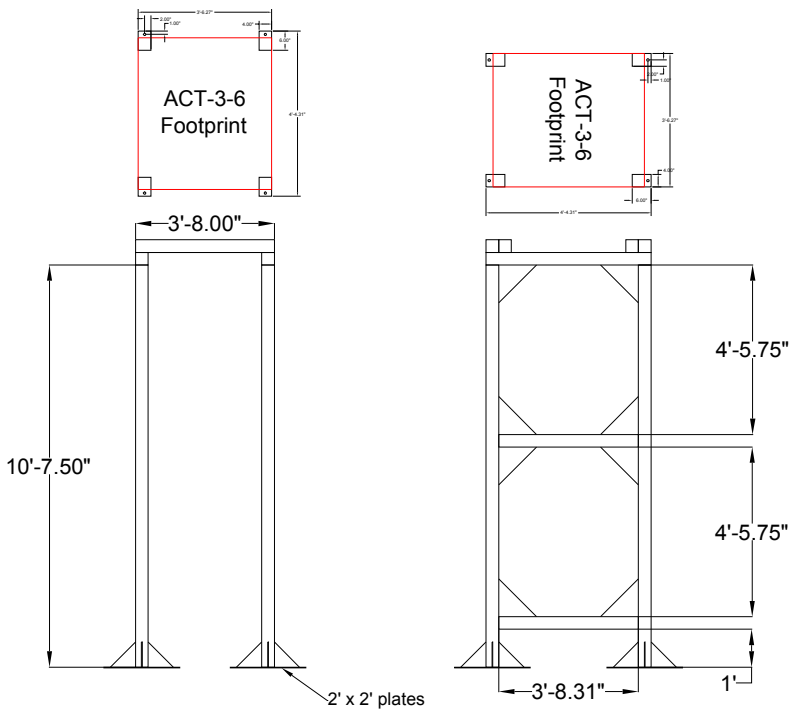
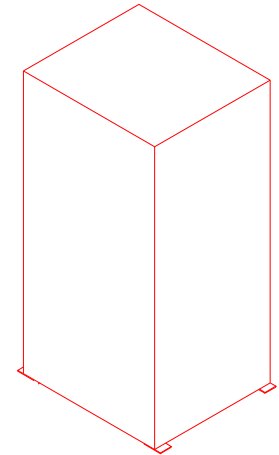


# District 5 Grinding Room

**Notes:**

1. Act-3-6 Collector in red
2. Support system in white
3. Will have to cut roof to fit support structure above roof
4. Will have to weld top connection tubing pieces together on site.
5. All tubing used in support system is 4" x 4" x .25" wall



Avani Environmental Intl.  
 95 Cypress Drive  
 Youngsville, NC 27596  
 P# 919-570-2862 F# 919-570-2863



**Project: District 5 Grinding Area**

**Drawing: Duct Layout**

**Date: 9/16/2013**

**Drawn by:MDT**

**Sheet No: 1 of 1**

**Rev :0**